

[54] TOY TRACTOR

[75] Inventor: Patrick T. A. Burdock, St. Peters, Broadstairs, England

[73] Assignee: Rovex Limited, London, England

[**] Term: 14 Years

[21] Appl. No.: 923,738

[22] Filed: Jul. 11, 1978

[30] Foreign Application Priority Data

Jan. 13, 1978 [GB] United Kingdom 984043/78

[51] Int. Cl. D21-01

[52] U.S. Cl. D21/132

[58] Field of Search D21/128, 129, 131, 132, D21/134, 136, 137, 78, 79; 280/87.01; 46/20, 202, 204, 206, 214, 221, 222, 223, 219

[56]

References Cited

U.S. PATENT DOCUMENTS

D. 170,358 9/1953 Hiller D21/132

FOREIGN PATENT DOCUMENTS

2300822 7/1974 Fed. Rep. of Germany 280/87.01

OTHER PUBLICATIONS

Hong Kong Toys, 1976 Catalog, p. 100, Toy Locomotive.

Primary Examiner—Charles A. Rademaker
Attorney, Agent, or Firm—V. M. Wigman

[57]

CLAIM

The ornamental design for a toy tractor, as shown and described.

DESCRIPTION

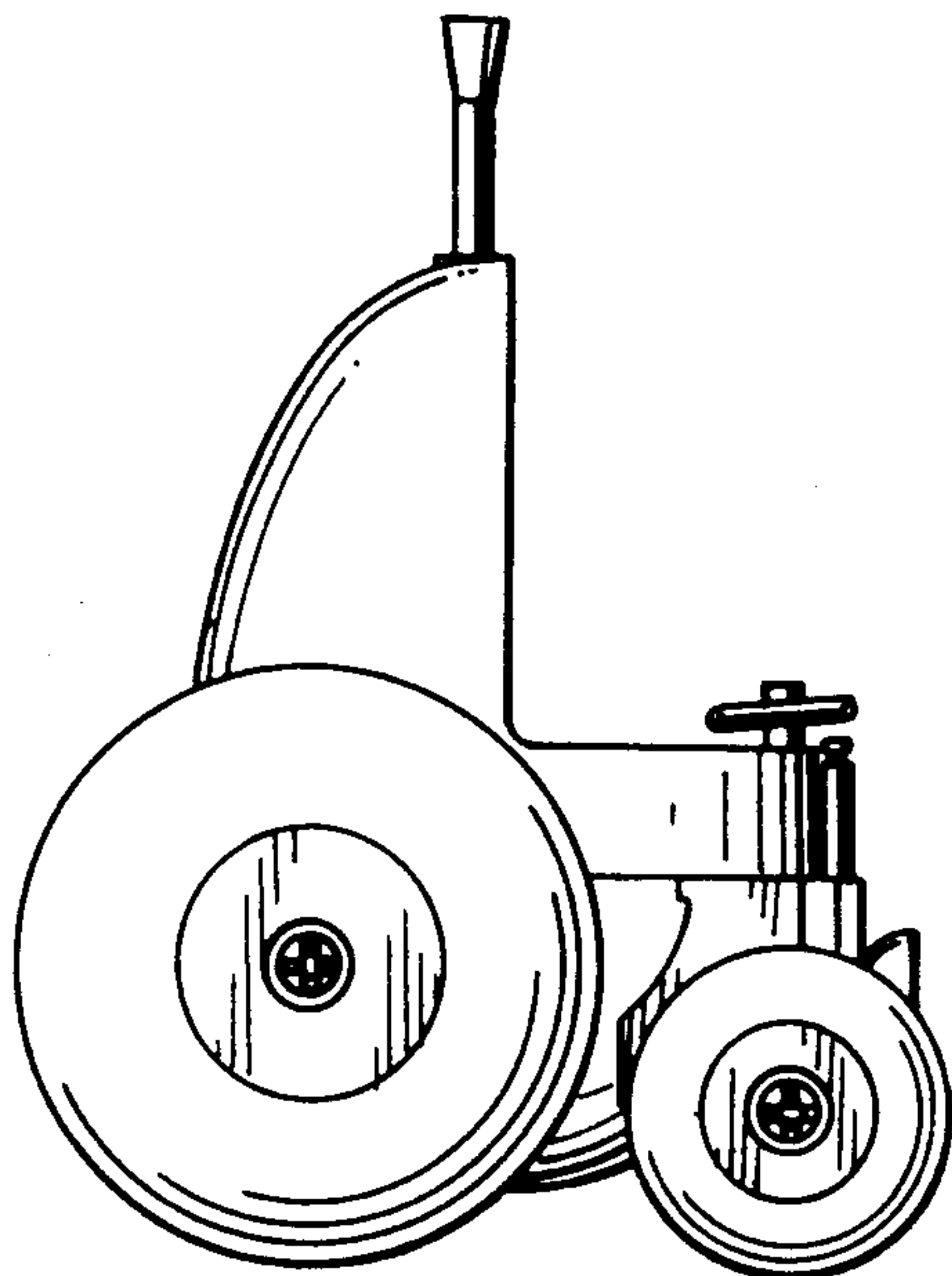
FIG. 1 is a side elevational view of a toy tractor showing my new design;

FIG. 2 is a front perspective view thereof;

FIG. 3 is a top plan view thereof;

FIG. 4 is a rear elevational view thereof;

FIG. 5 is a bottom plan view thereof.



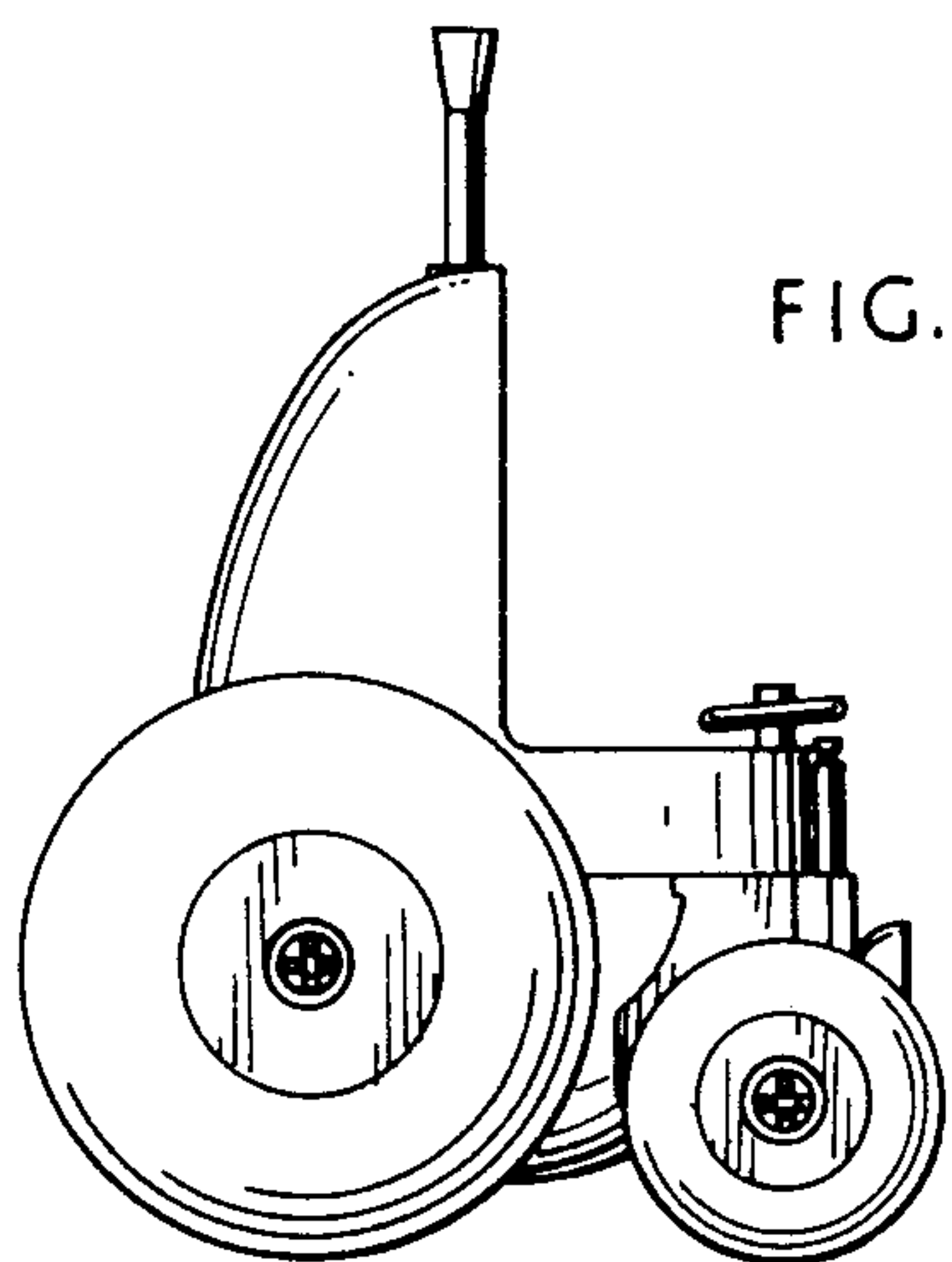


FIG. 1.

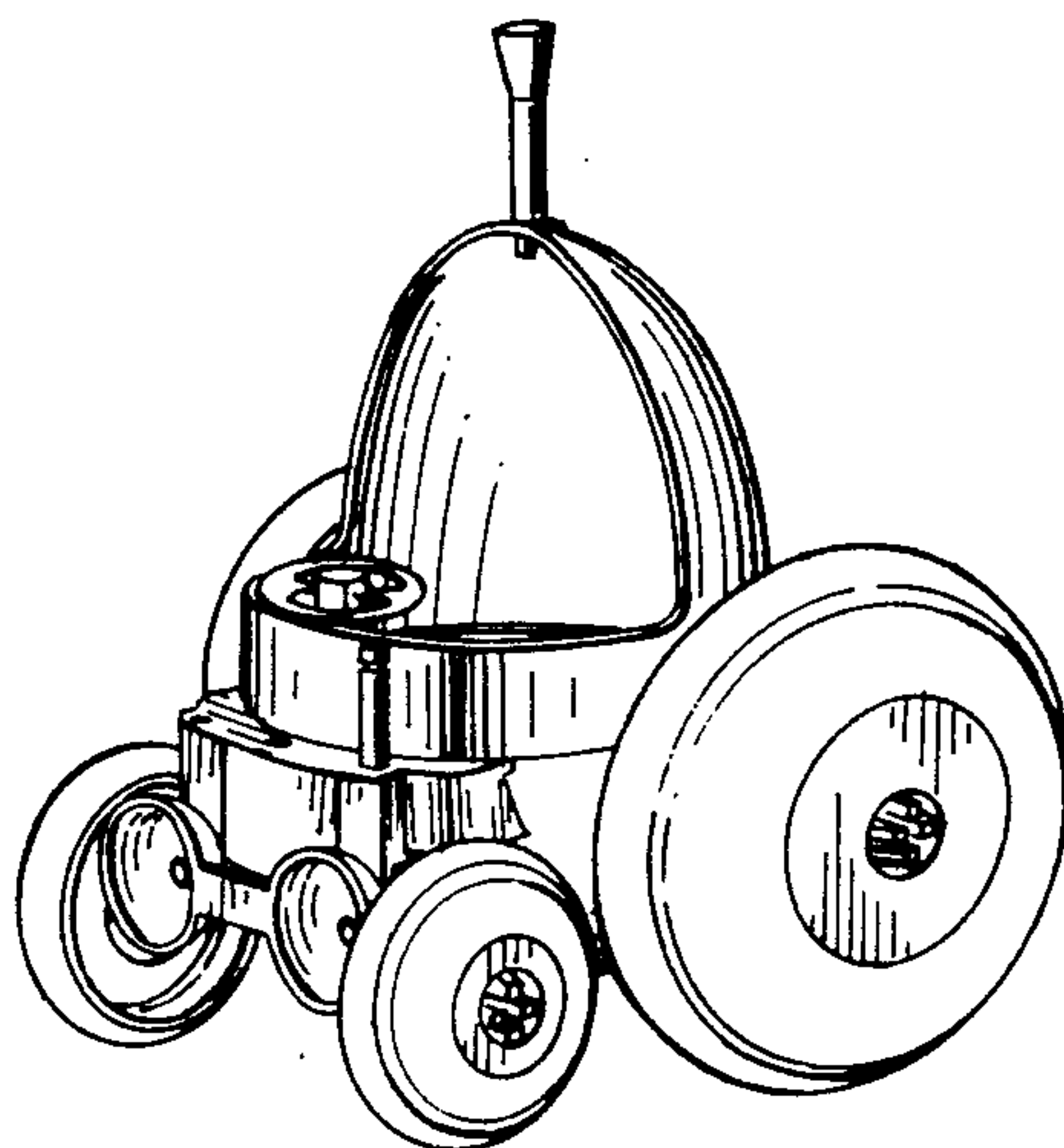


FIG. 2.

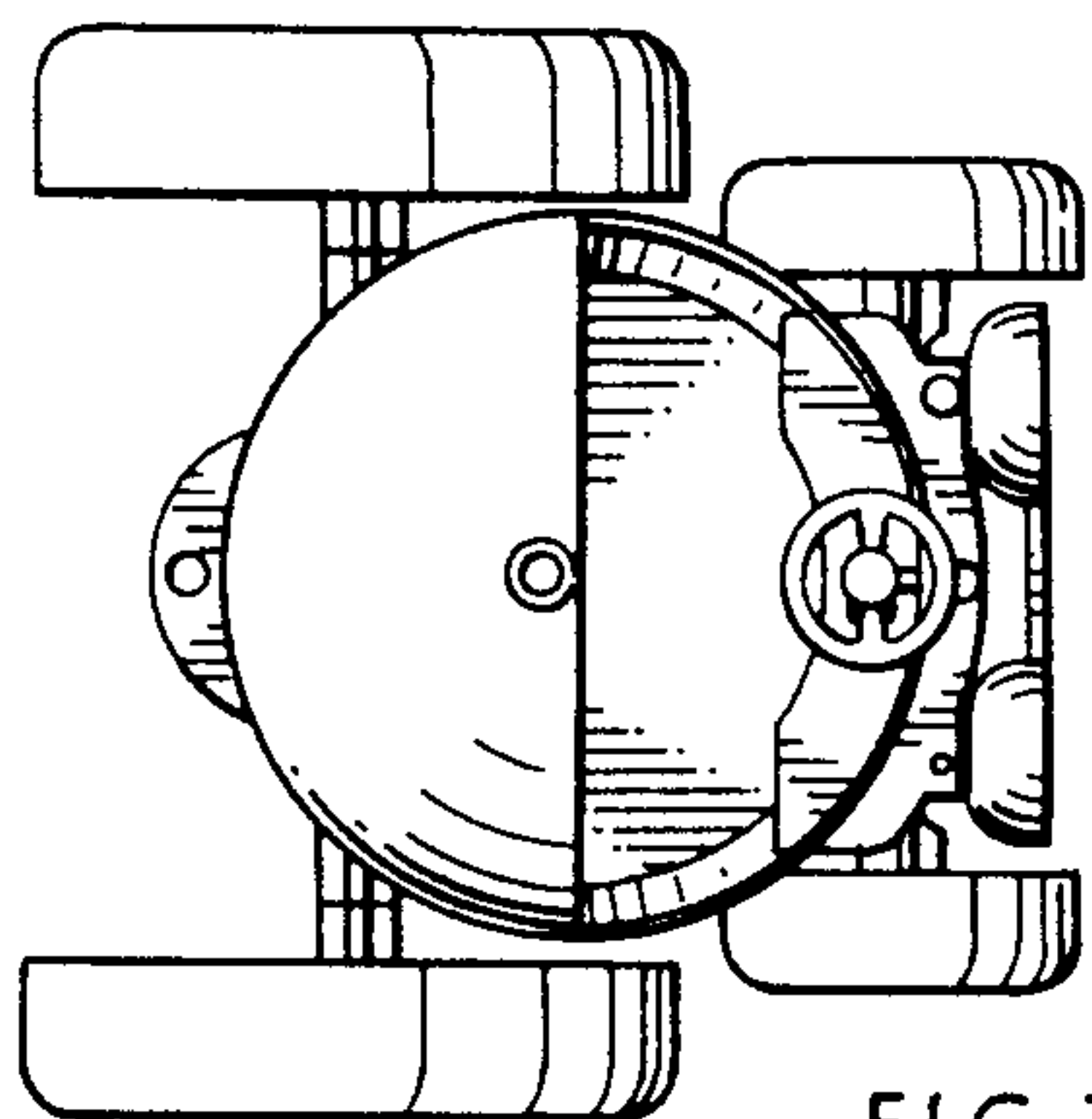


FIG. 3.

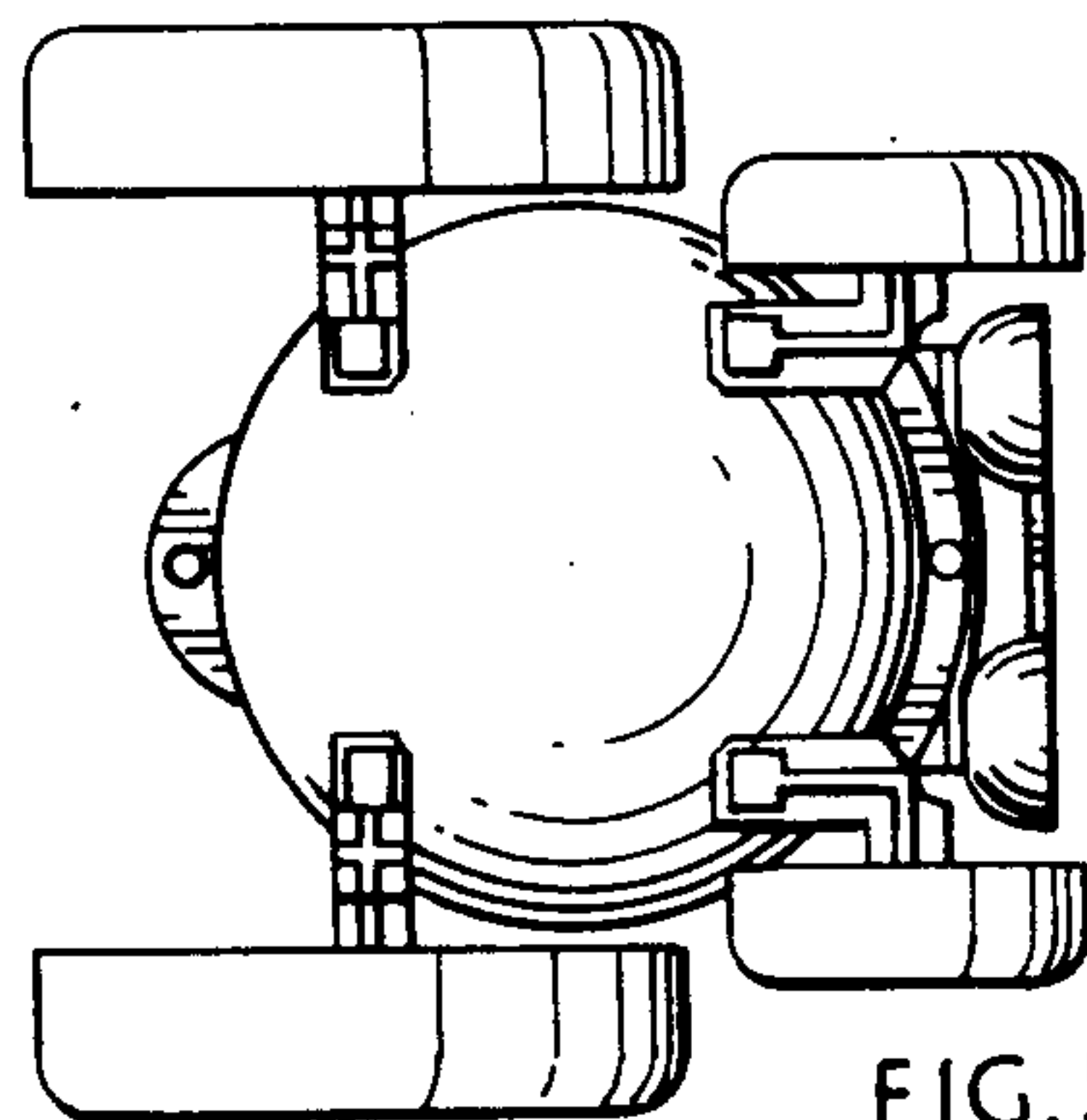


FIG. 5.

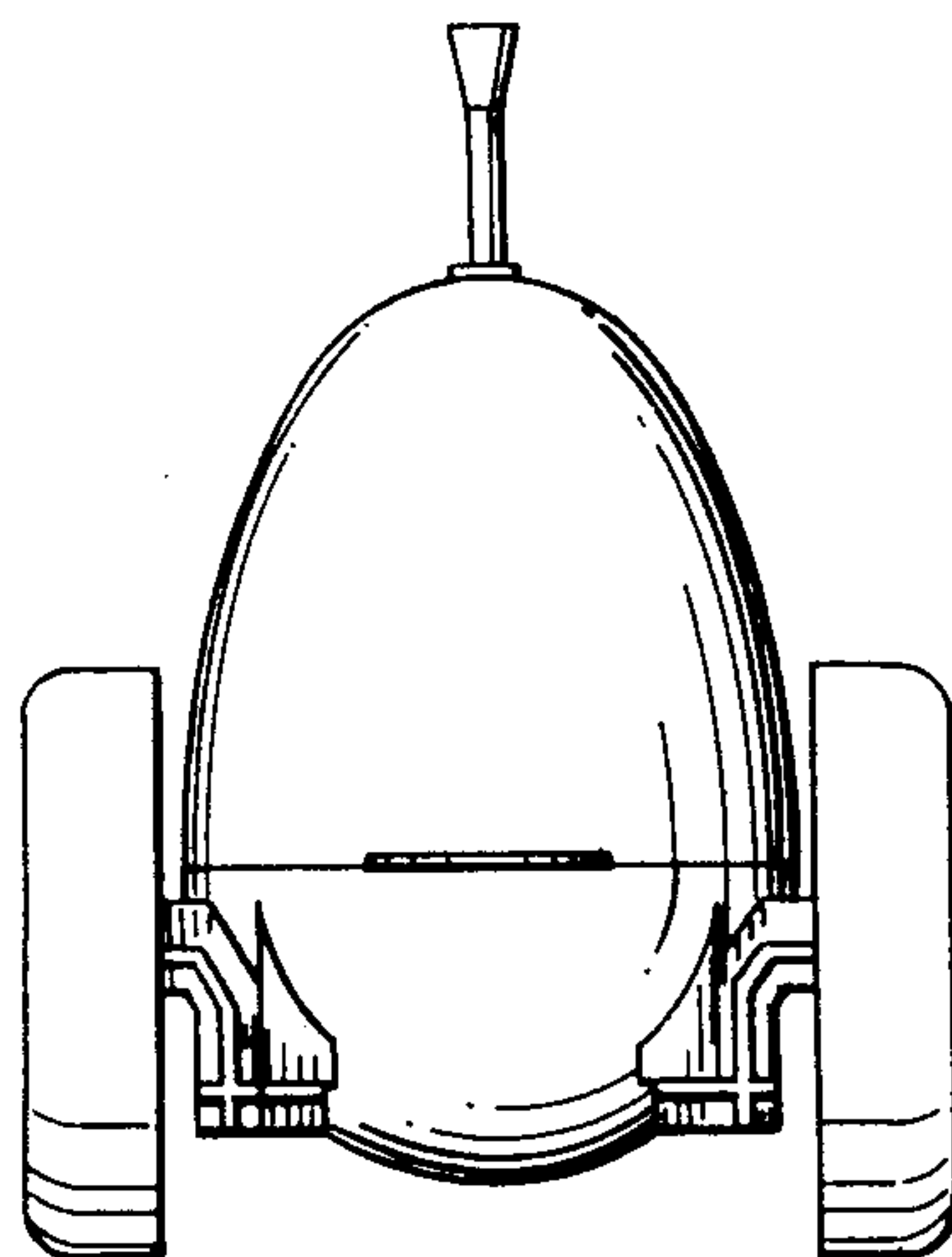


FIG. 4.