

[54] TOY STOVE

[75] Inventors: Henry Orenstein; George Decker, both of Union, N.J.; Floyd E. Schlau, East Greenwich, R.I.; Maureen Patterson, Brighton, Mass.; Peter M. Santaw, Batavia, Ohio; Steven R. D'Aguanno, Greenville, R.I.

[73] Assignee: Hasbro Industries, Inc., Pawtucket, R.I.

[**] Term: 14 Years

[21] Appl. No.: 905,097

[22] Filed: May 8, 1978

[51] Int. Cl. D21-01

[52] U.S. Cl. D21/122

[58] Field of Search D21/59, 109, 121, 122; D6/5, 11; D7/111, 112, 113, 114; 219/359, 200; 46/1 R, 14, 39

[56] References Cited

U.S. PATENT DOCUMENTS

D. 97,066 10/1935 Heidbreder D21/122

FOREIGN PATENT DOCUMENTS

13872 3/1956 Fed. Rep. of Germany 46/14

OTHER PUBLICATIONS

Motgomery Ward Catalog, Xmas, 1976, p., 348, Toy Stove at "A".

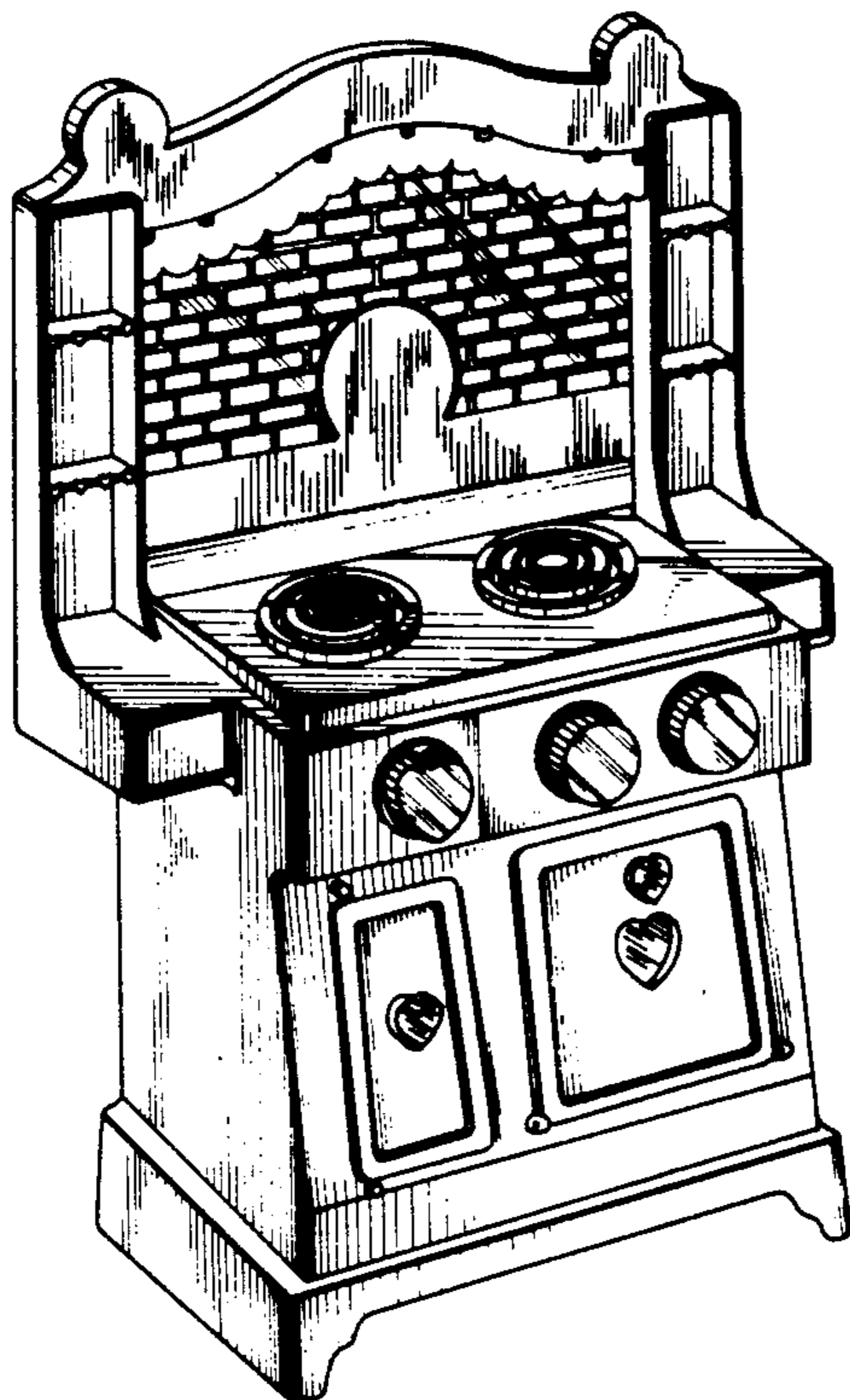
Primary Examiner—Charles A. Rademaker
Attorney, Agent, or Firm—Elliot A. Salter

[57] CLAIM

The ornamental design for a toy stove, substantially as shown.

DESCRIPTION

FIG. 1 is a front perspective view of a toy stove showing our new design;
FIG. 2 is a side elevational view thereof shown on an enlarged scale;
FIG. 3 is a top plan view thereof;
FIG. 4 is a rear elevational view thereof; and
FIG. 5 is a bottom plan view thereof.



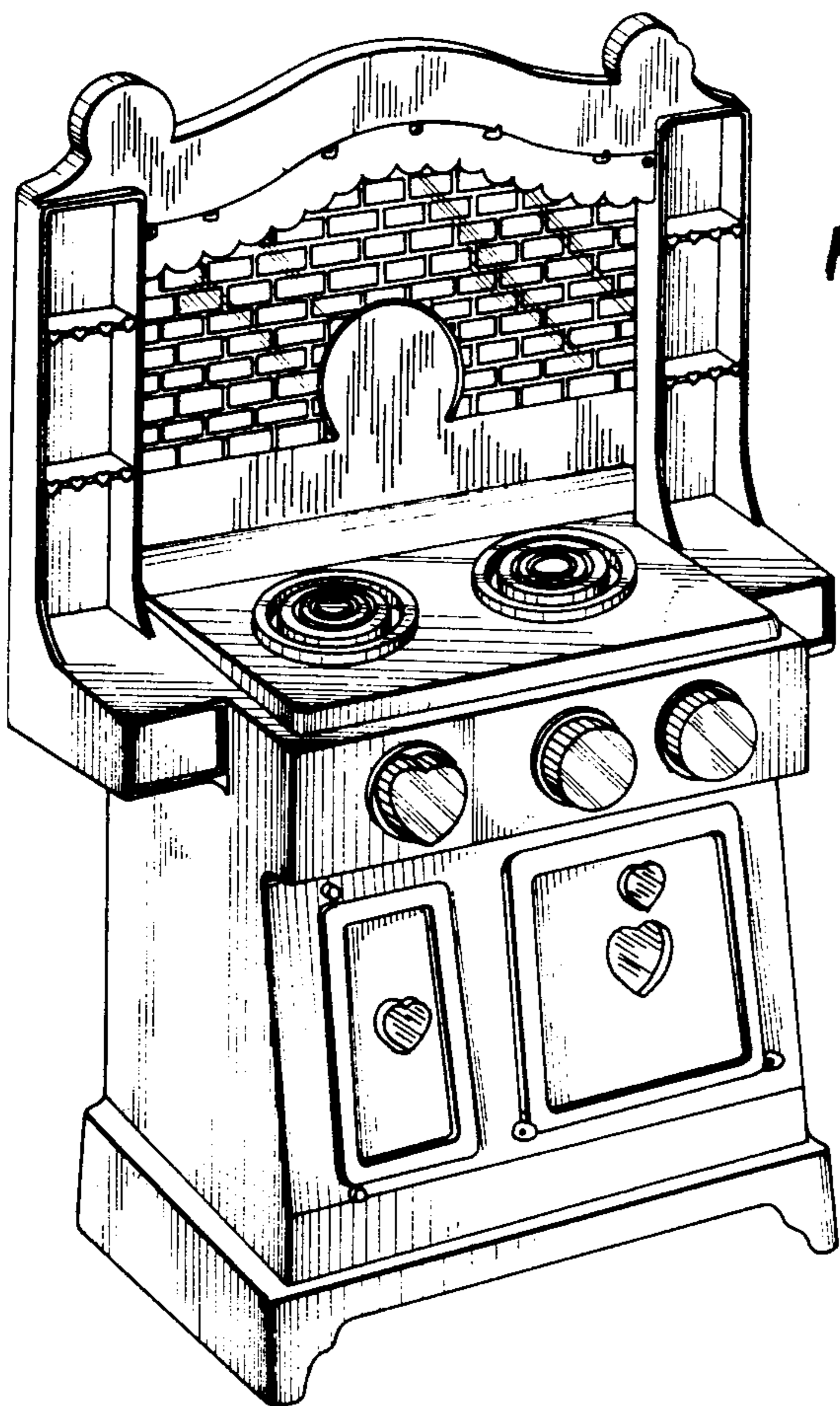


FIG. 1

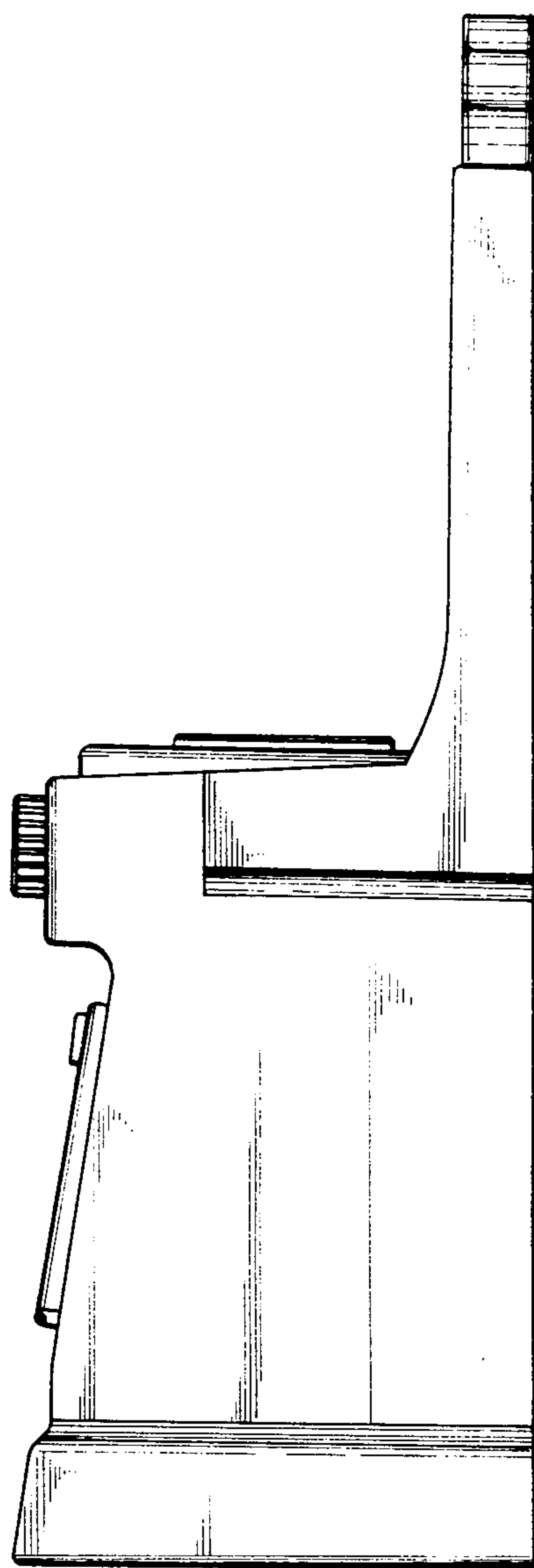


FIG. 2

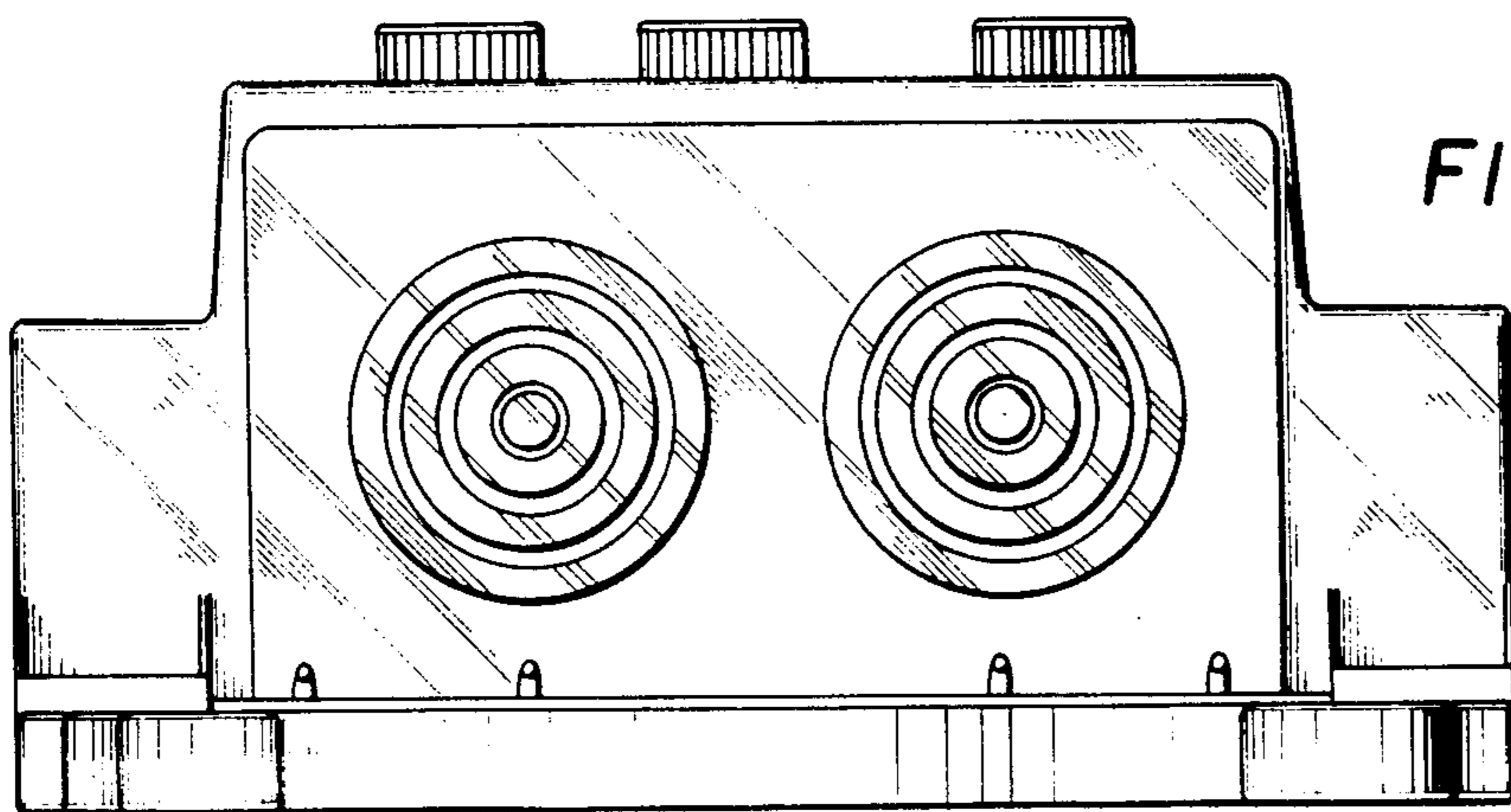


FIG. 3

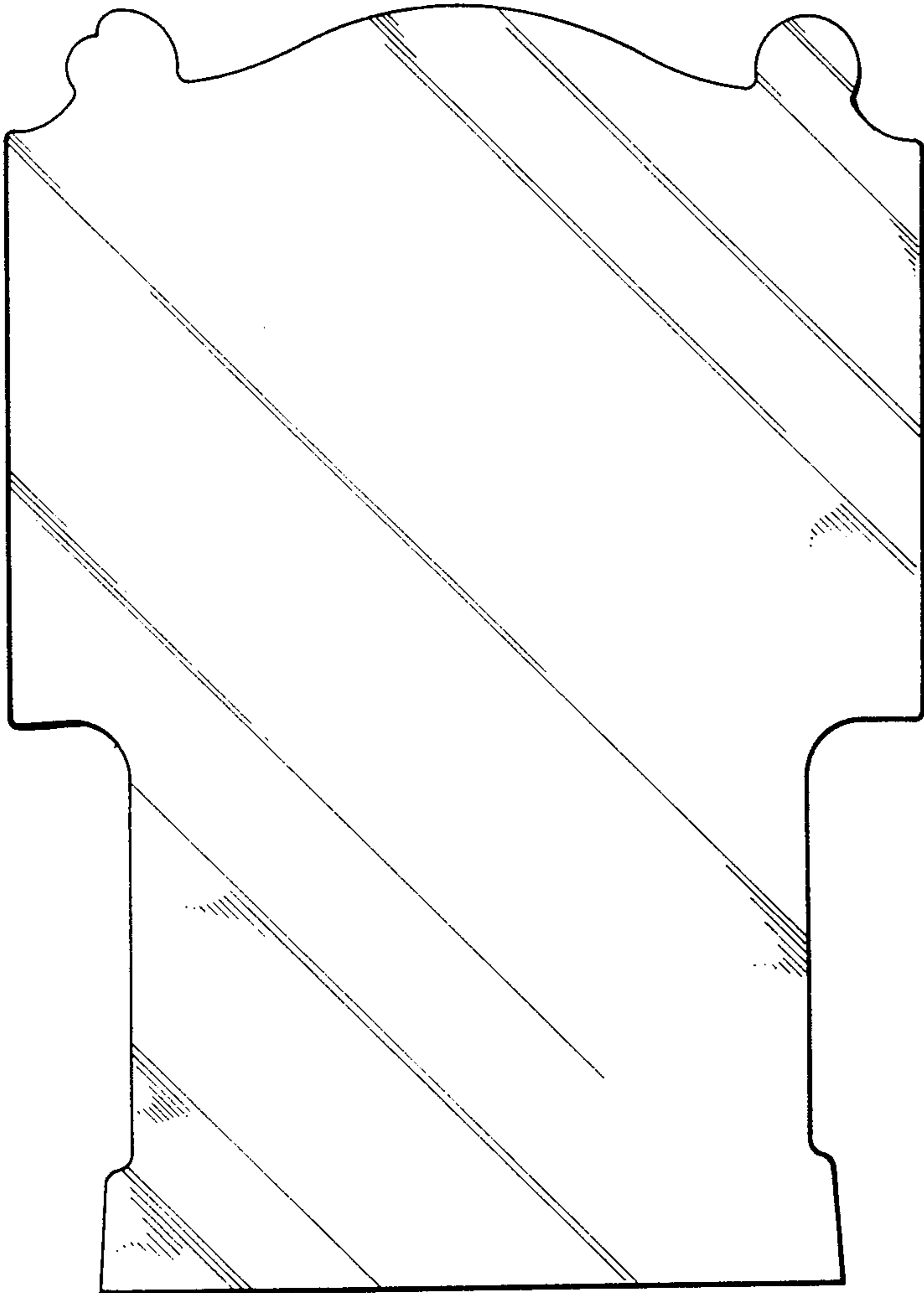


FIG. 4

