

[54] TOY CIRCULAR SAW

[75] Inventor: **Ronald R. Klawitter**, Gasconade County, Mo.

[73] Assignee: **Steven Manufacturing Company**

[**] Term: **14 Years**

[21] Appl. No.: **896,817**

[22] Filed: **Apr. 17, 1978**

[51] Int. Cl. **D21-01**

[52] U.S. Cl. **D21/120**

[58] Field of Search **D8/66; D21/59, 64, 109, D21/122, 124, 120; 46/1 R, 39, 40; 310/89, 47**

[56] **References Cited**

U.S. PATENT DOCUMENTS

3,873,862 3/1975 Butler **D8/66**

OTHER PUBLICATIONS

Rockwell International Flier, 3-1976, Power Saw.

Primary Examiner—Charles A. Rademaker

Attorney, Agent, or Firm—Philip B. Polster

[57] **CLAIM**

The ornamental design for a toy circular saw, as shown.

DESCRIPTION

FIG. 1 is a perspective view of a toy circular saw showing my new design;

FIG. 2 is a front elevational view thereof; shown on a slightly reduced scale;

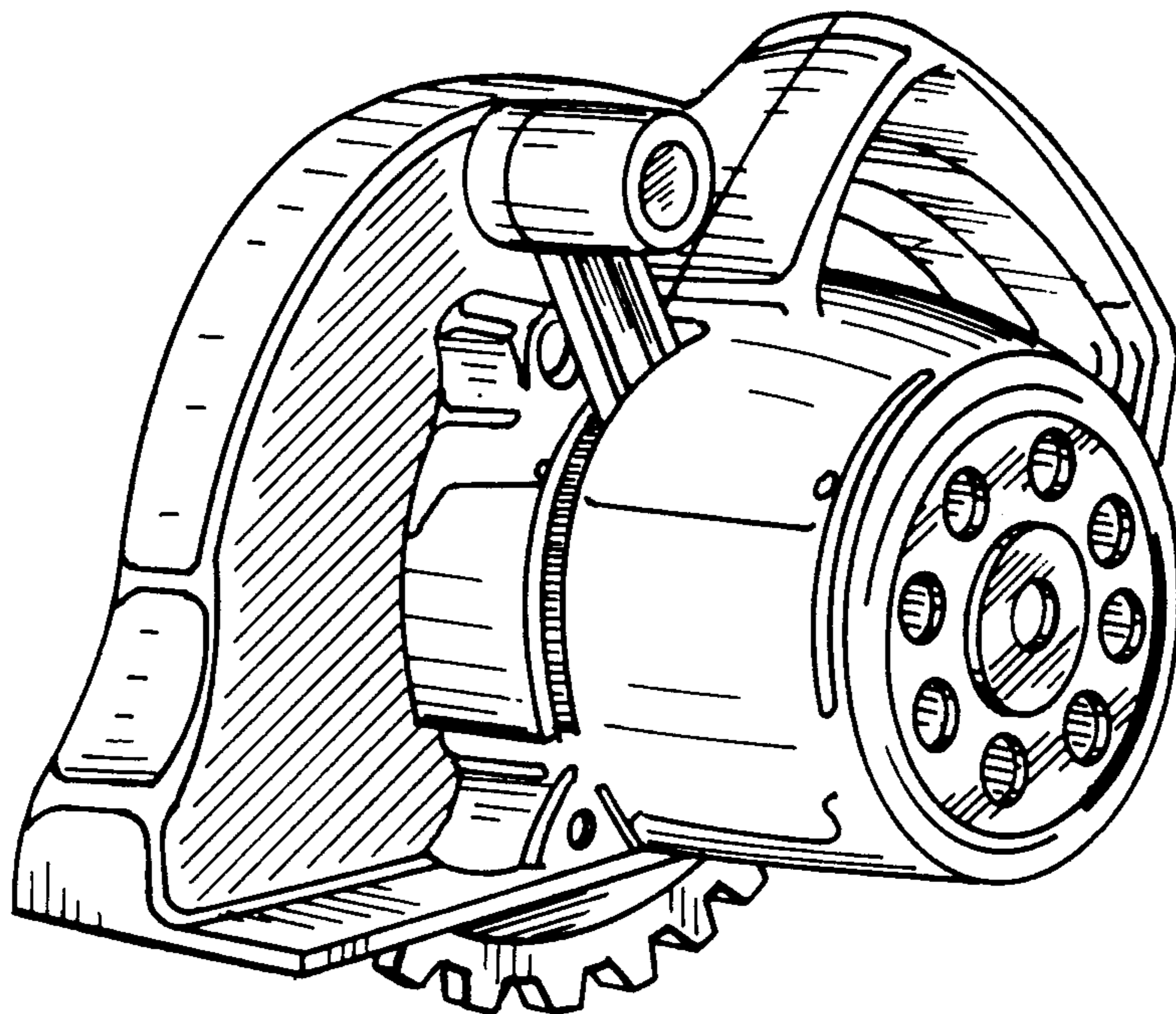
FIG. 3 is a side elevational view thereof;

FIG. 4 is a side elevational view of the side opposite that shown in FIG. 3;

FIG. 5 is a top plan view thereof;

FIG. 6 is a bottom plan view thereof; and

FIG. 7 is a rear elevational view thereof.



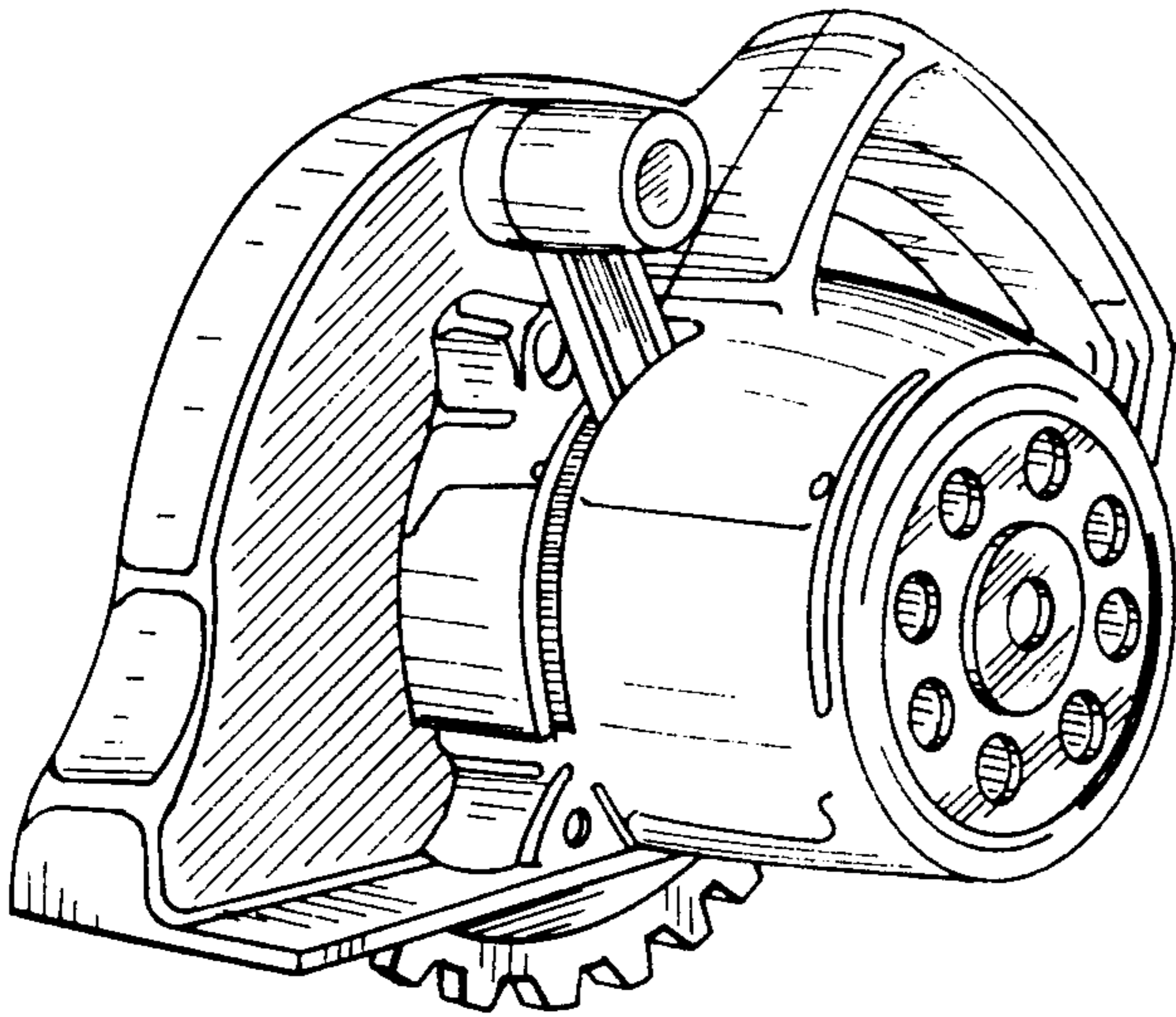


FIG. 1.

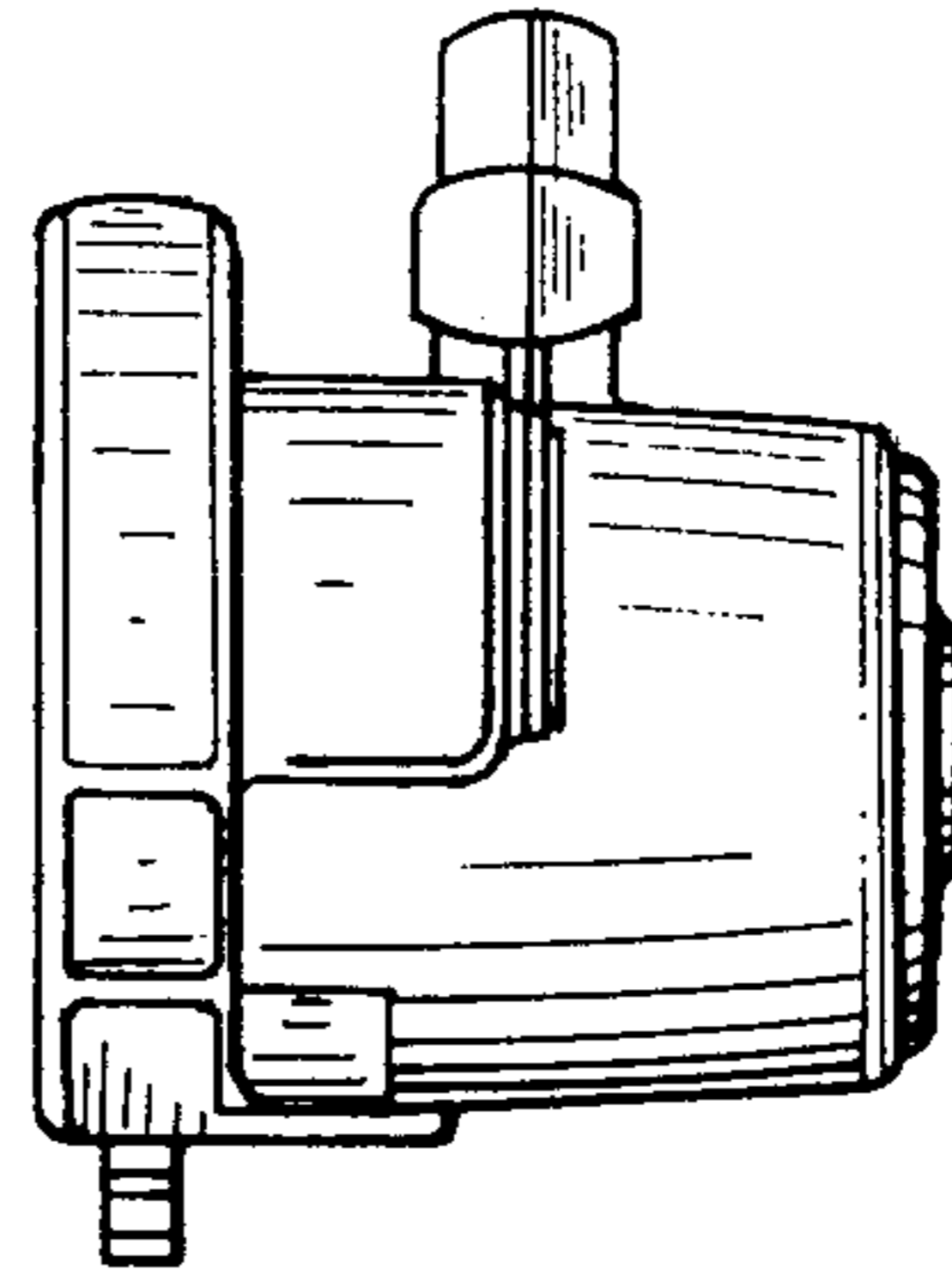


FIG. 2.

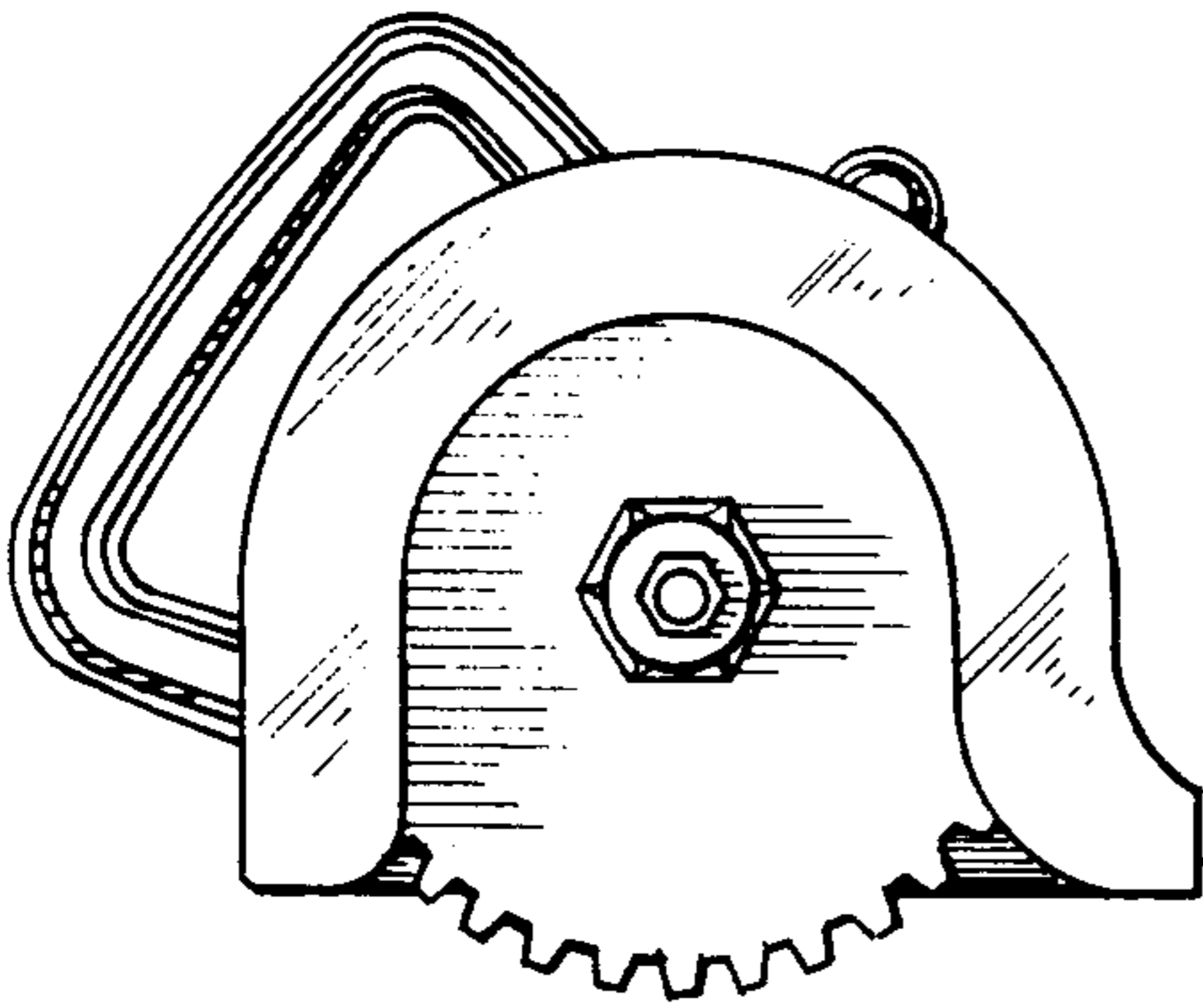


FIG. 3.

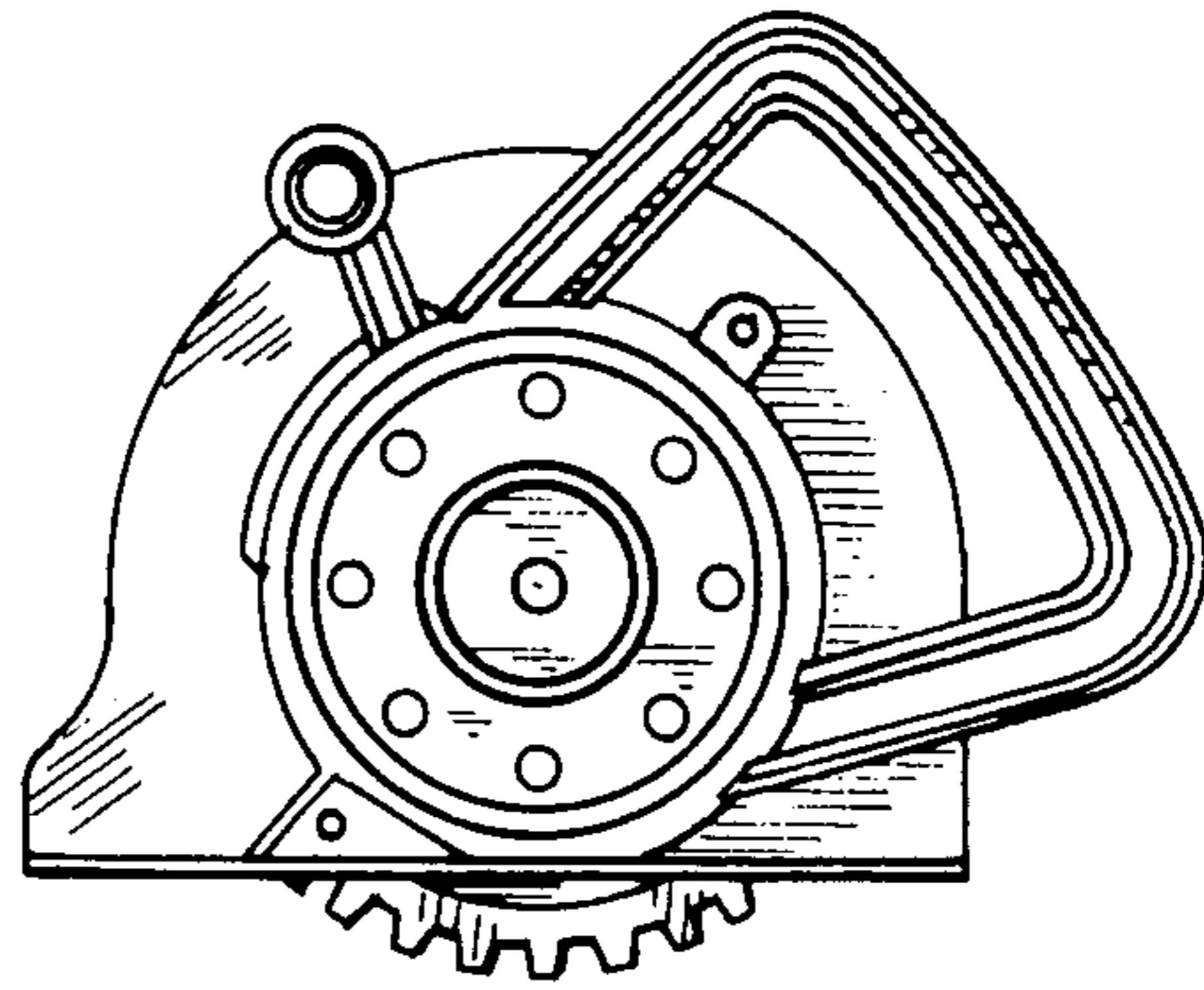


FIG. 4.

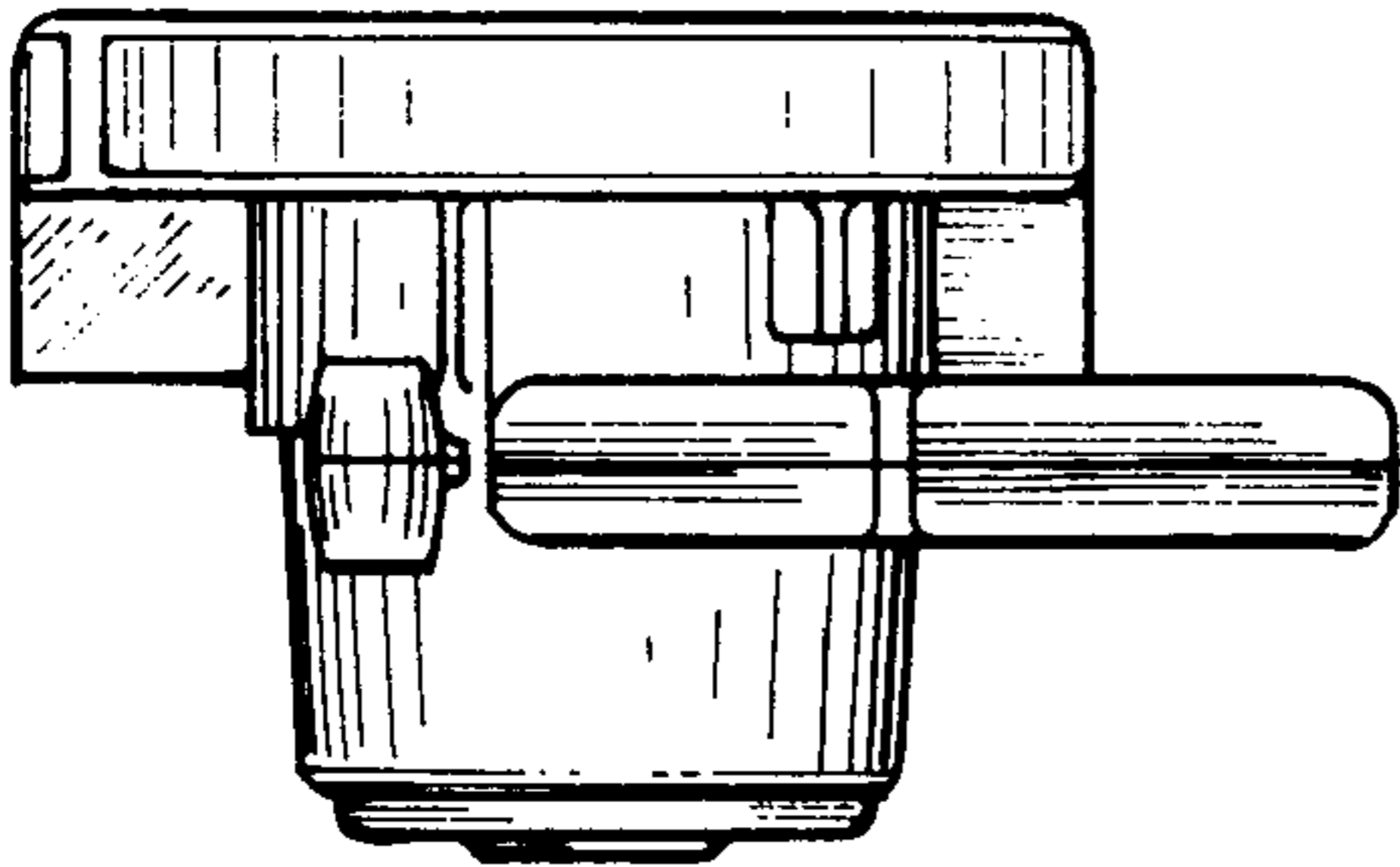


FIG. 5.

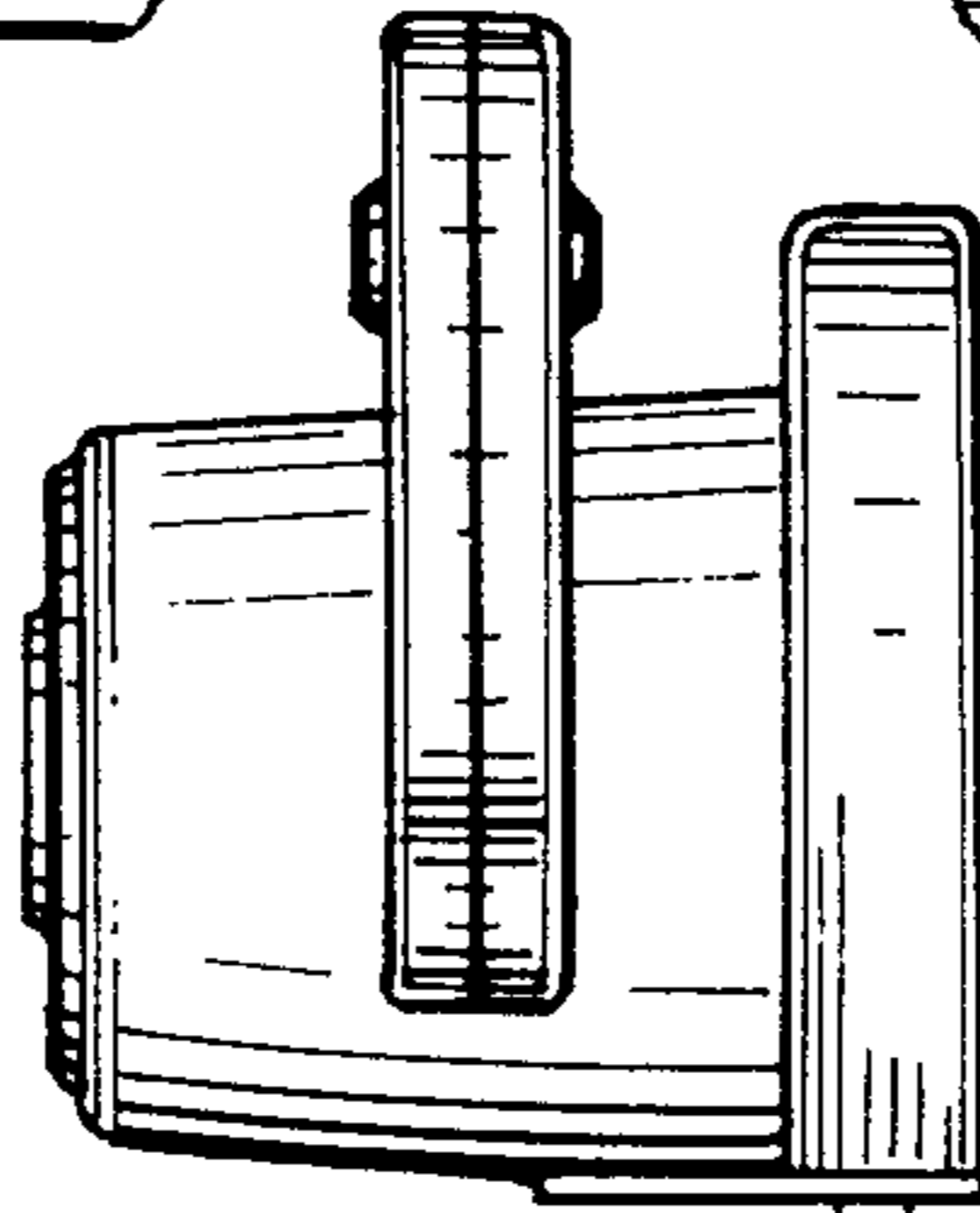


FIG. 7.

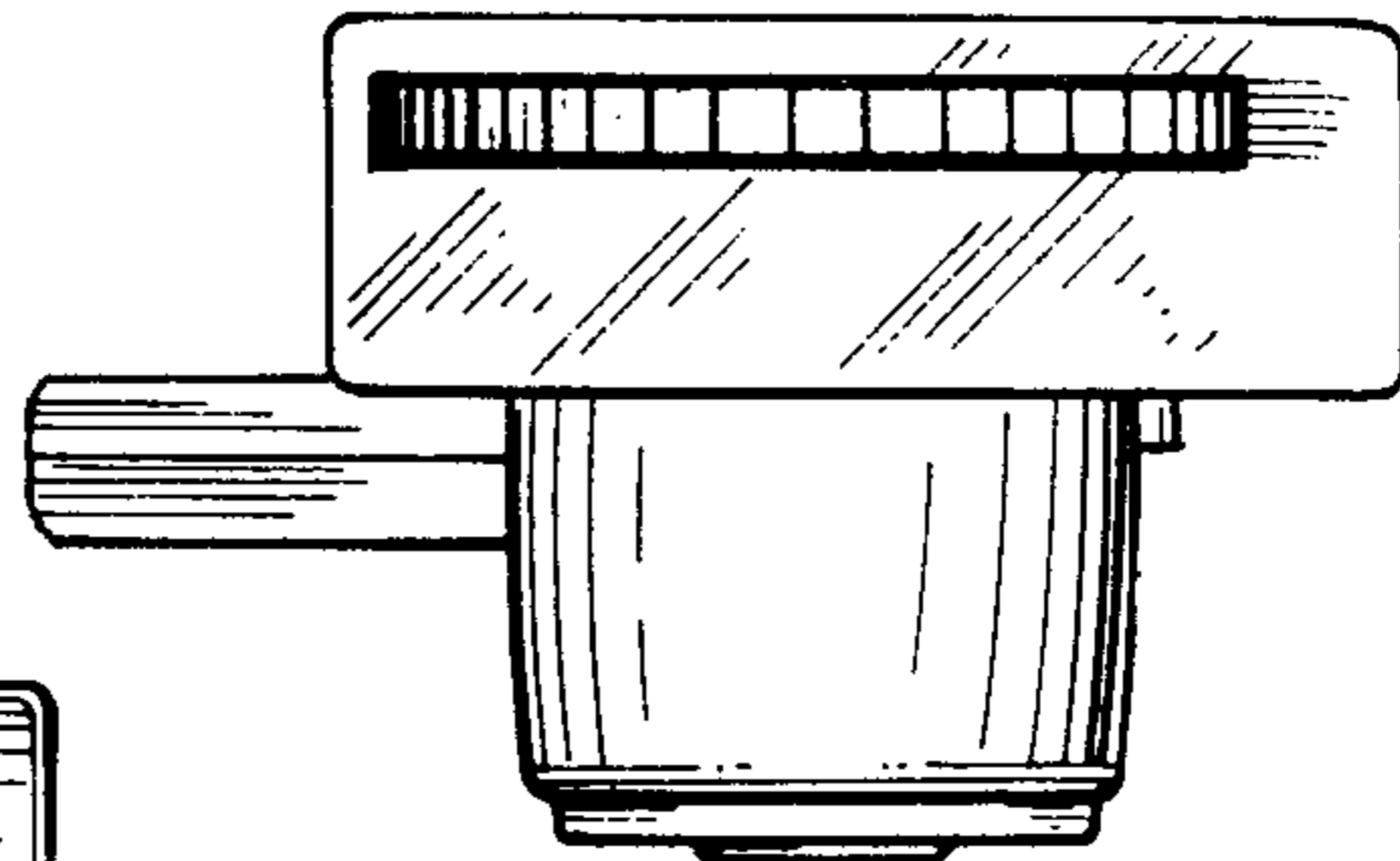


FIG. 6.