

[54] COUPLER FOR PET FOOD BOWLS

[76] Inventor: Tony Robert, 5701 Southwest Freeway, Houston, Tex. 77057

[**] Term: 14 Years

[21] Appl. No.: 2,796

[22] Filed: Jan. 11, 1979

[51] Int. Cl. D30-03

[52] U.S. Cl. D30/13

[58] Field of Search D30/13-18; 119/18, 61; 220/23.4, 23.83

[56] References Cited

U.S. PATENT DOCUMENTS

- D. 207,198 3/1967 Robert D30/13
- D. 207,199 3/1967 Robert D30/13

- D. 209,755 1/1968 Robert D30/13
- D. 212,161 9/1968 Robert D30/13
- D. 213,378 2/1969 Robert D30/13
- 2,320,838 6/1943 Murphy 119/61
- 2,366,584 1/1945 Woodward D30/16 X
- 4,011,951 3/1977 Boyer 119/61 X

Primary Examiner—James R. Largen

[57] CLAIM

The ornamental design for a coupler for pet food bowls, as shown and described.

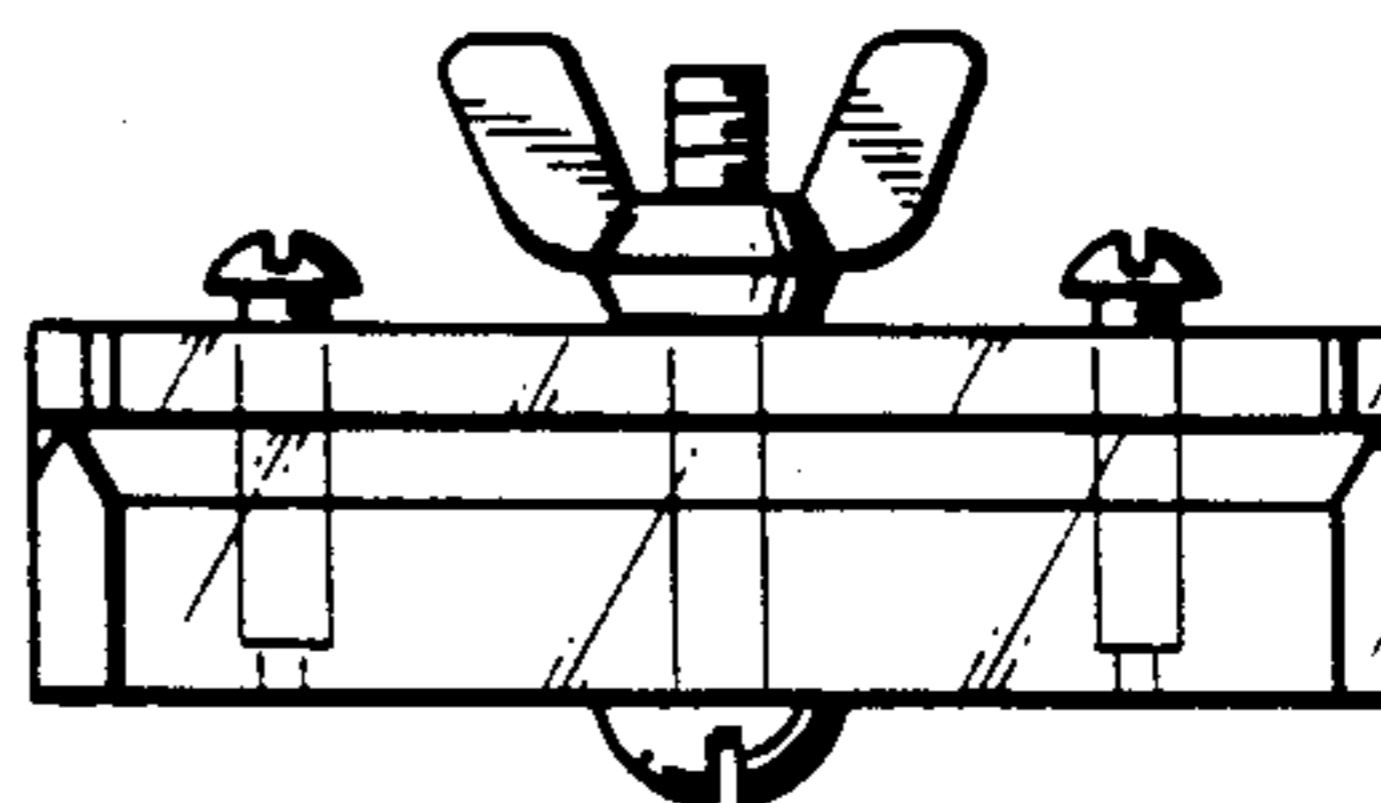
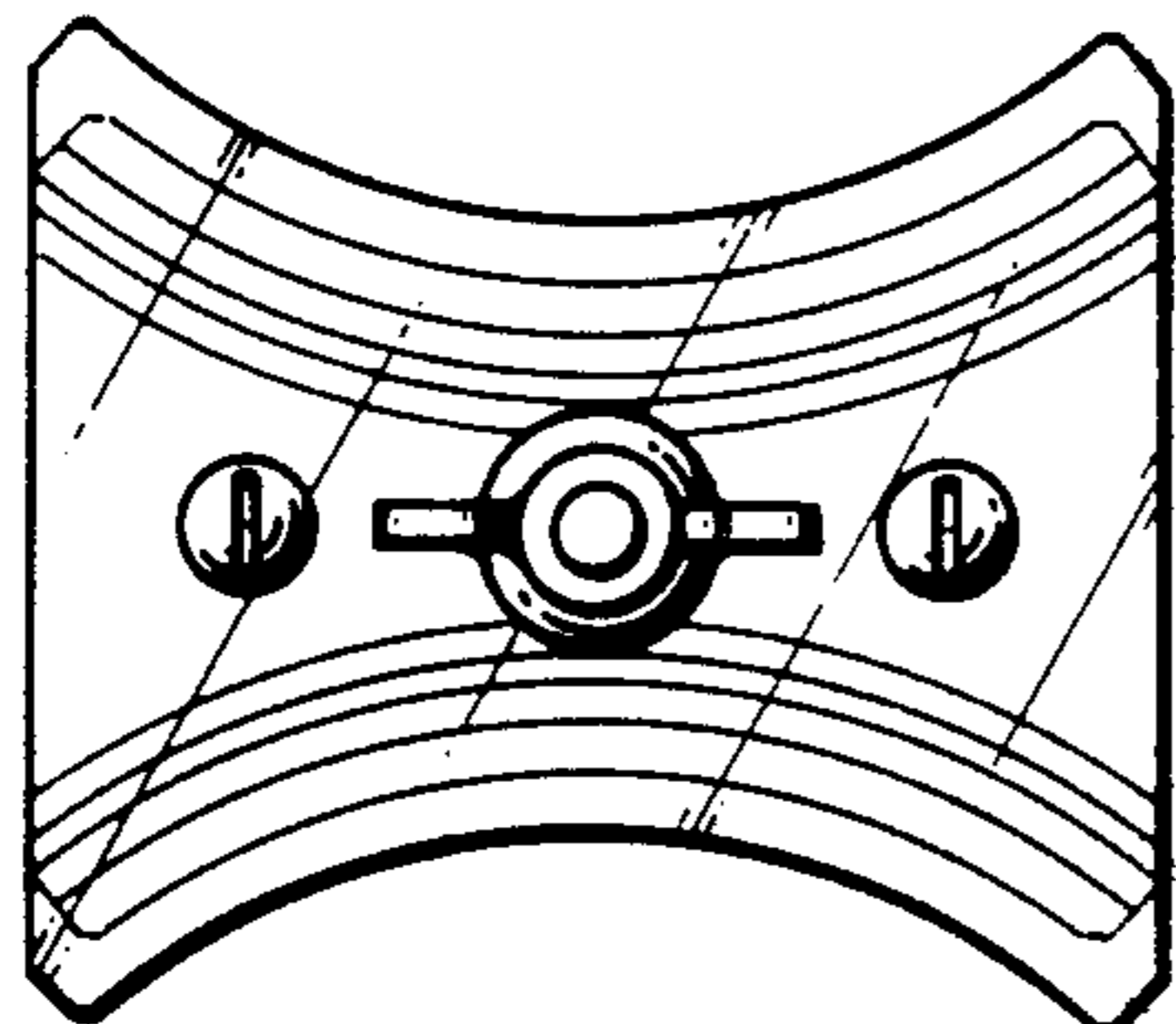
DESCRIPTION

FIG. 1 is a top view of a coupler for pet food bowls showing my new design;

FIG. 2 is a front elevational view thereof;

FIG. 3 is a bottom view thereof; and

FIG. 4 is a side elevational view thereof.



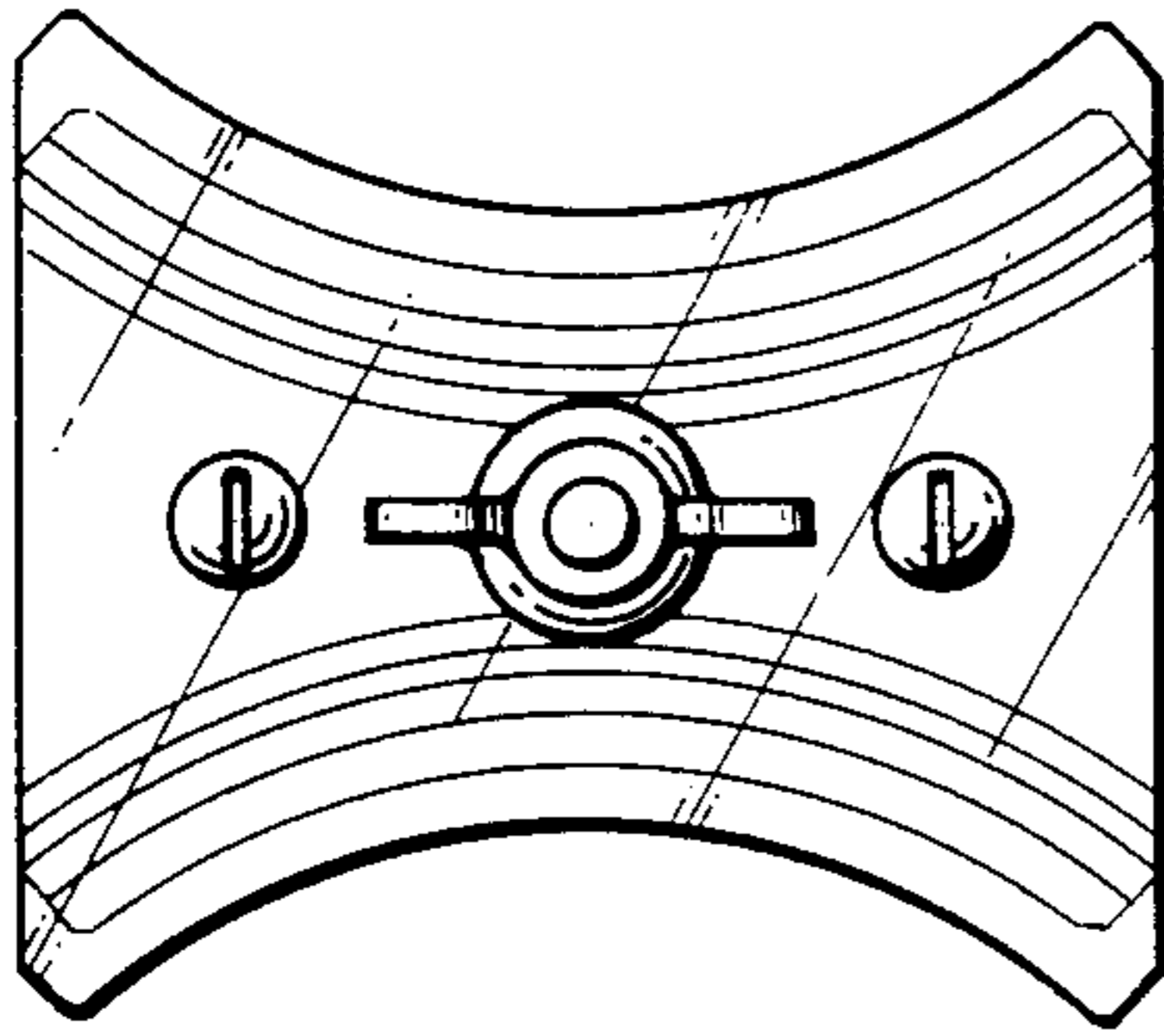


Fig. 1

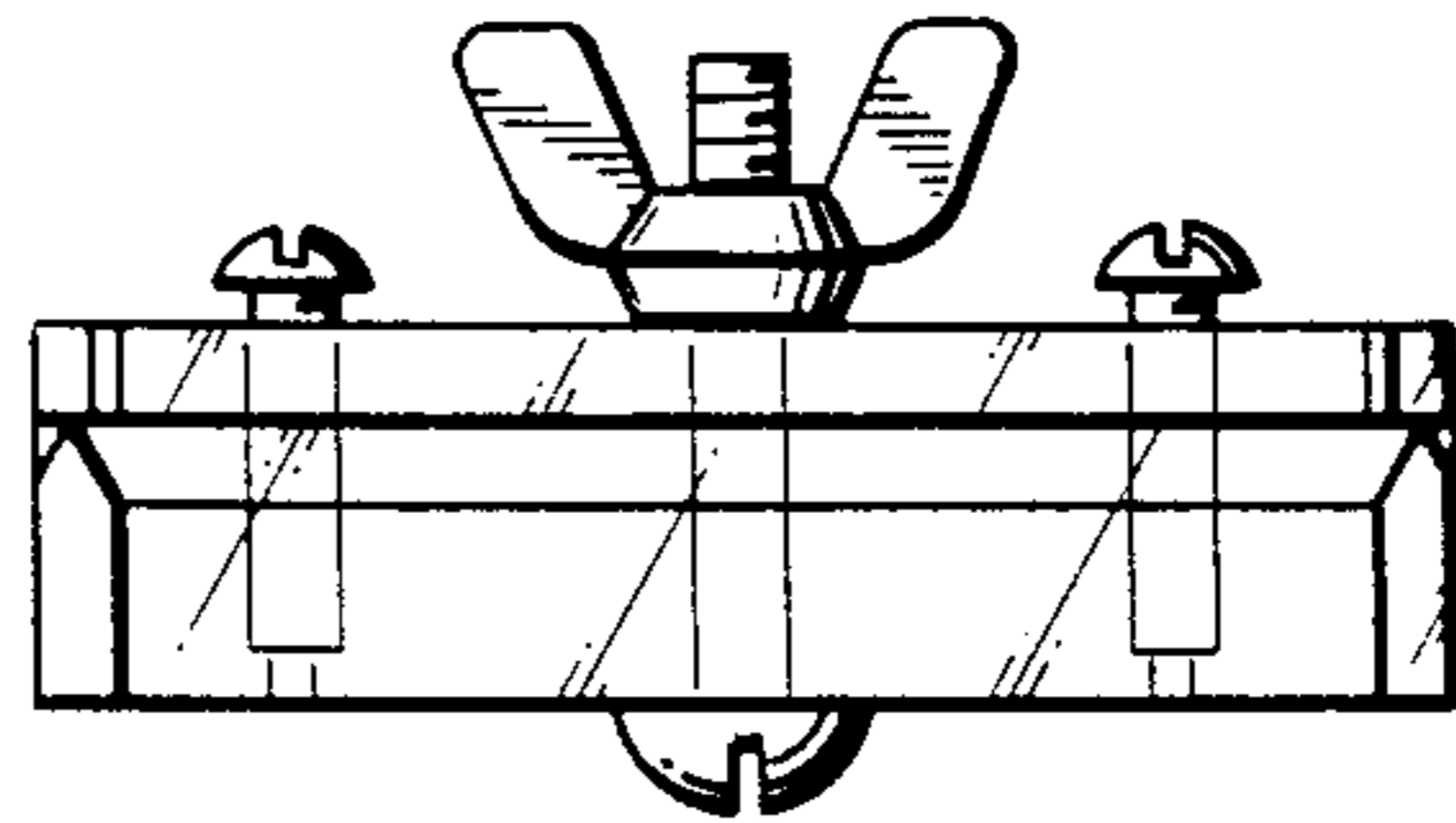


Fig. 2

Fig. 3

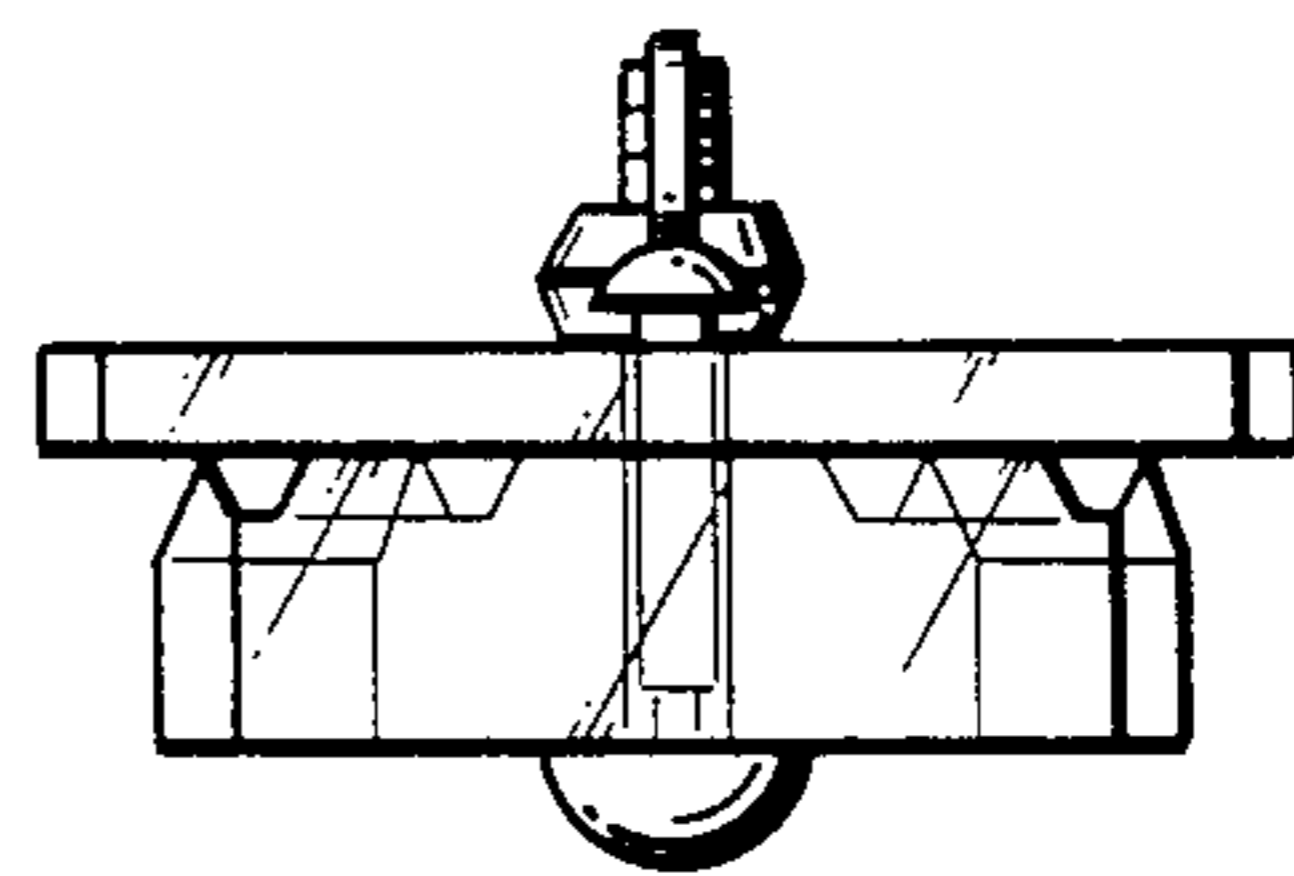
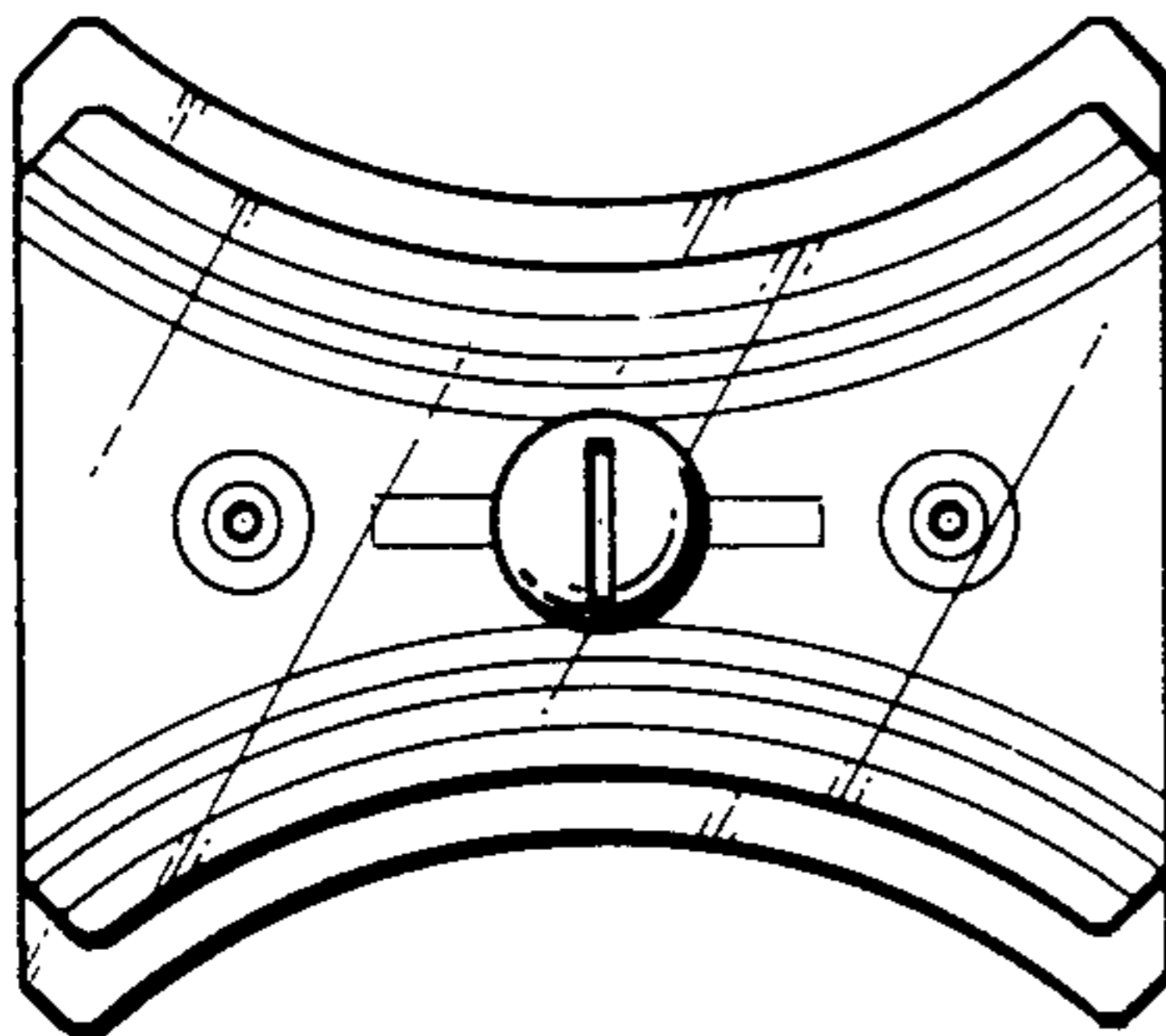


Fig. 4