

[54] **HOLDER FOR A PET FOOD BOWL**  
 [76] **Inventor: Tony Robert, 5701 Southwest Freeway, Houston, Tex. 77057**  
 [\*\*] **Term: 14 Years**  
 [21] **Appl. No.: 2,795**  
 [22] **Filed: Jan. 11, 1979**  
 [51] **Int. Cl. .... D30-03**  
 [52] **U.S. Cl. .... D30/13**  
 [58] **Field of Search .... D30/13-18; 119/18, 61; 248/154, 500**

D. 225,338 12/1972 Robert ..... D30/13  
 D. 230,031 1/1974 Robert ..... D30/13  
 D. 238,885 2/1976 Robert ..... D30/13  
 1,879,332 9/1932 Kulp ..... 119/61  
 2,320,828 6/1943 Murphy ..... 119/61  
 4,011,951 2/1976 Boyer ..... 119/61 X

*Primary Examiner—James R. Largen*

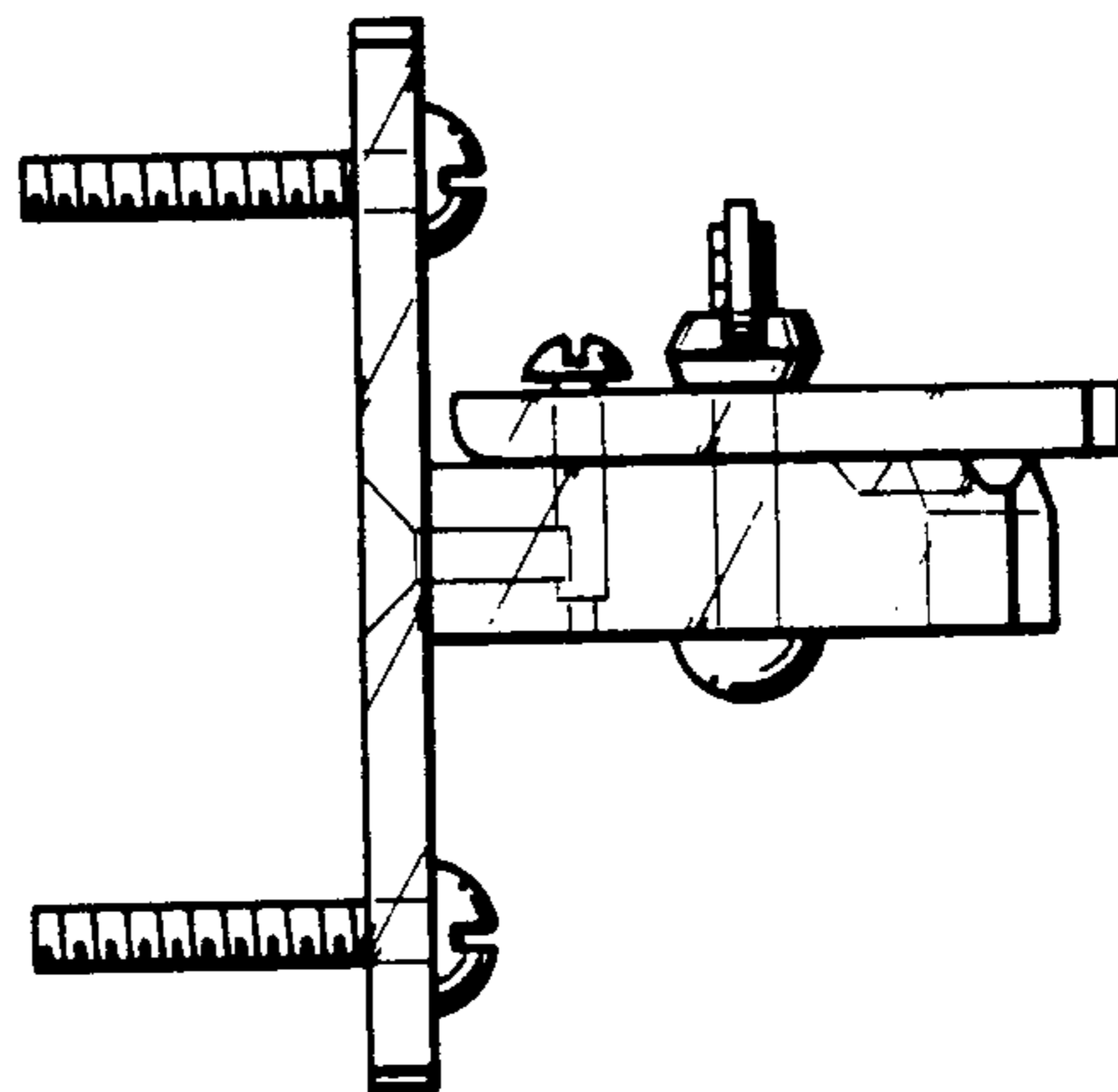
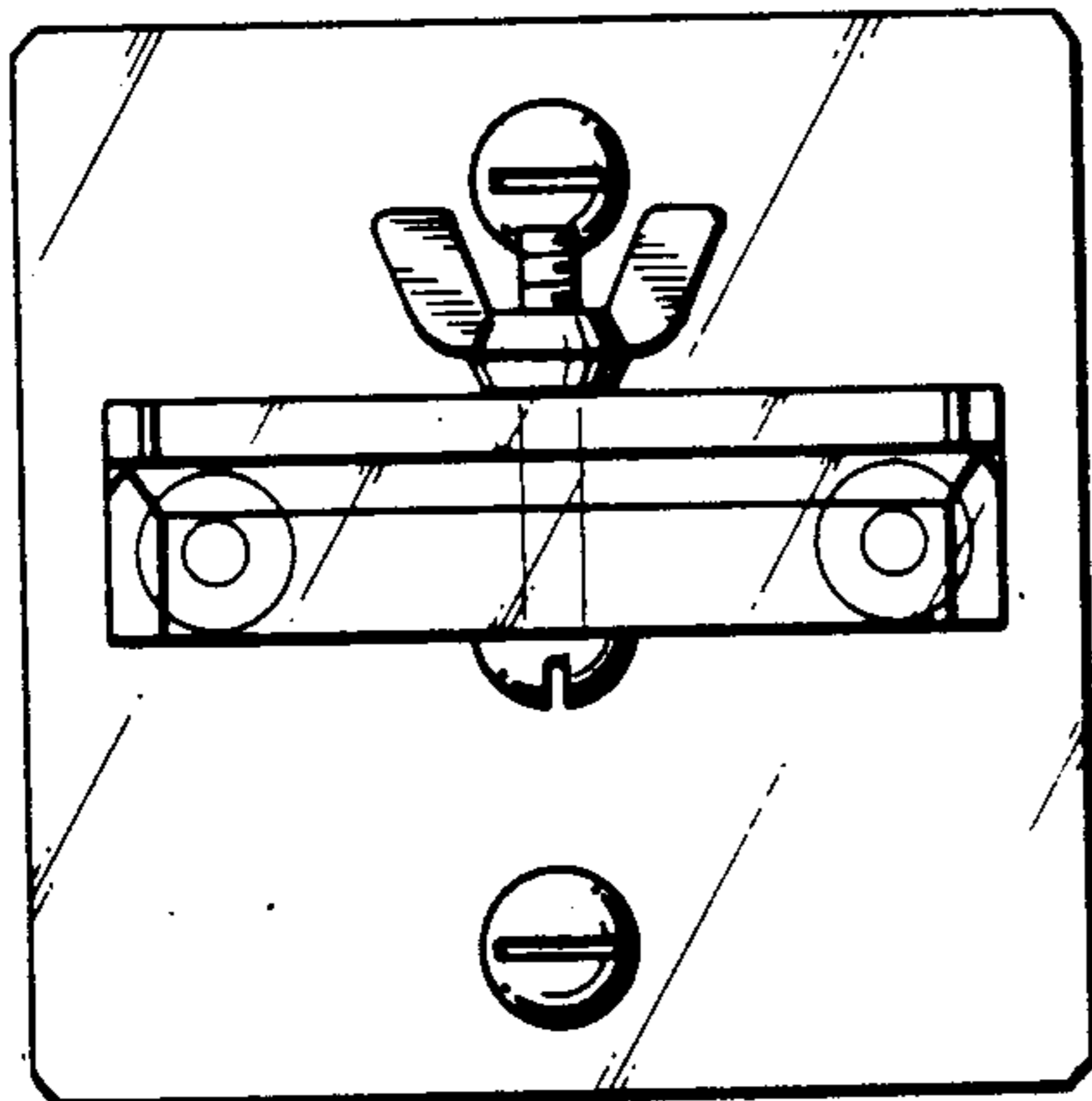
[57] **CLAIM**

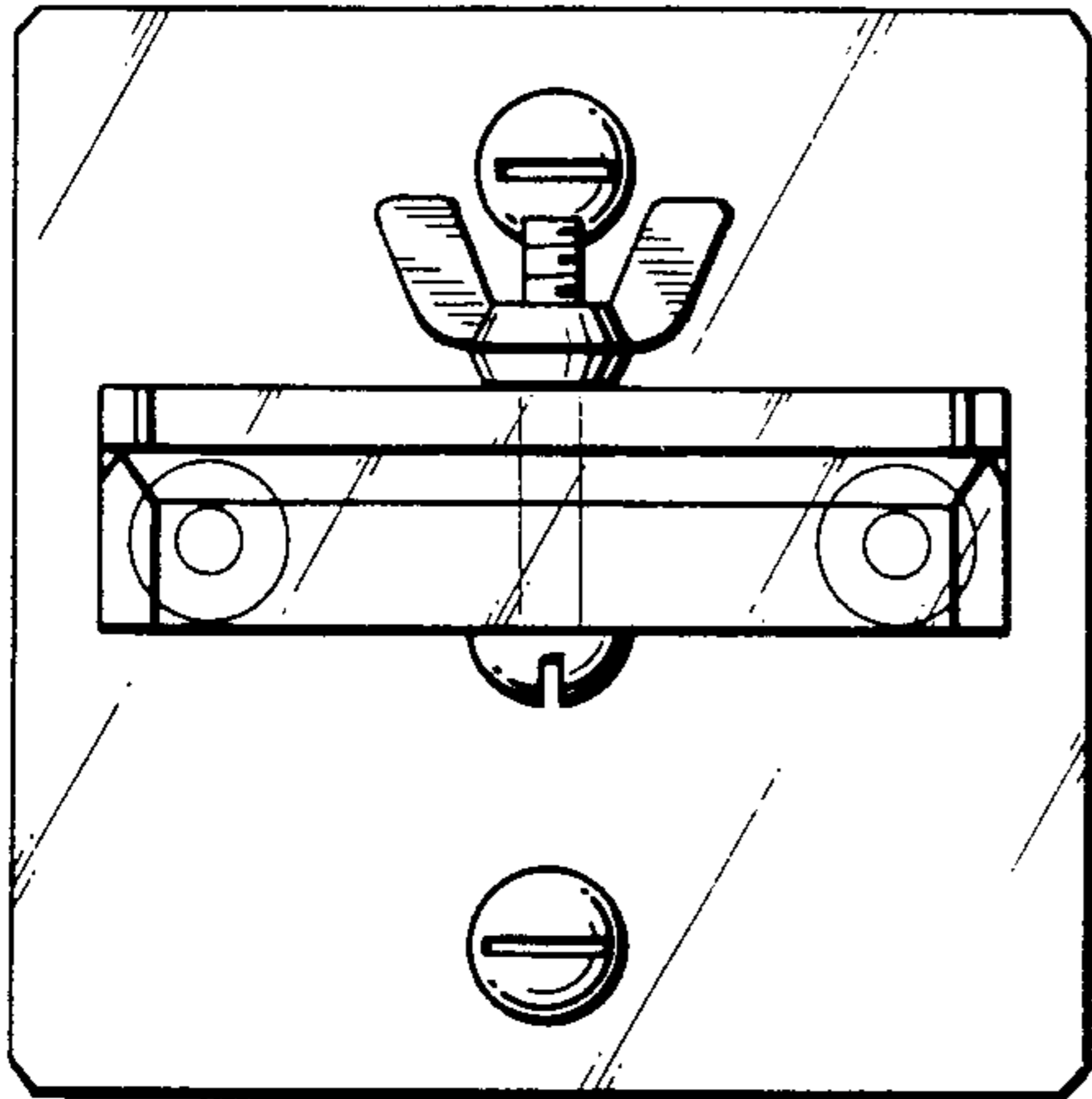
The ornamental design for a holder for a pet food bowl, as shown and described.

**DESCRIPTION**

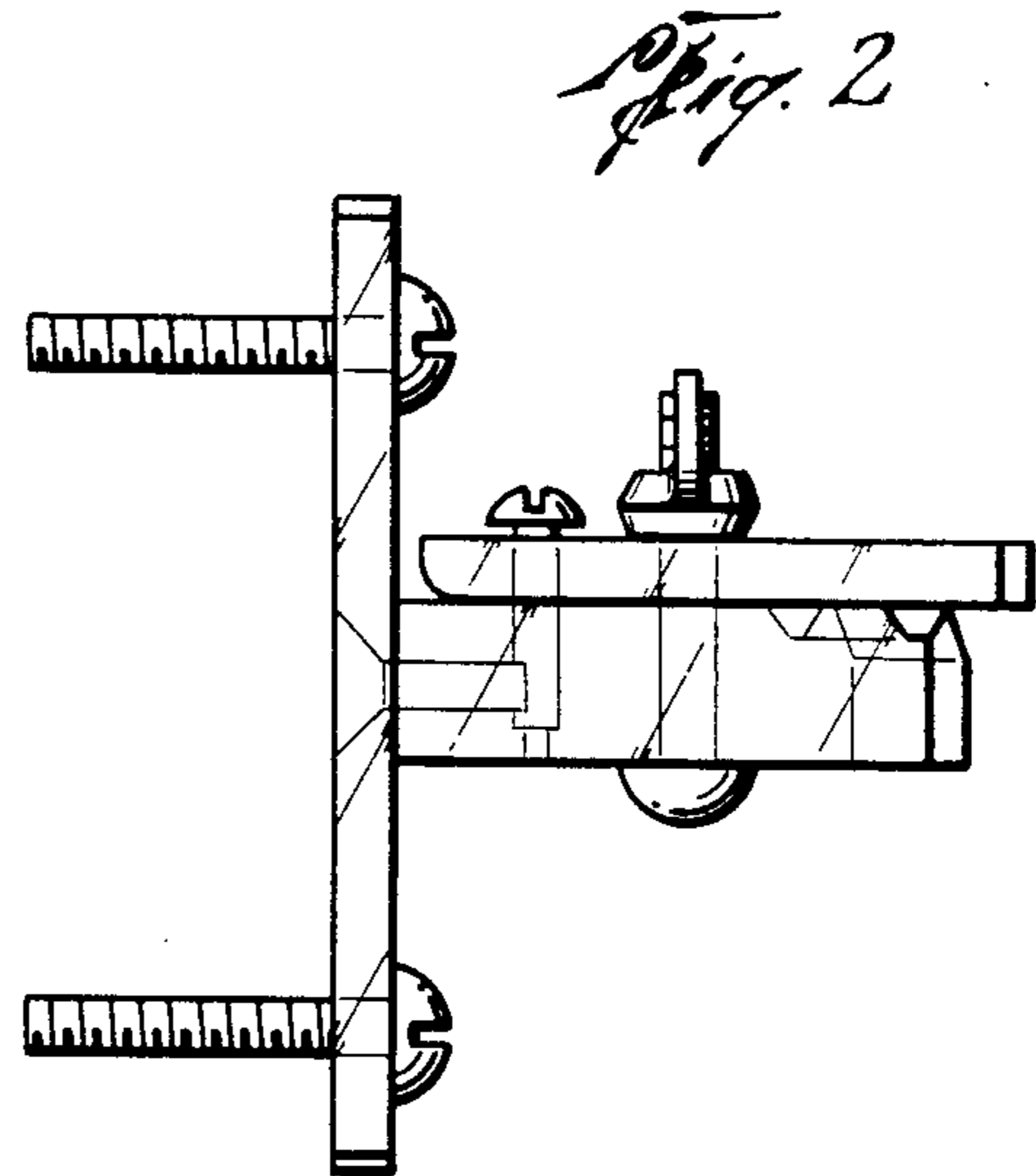
FIG. 1 is a front elevational view of a holder for a pet food bowl showing my new design;  
 FIG. 2 is a left side elevational view thereof;  
 FIG. 3 is a top view thereof;  
 FIG. 4 is a rear elevational view thereof; and  
 FIG. 5 is a bottom view thereof.

[56] **References Cited**  
**U.S. PATENT DOCUMENTS**  
 D. 209,754 1/1968 Robert ..... D30/13  
 D. 213,377 2/1969 Robert ..... D30/13  
 D. 216,989 3/1970 Robert ..... D30/13

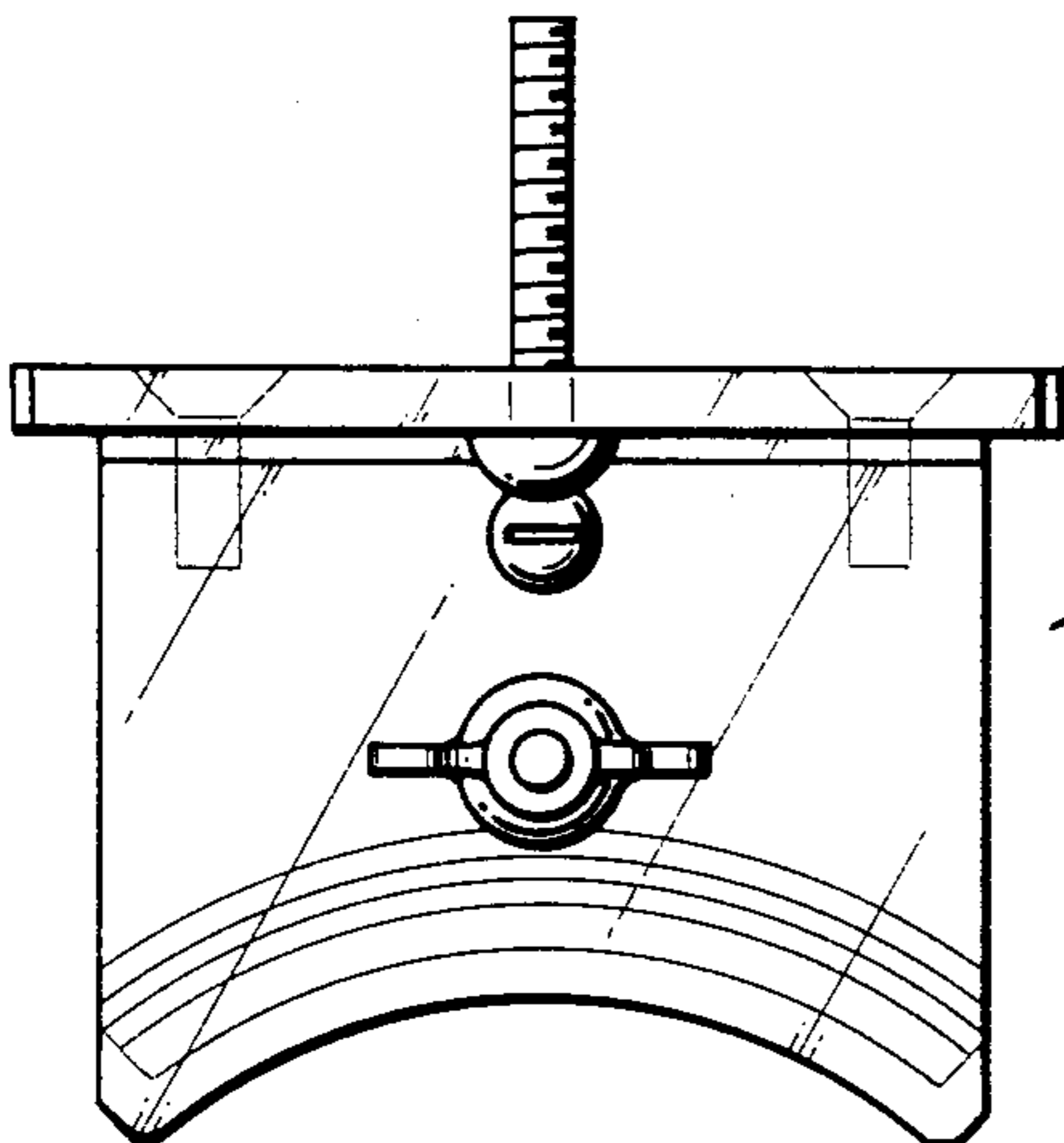




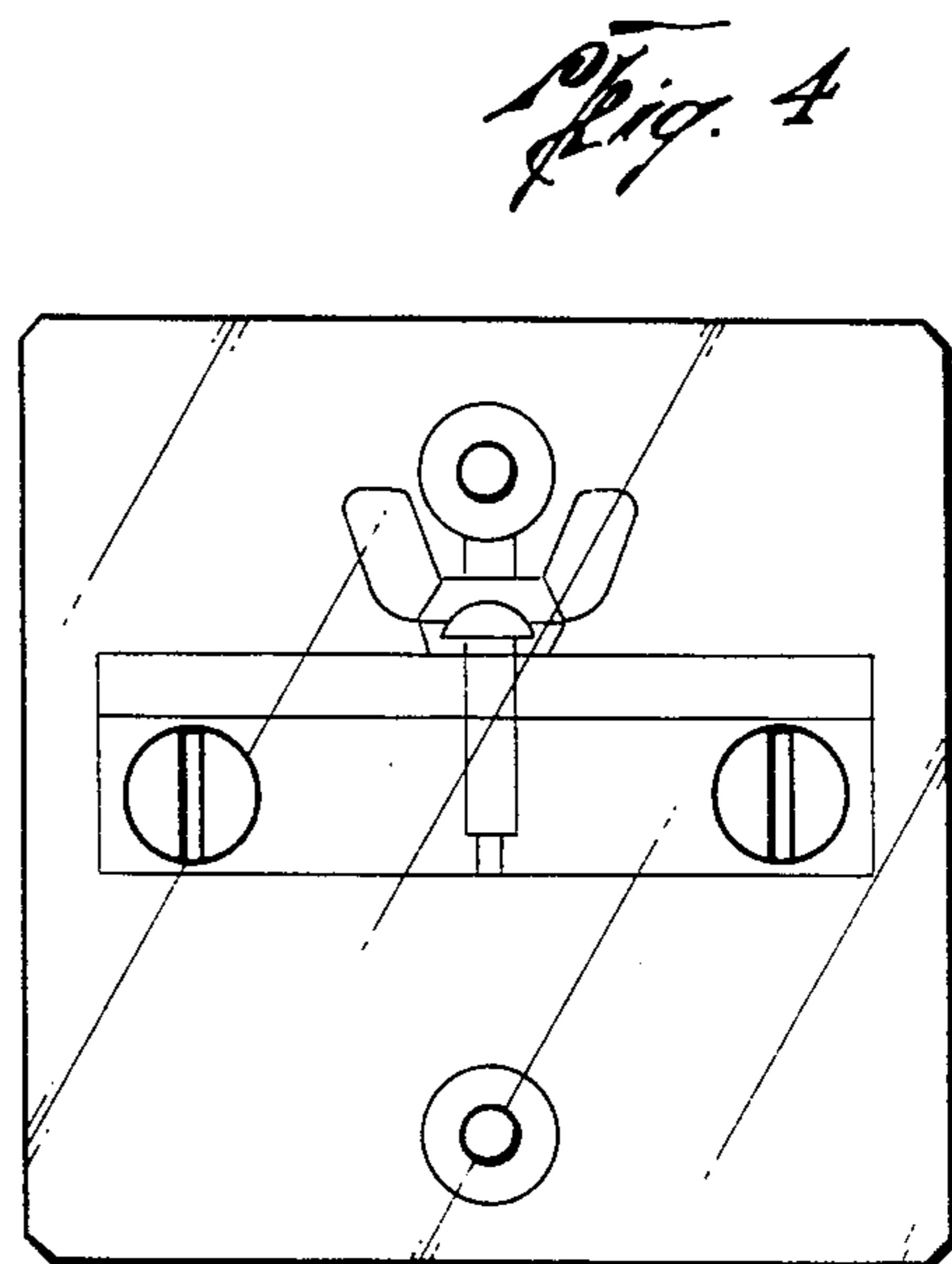
*Fig. 1*



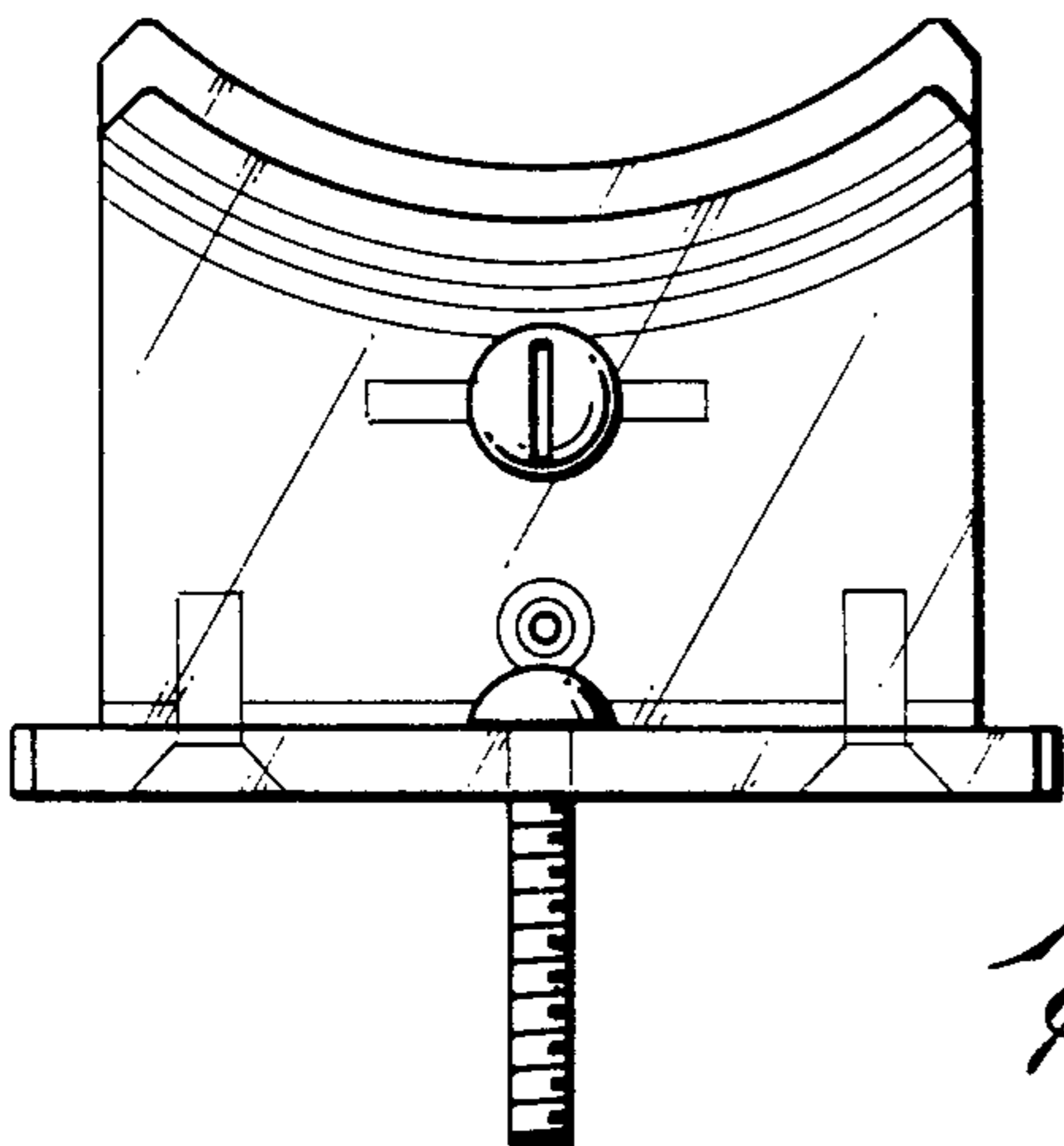
*Fig. 2*



*Fig. 3*



*Fig. 4*



*Fig. 5*