

[54] COMBINED CIGAR AND CIGARETTE
HOLDER, EXTINGUISHER AND ASH TRAY

[76] Inventor: George Bobbish, 3006 Houston Dr.,
Franklin Park, Ill. 60131

[**] Term: 14 Years

[21] Appl. No.: 961,668

[22] Filed: Nov. 17, 1978

[51] Int. Cl. D27-03

[52] U.S. Cl. D27/27

[58] Field of Search D27/8-29;
131/231, 235 R, 238, 240 R, 241, 242, 256;
220/1 H

[56] References Cited

U.S. PATENT DOCUMENTS

D. 152,656 2/1949 Schwisow D27/27

D. 163,735 6/1951 Arthur D27/12
D. 187,969 5/1960 Bickford D27/15
D. 228,036 7/1973 Hollister D27/9 X
1,710,957 4/1929 RitzWoller 131/235 R

Primary Examiner—Catherine E. Kemper

Attorney, Agent, or Firm—Dillis V. Allen

[57] CLAIM

The ornamental design for a combined cigar and cigarette holder, extinguisher and ash tray, as shown.

DESCRIPTION

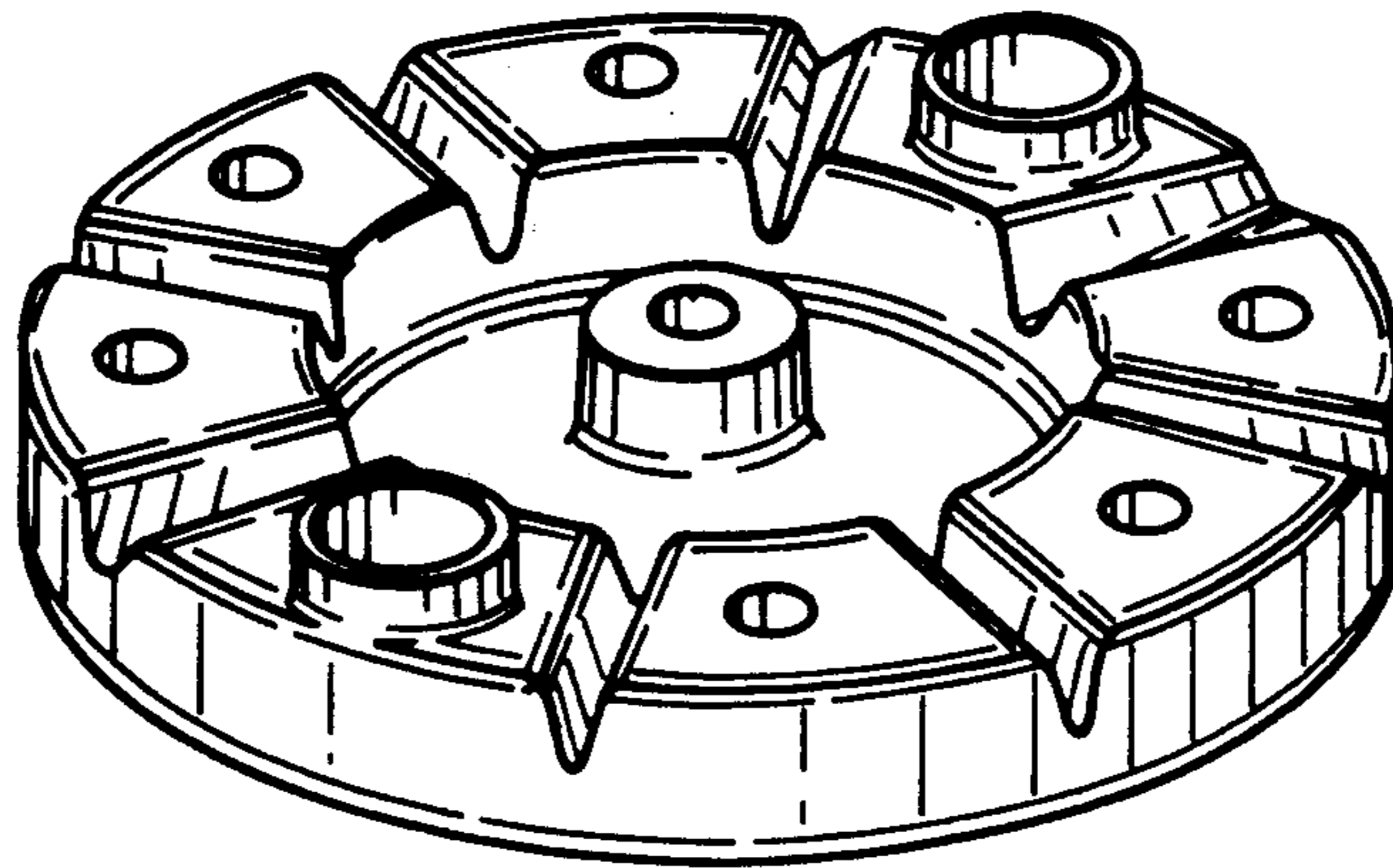
FIG. 1 is a perspective view of a combined cigar and cigarette holder, extinguisher and ash tray, showing my new design;

FIG. 2 is a top plan view thereof;

FIG. 3 is a front elevational view thereof;

FIG. 4 is a side elevational view thereof;

FIG. 5 is a bottom plan view thereof, shown on a smaller scale.



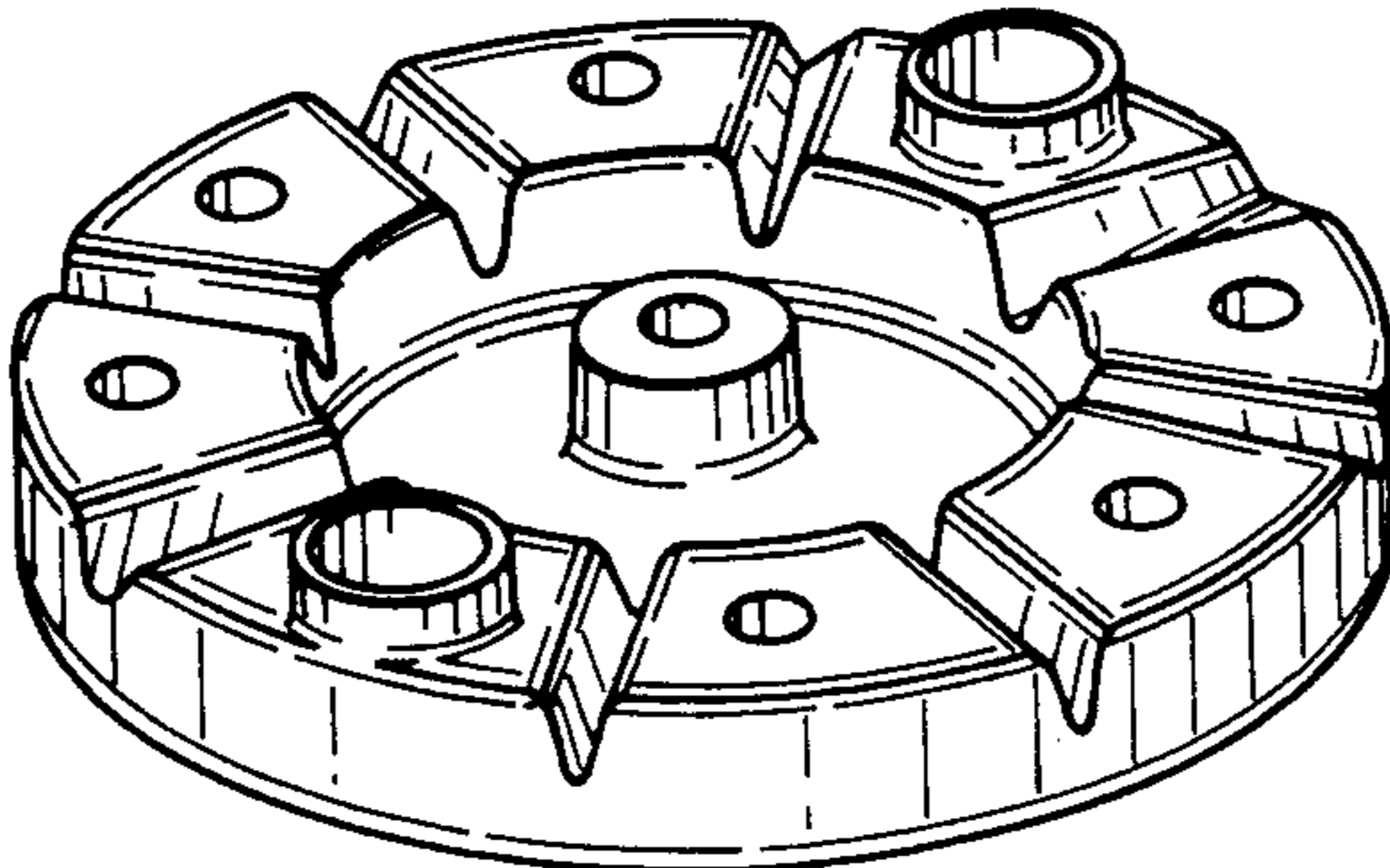


FIG. 1

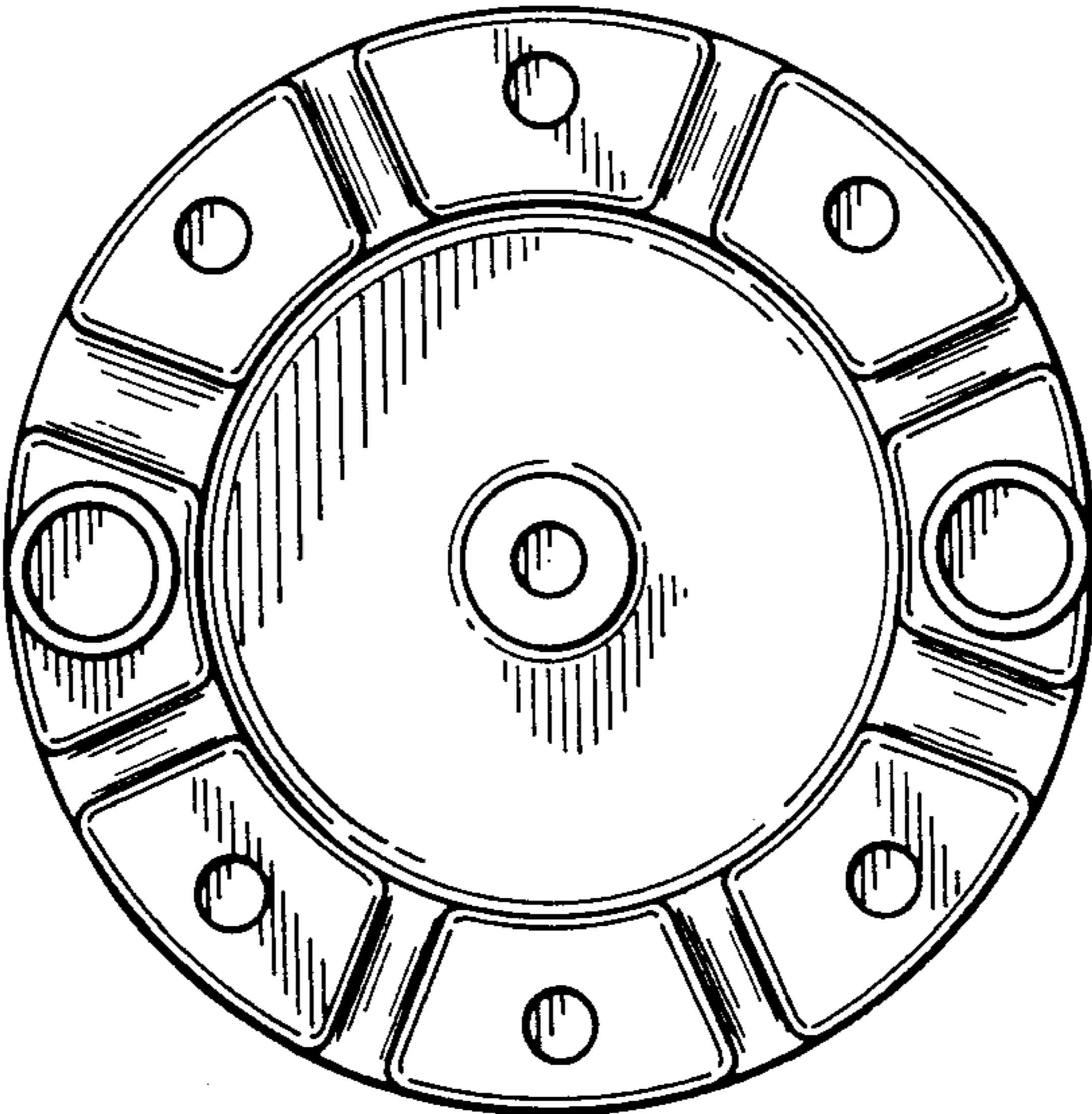


FIG. 2

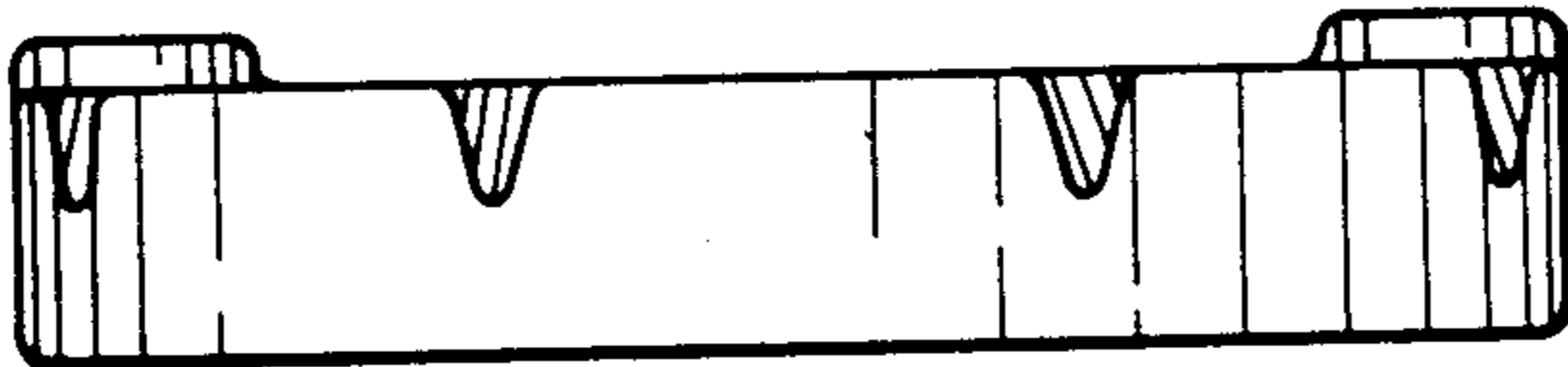


FIG. 3

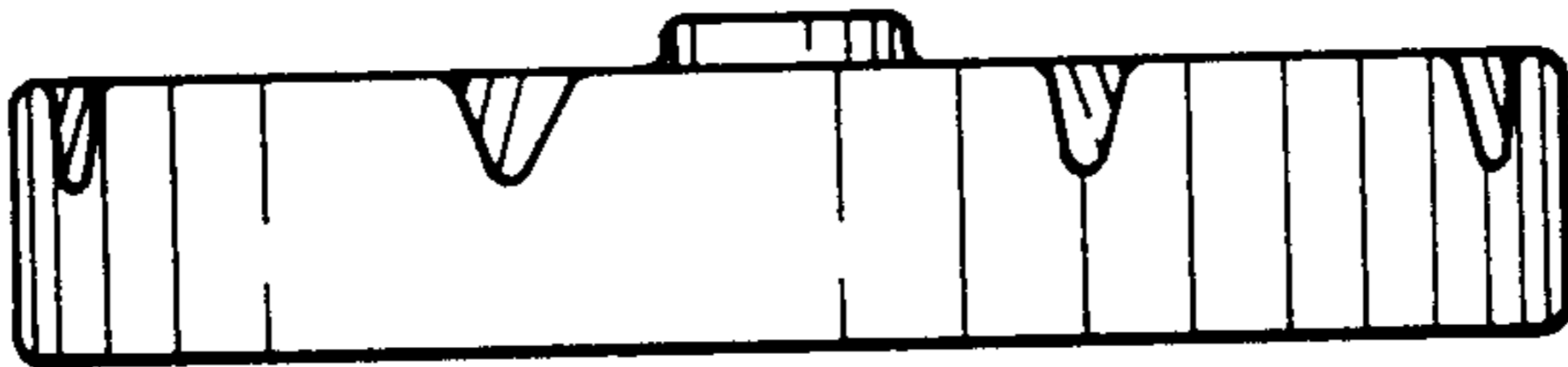


FIG. 4

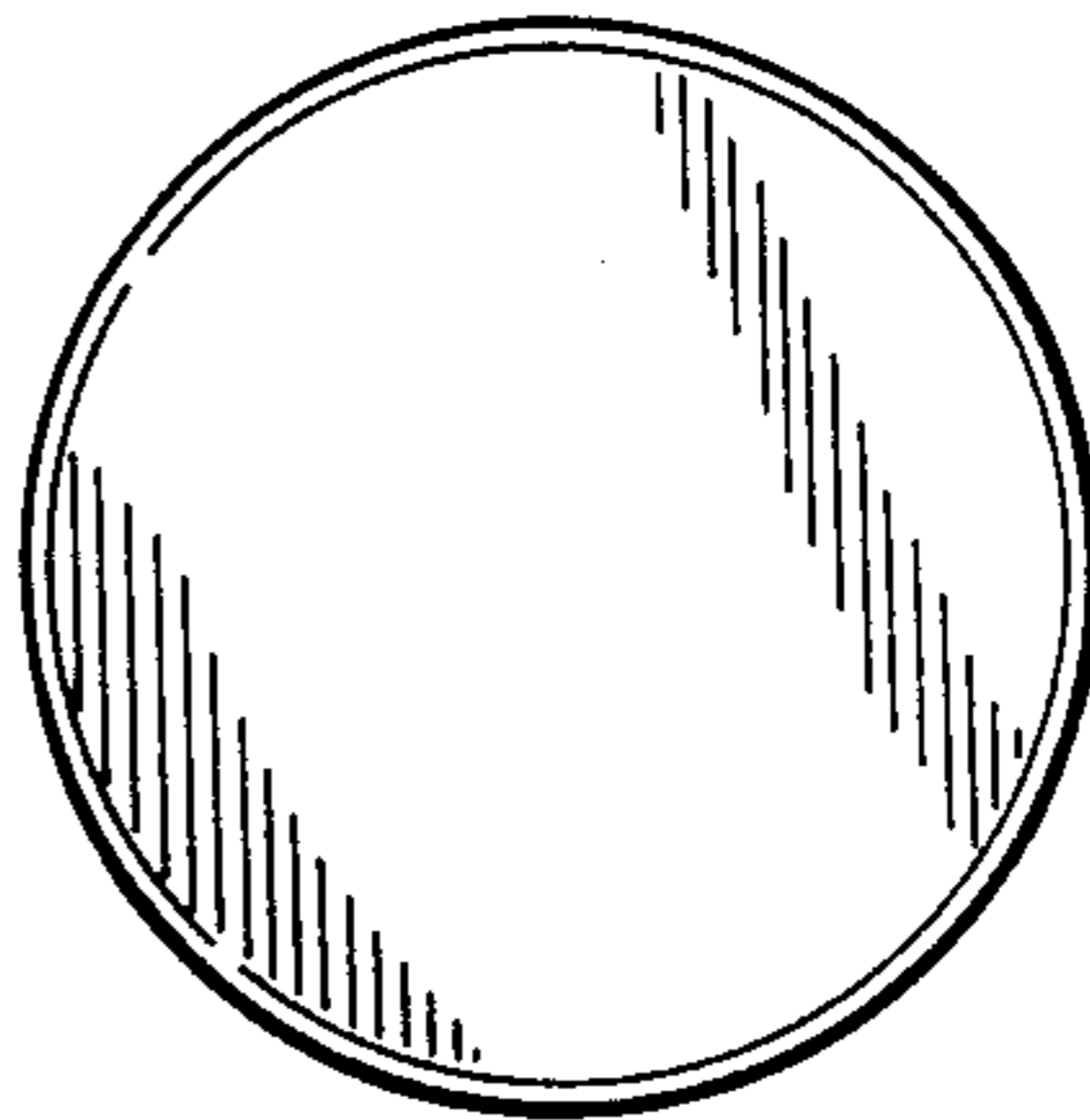


FIG. 5