

[54] **EMERGENCY PORTABLE INCUBATOR**

[76] **Inventor: Donald B. Cleveland, 2448 Centerline Industrial Dr., Maryland Heights, Mo. 63043**

[**] **Term: 14 Years**

[21] **Appl. No.: 918,666**

[22] **Filed: Jun. 23, 1978**

[51] **Int. Cl. D24—01**
[52] **U.S. Cl. D24/9; D3/70**
[58] **Field of Search 128/1 B, 205.26; D24/9; D3/70**

[56] **References Cited**

U.S. PATENT DOCUMENTS

D. 240,768	7/1976	Beld et al.	D24/9
2,539,900	1/1951	Duffy	128/1 B
3,782,362	1/1974	Puzio	128/205.26
3,920,000	11/1975	Atherton et al.	128/1 B

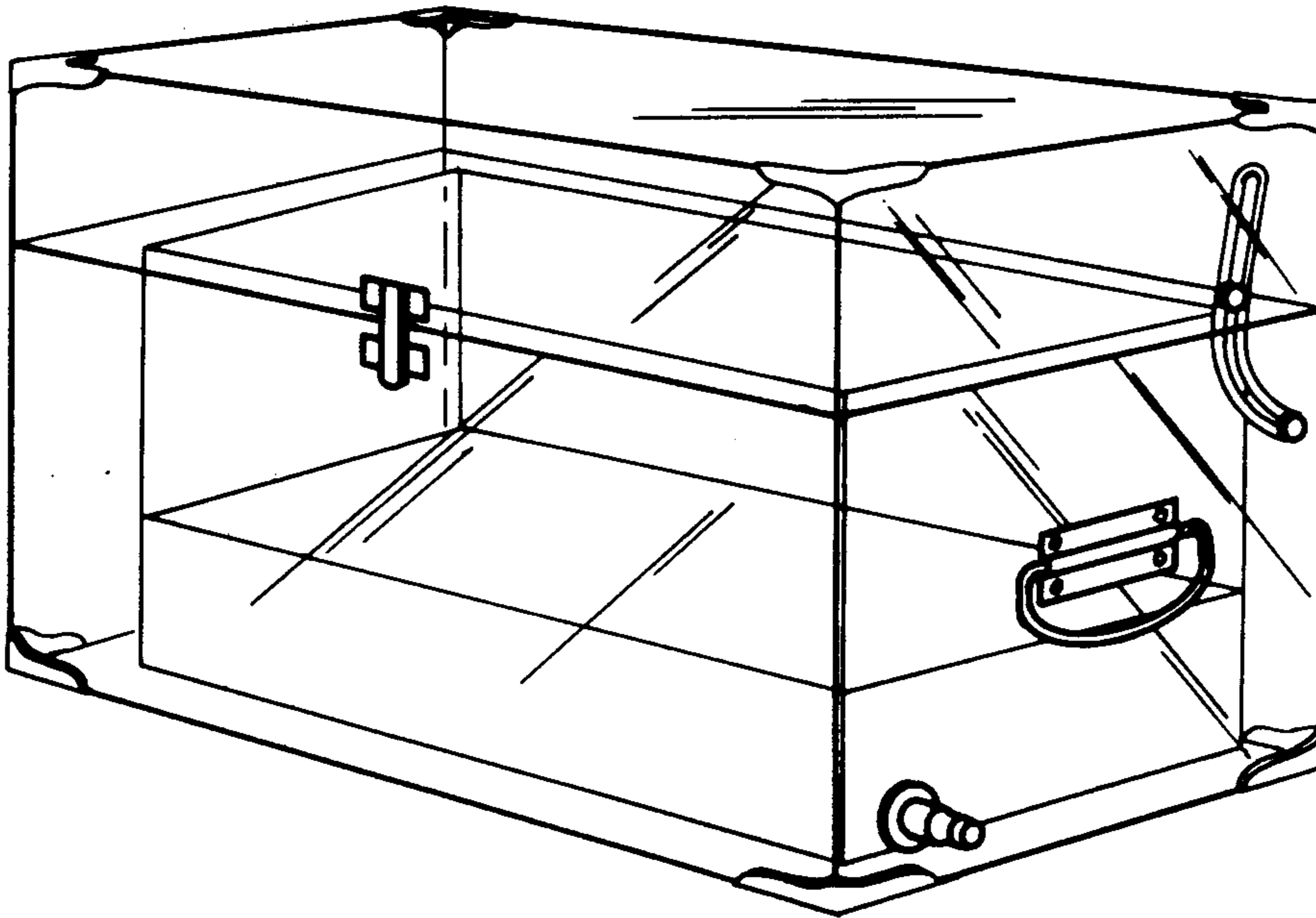
Primary Examiner—Bernard Ansher
Attorney, Agent, or Firm—Michael Kovac

[57] **CLAIM**

The ornamental design for an emergency portable incubator, as shown.

DESCRIPTION

FIG. 1 is a perspective view of my new design of emergency portable incubator;
FIG. 2 is a side elevational view of my emergency portable incubator; and
FIG. 3 is an end elevational view of my emergency portable incubator.



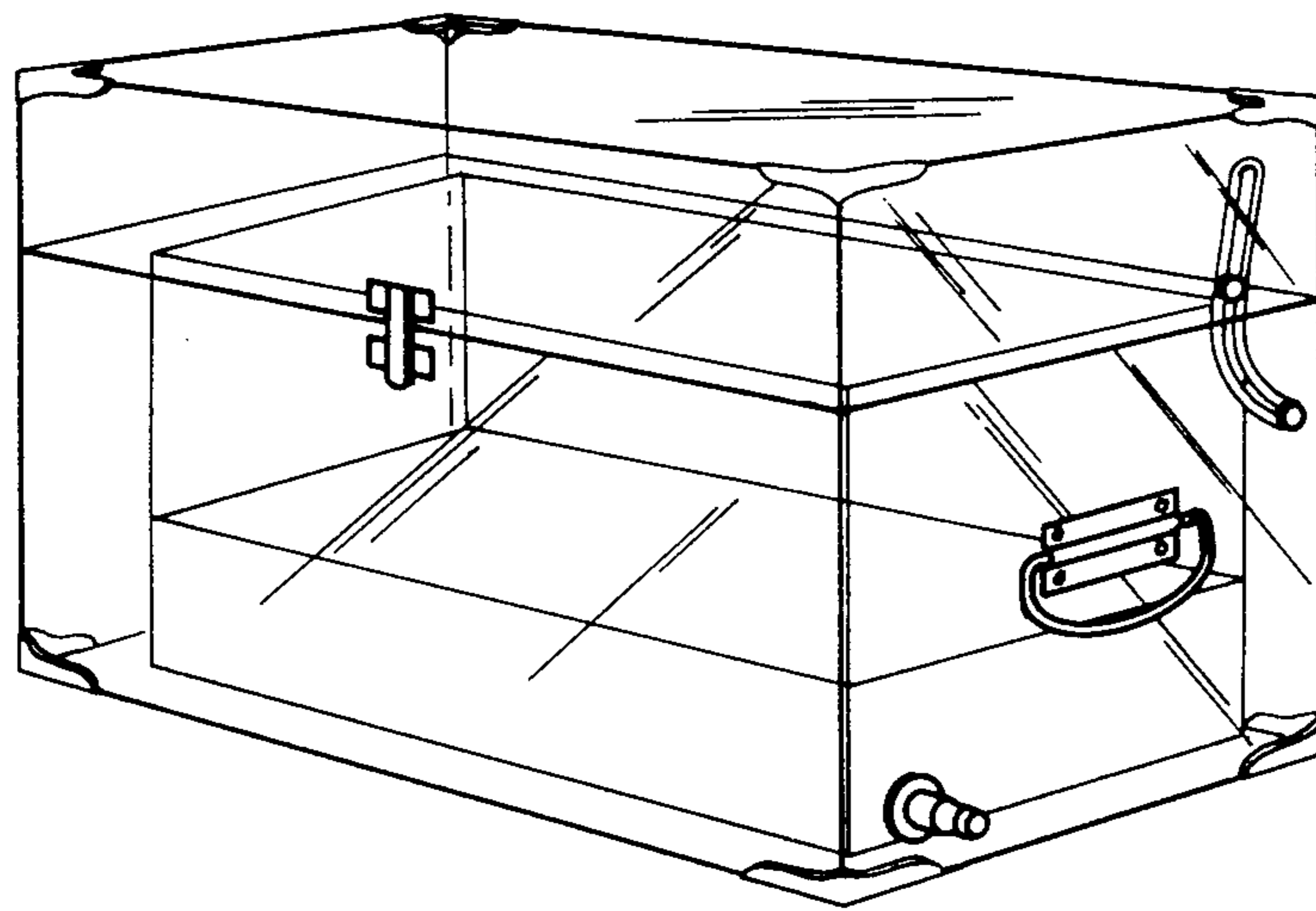


FIG. 1

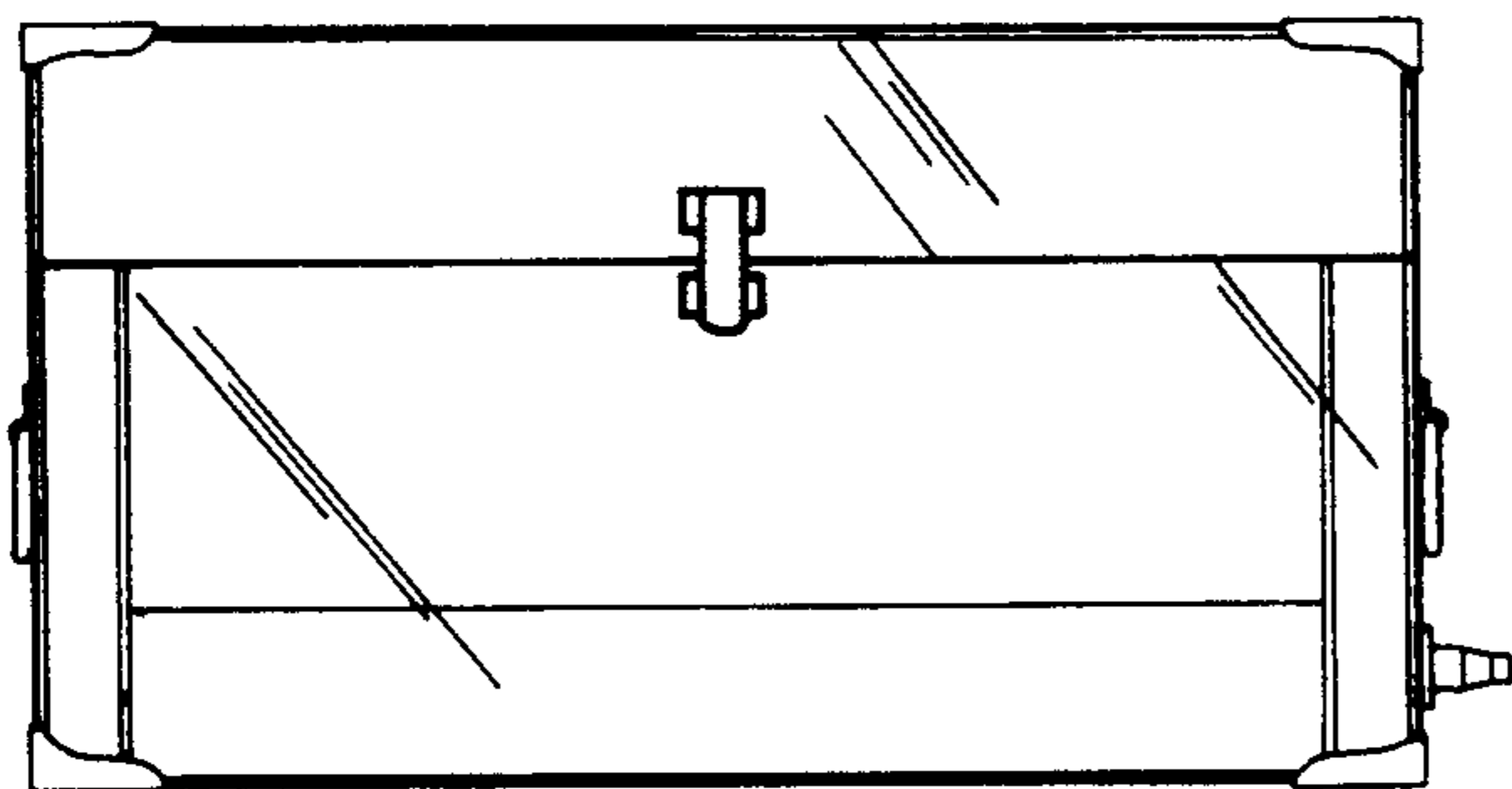


FIG. 2

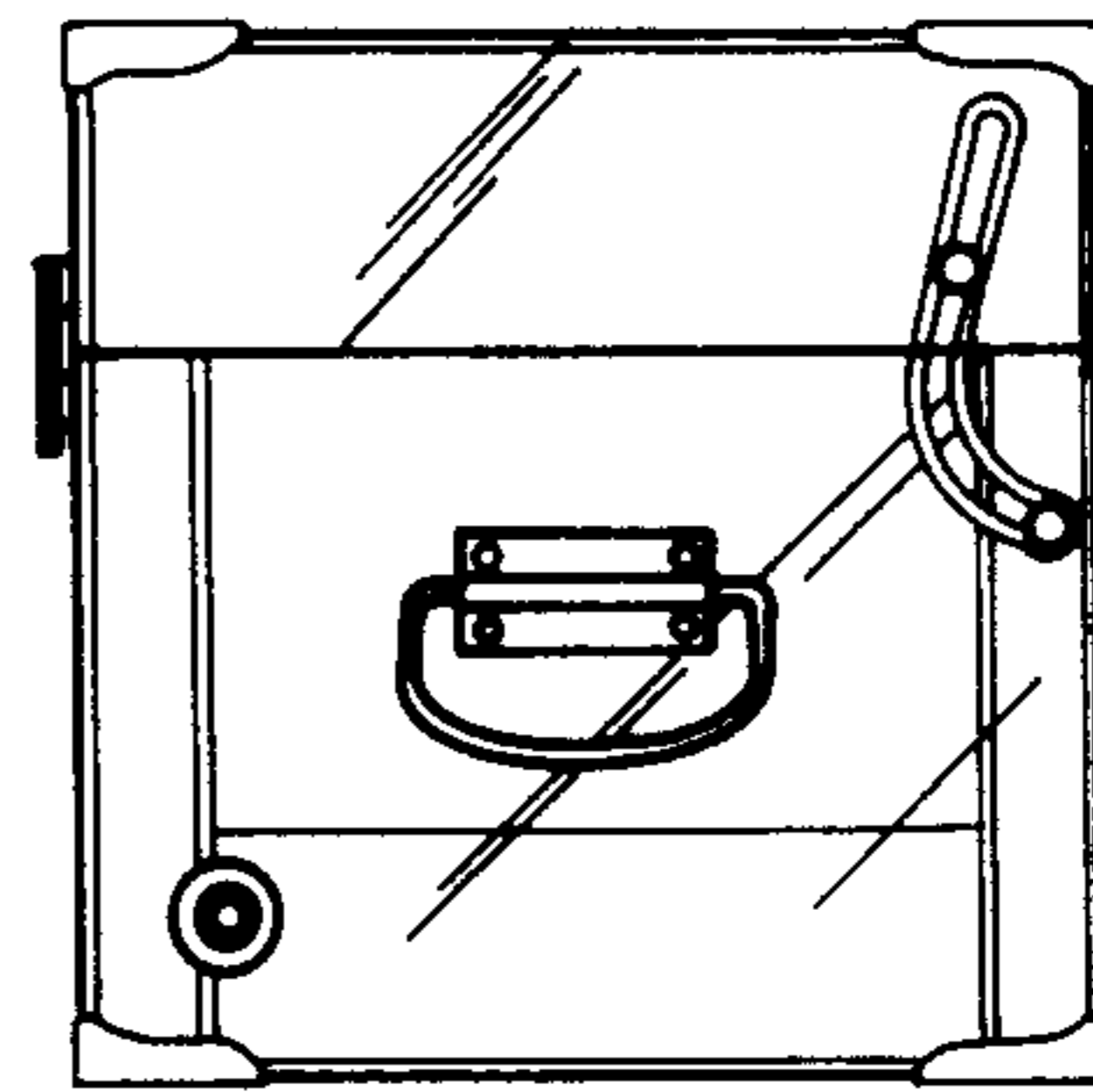


FIG. 3