

[54] **SOLAR WATER HEATER**

[75] **Inventor:** Roland W. Robbins, Jr., Ridgecrest, Calif.

[73] **Assignee:** SAV Solar Systems, Inc., Gardena, Calif.

[\*\*] **Term:** 14 Years

[21] **Appl. No.:** 22,694

[22] **Filed:** Mar. 22, 1979

[51] **Int. Cl.** ..... D23—03

[52] **U.S. Cl.** ..... D23/86

[58] **Field of Search** ..... D23/72, 86, 88, 127;  
126/415-451

[56] **References Cited**

**U.S. PATENT DOCUMENTS**

735,321	8/1903	Walker .....	126/427
1,989,999	2/1935	Niederle .....	126/424 X
2,141,330	12/1938	Abbot .....	126/433 X
2,205,378	6/1940	Abbot .....	126/438 X

*Primary Examiner*—Catherine E. Kemper  
*Attorney, Agent, or Firm*—James E. Brunton

[57] **CLAIM**

The ornamental design for a solar water heater, as shown and described.

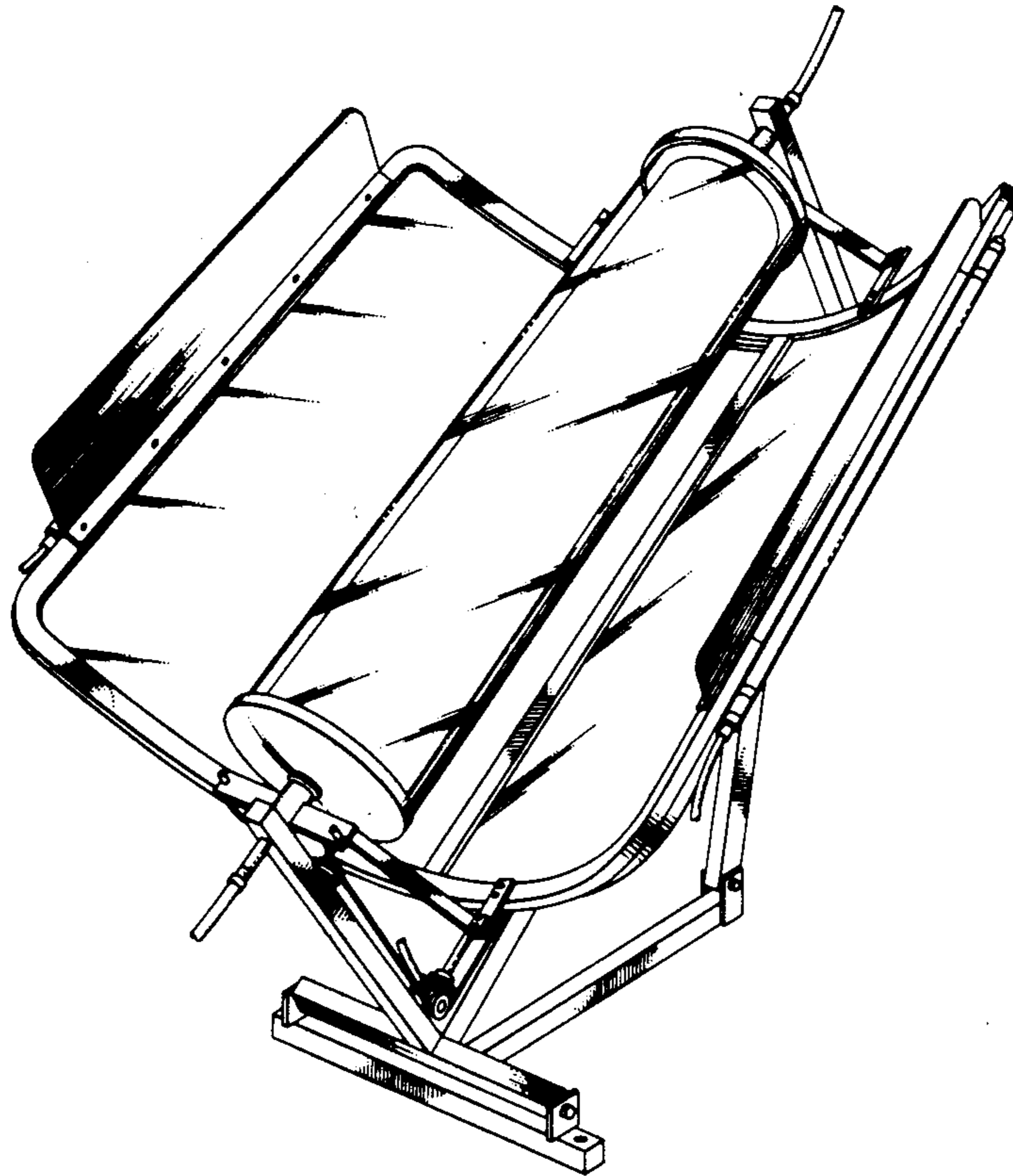
**DESCRIPTION**

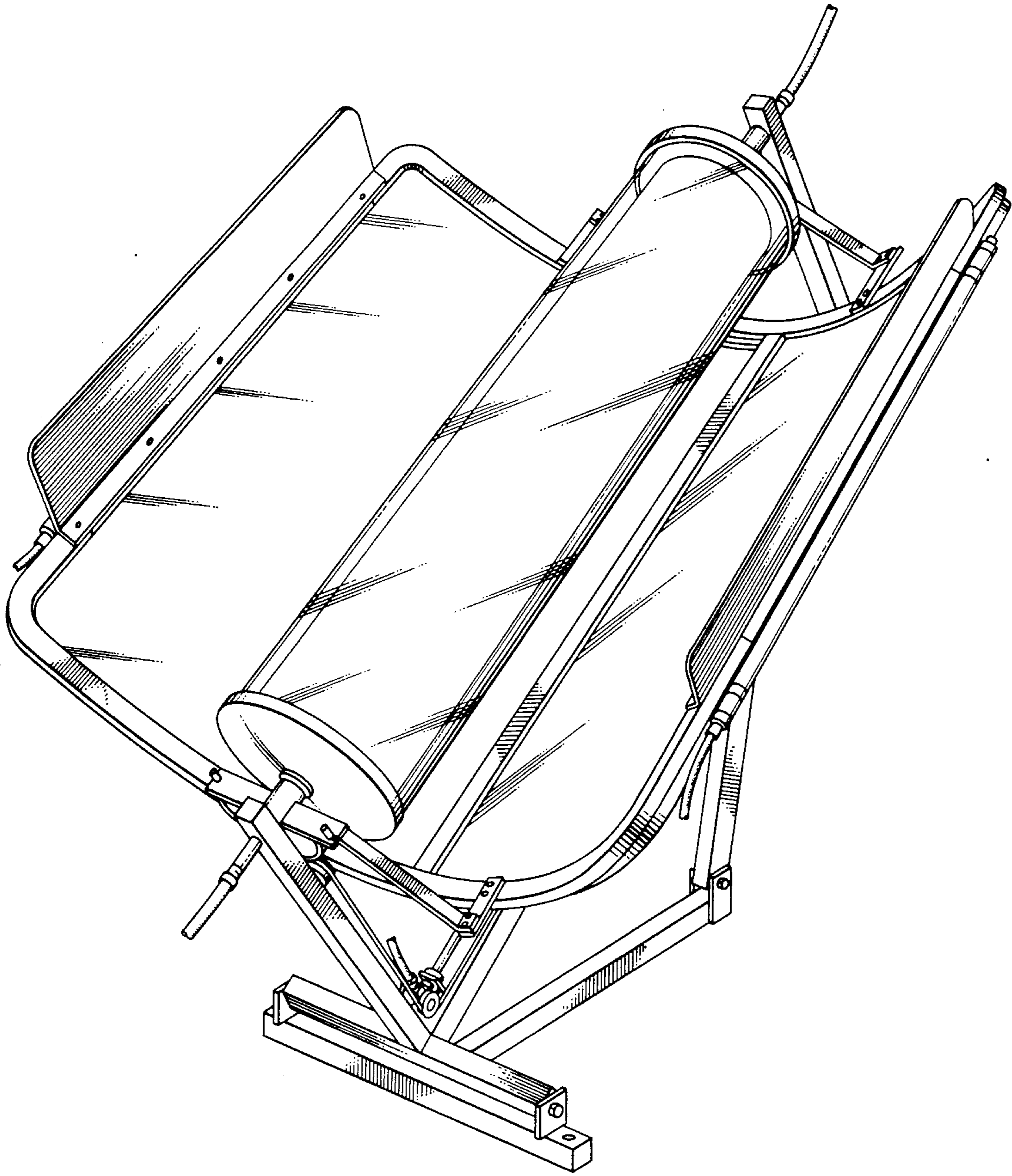
FIG. 1 is a perspective view of a solar water heater showing my new design;

FIG. 2 is a side view thereof;

FIG. 3 is a bottom view thereof.

The conventional tubes have been shown fragmentarily in all views for ease of illustration.





*FIG. 1.*

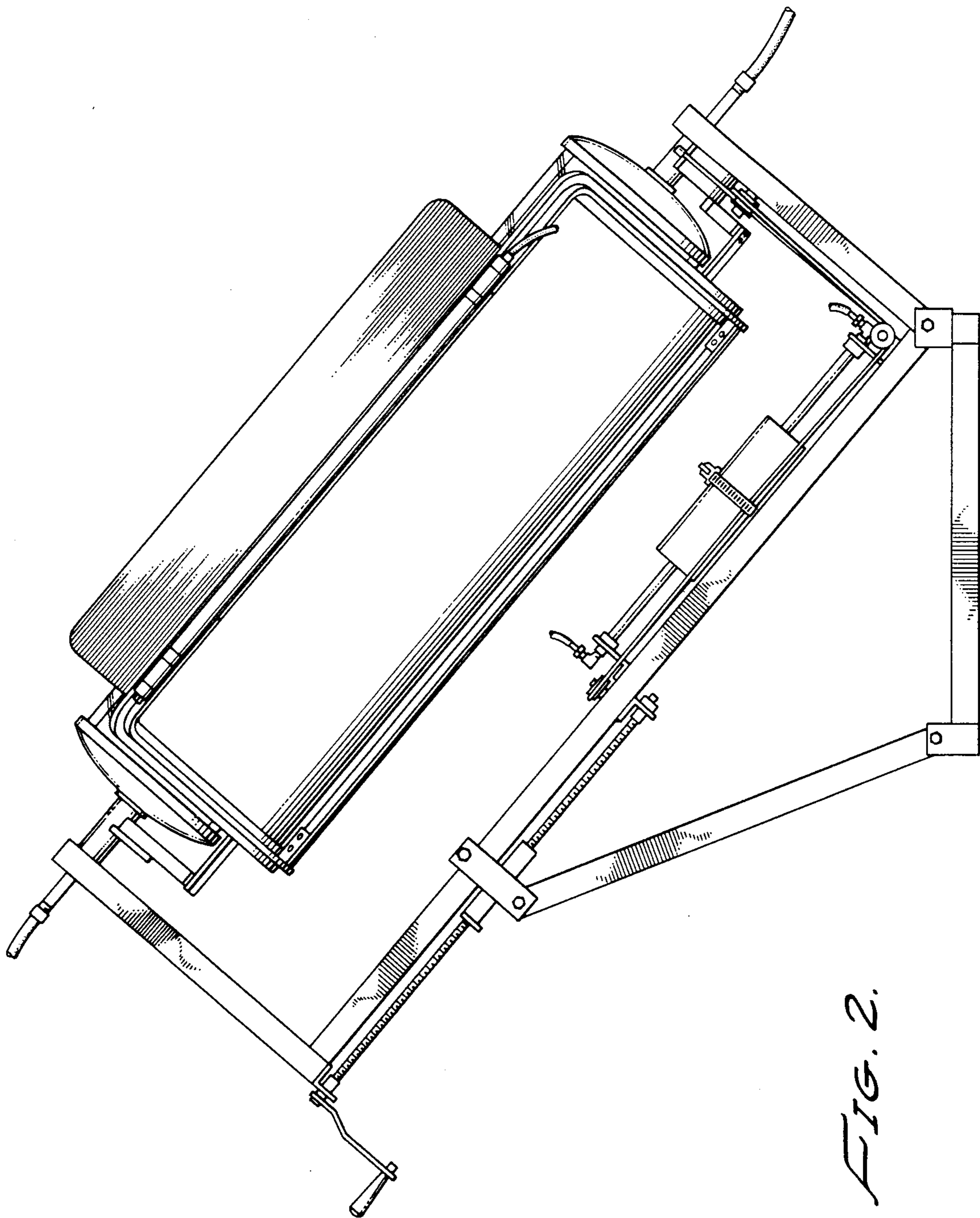


FIG. 2.



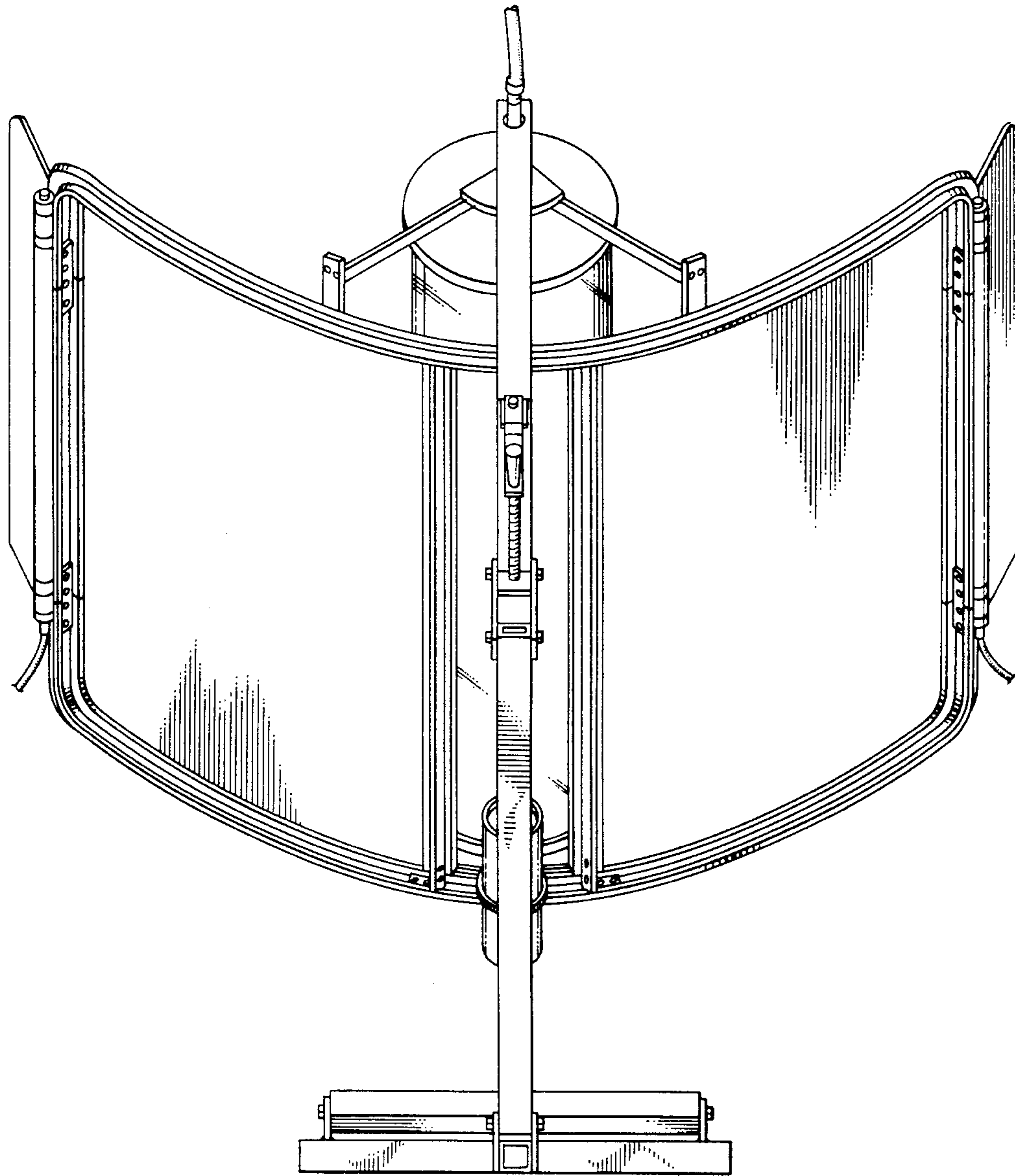


FIG. 3.