

[54] **SPRINKLER CONTROLLER**

[75] Inventors: **Oded E. Sturman; Benjamin Grill,**
both of Northridge, Calif.

[73] Assignee: **Hydronic Systems, Inc.,** Woodland
Hills, Calif.

[**] Term: **14 Years**

[21] Appl. No.: **928,007**

[22] Filed: **Jul. 25, 1978**

[51] Int. Cl. **D23-01**

[52] U.S. Cl. **D23/38**

[58] Field of Search **D23/34-40;**
137/624.2; 239/63, 64, 66

3,708,068	1/1973	Tischler	137/624.2 X
3,989,066	11/1976	Sturman et al.	239/66 X
3,991,375	11/1976	Riggs et al.	239/64 X
3,991,939	11/1976	Maclay	239/63
4,101,786	7/1978	Ruggles et al.	137/624.2 X
4,114,647	9/1978	Sturman et al.	239/63 X
4,146,054	3/1979	Kah, Jr.	137/624.2 X
4,180,099	12/1979	Moore	137/624.2

Primary Examiner—James R. Largen
Attorney, Agent, or Firm—Arthur Freilich

[57] **CLAIM**

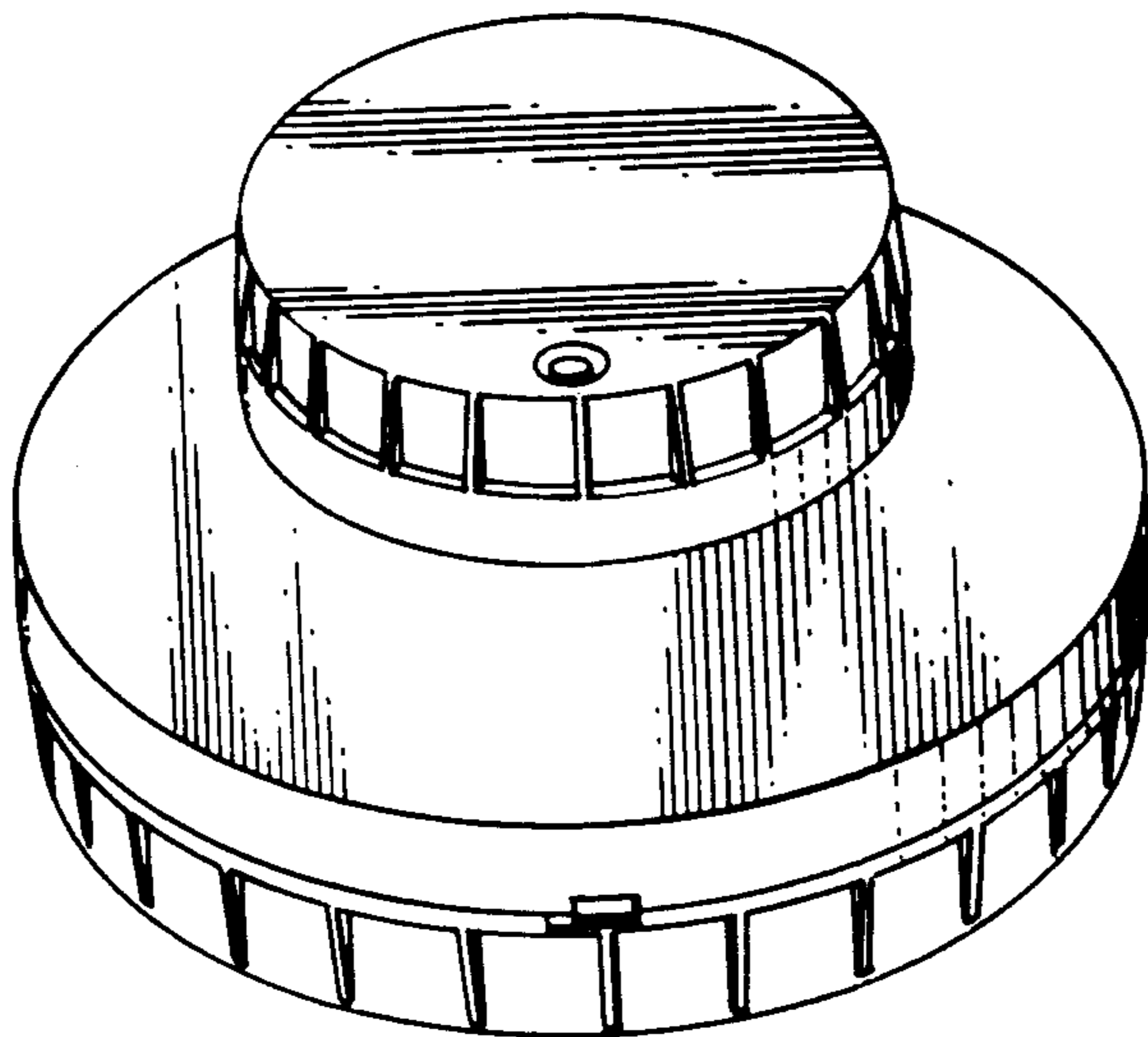
The design for a sprinkler controller, substantially as shown.

DESCRIPTION

FIG. 1 is a top perspective view of a sprinkler controller showing our new design.
FIG. 2 is a top plan view thereof.
FIG. 3 is a rear elevation view thereof.
FIG. 4 is a bottom perspective view thereof.
FIG. 5 is a slightly enlarged front perspective view thereof, with the top cover removed.

[56] **References Cited**
U.S. PATENT DOCUMENTS

D. 196,603	10/1963	Beinert	D23/38
D. 212,154	9/1968	Burton	D23/38
D. 247,717	4/1978	Sturman et al.	D23/38



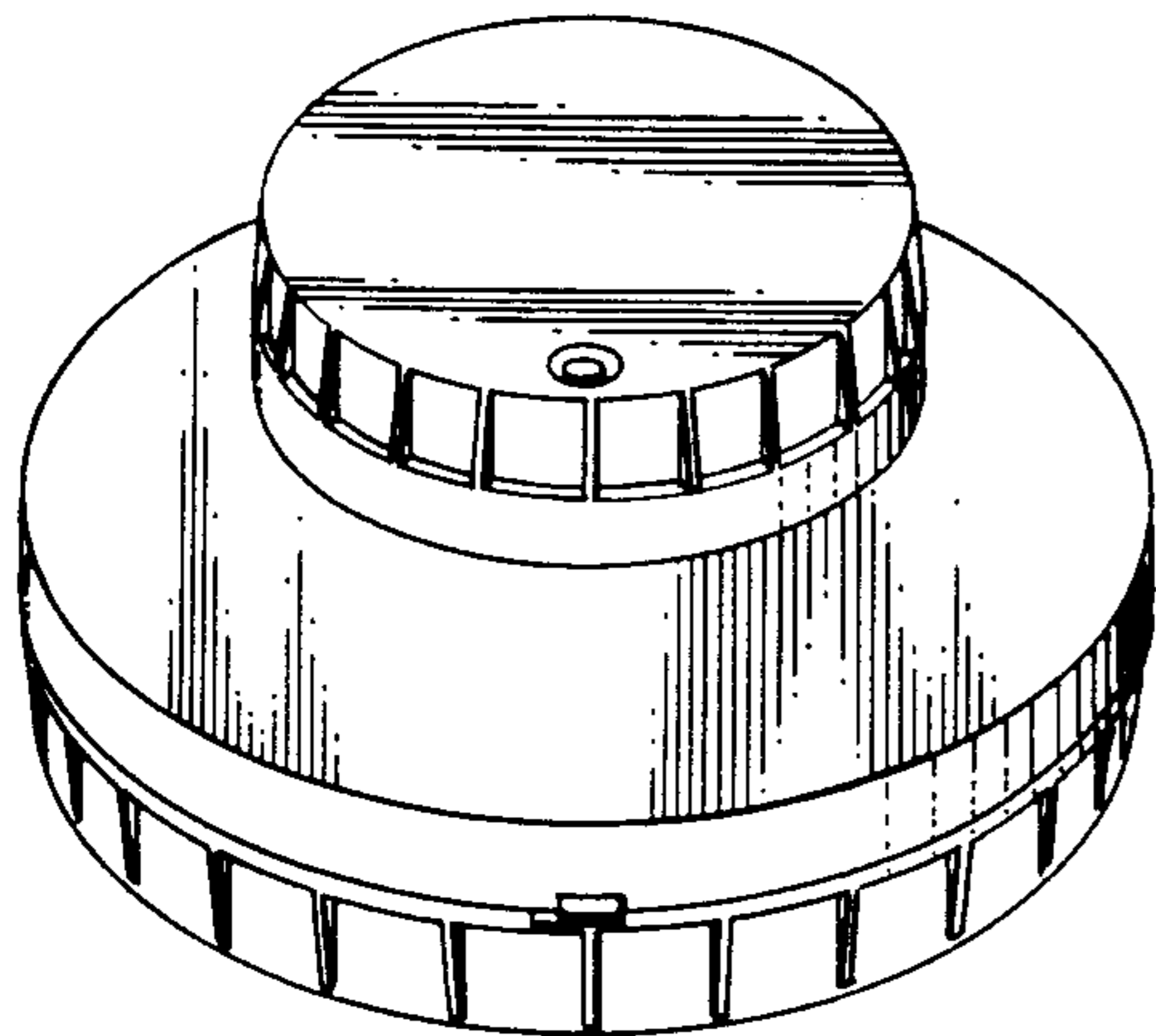


FIG. 1

FIG. 2

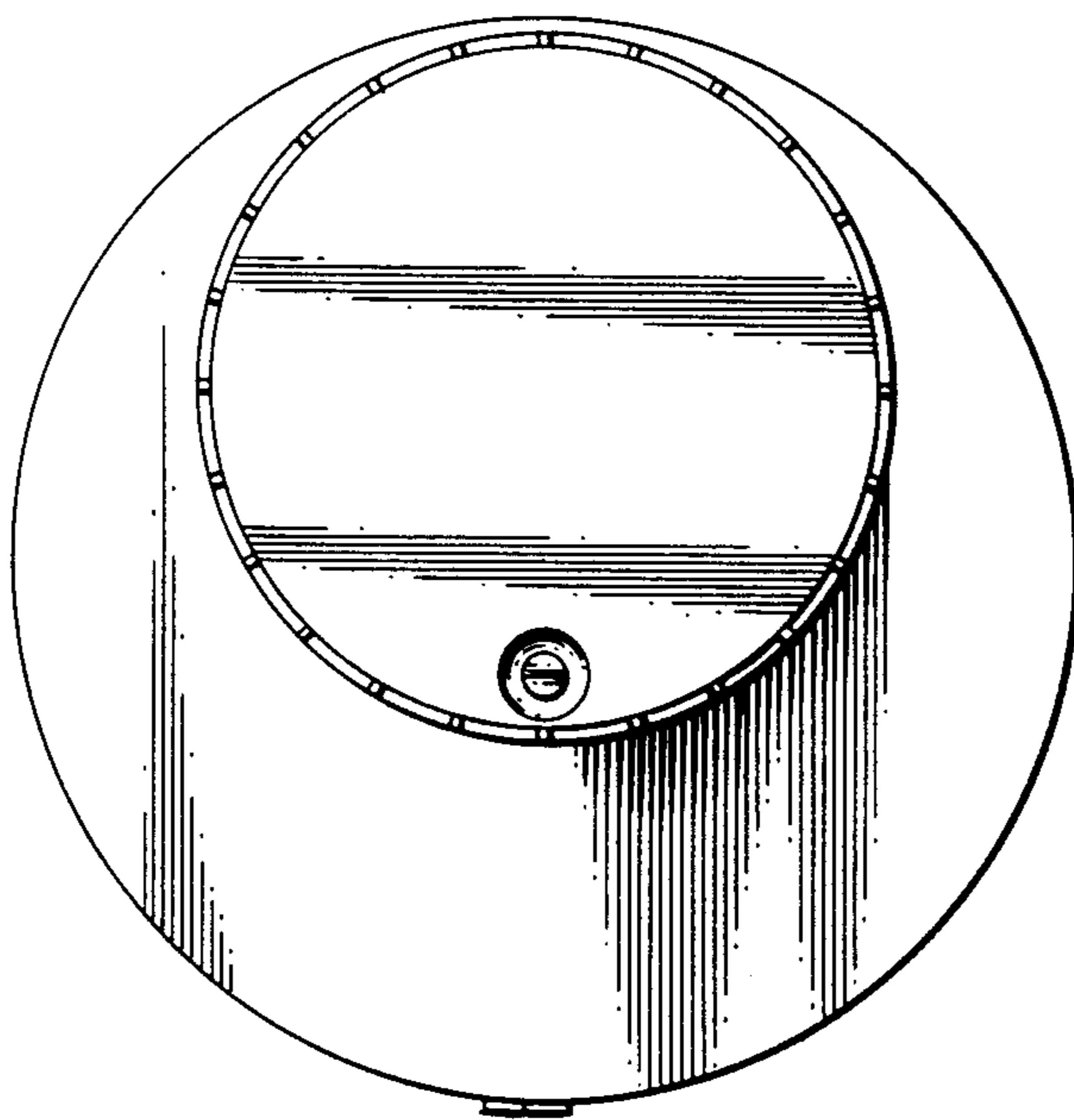
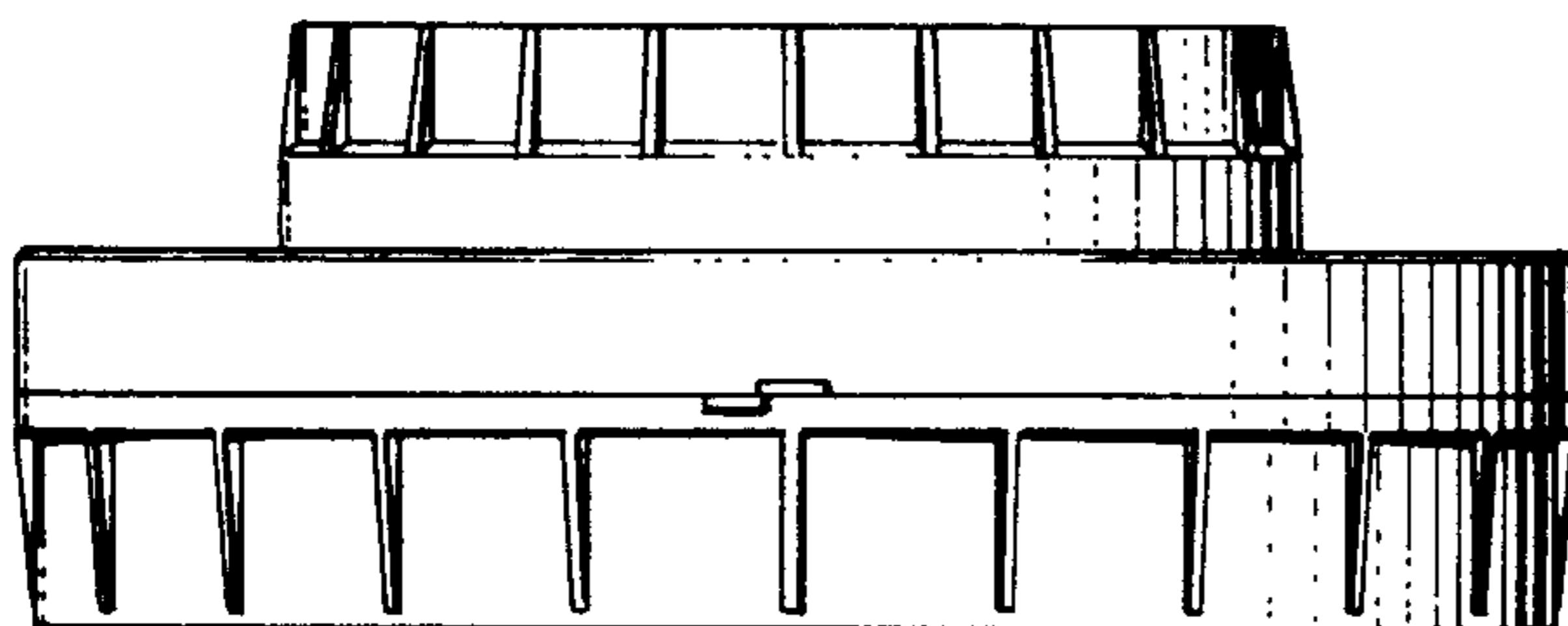


FIG. 3



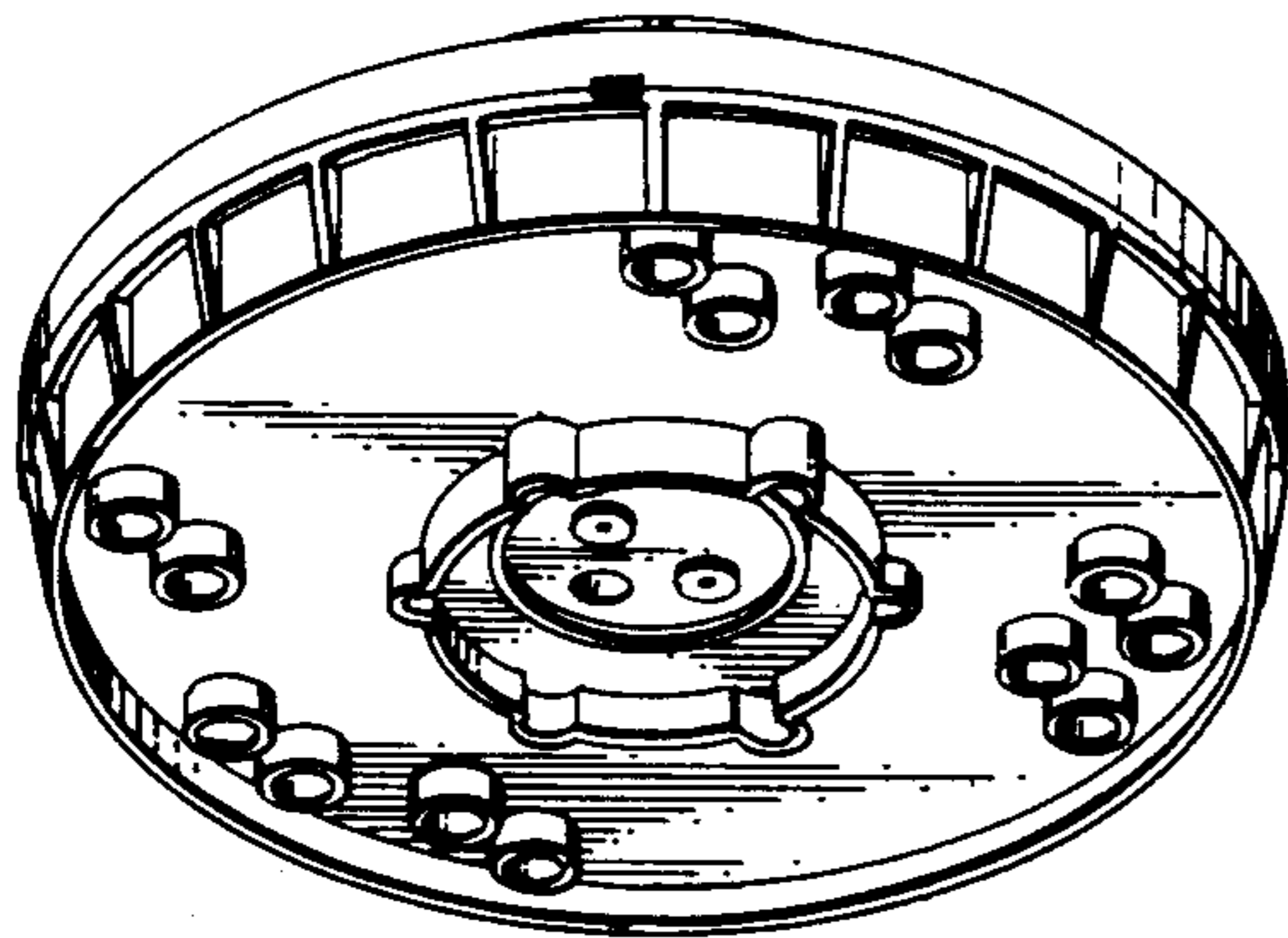


FIG. 4

FIG. 5

