

[54] MUSIC BOX

[76] Inventor: Chong T. Ahn, 923 Fulton Ave., San Leandro, Calif. 94577

[**] Term: 14 Years

[21] Appl. No.: 885,788

[22] Filed: Mar. 13, 1978

[51] Int. Cl. D17-05

[52] U.S. Cl. D17/24

[58] Field of Search D17/24, 99; D21/117, D21/64

[56] References Cited

U.S. PATENT DOCUMENTS

D. 108,713	3/1938	Bueschell	D21/117
D. 164,003	7/1951	Kelley	D17/24
D. 165,587	1/1952	Kaufman	D17/24 X
D. 180,077	4/1957	Gelardin	D21/64

OTHER PUBLICATIONS

Japanese Illustration, E. F. Strange, 2nd Ed., pub'd. 1904, p. 110A, "Hiroshige I, View on Lake Biwa".

Primary Examiner—Jane E. Corrigan
Attorney, Agent, or Firm—Robert E. Wickersham

[57] CLAIM

The ornamental design for music box, substantially as shown and described.

DESCRIPTION

FIG. 1 is a front elevational view of a music box showing my new design;
FIG. 2 is a rear elevational view;
FIG. 3 is a left side elevational view;
FIG. 4 is a right side elevational view;
FIG. 5 is a top plan view, with the simulated street pattern partially shown being continuous over the circular platform surface upon which the bridge and sailboats are placed; and
FIG. 6 is a bottom plan view.

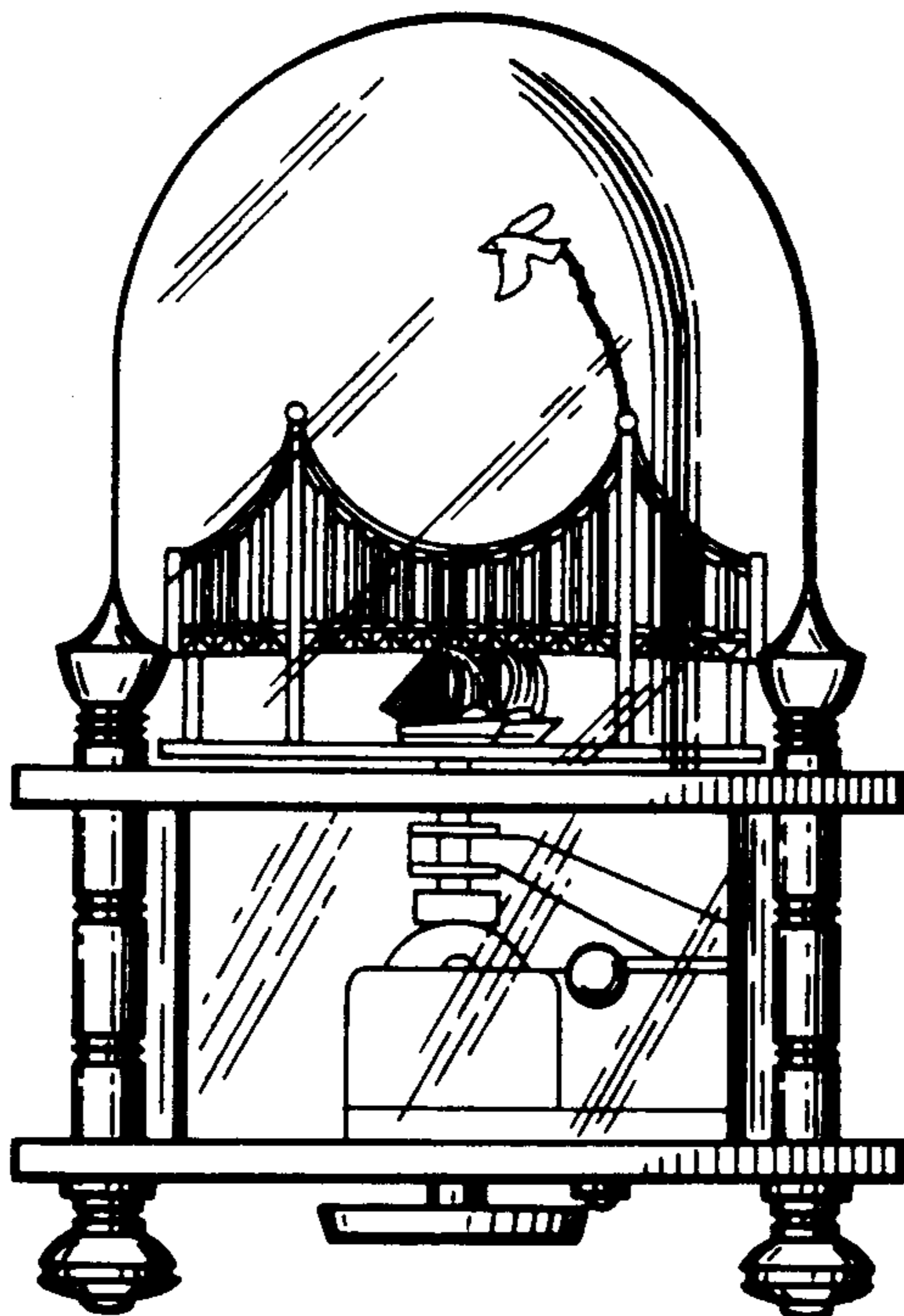


FIG. 1

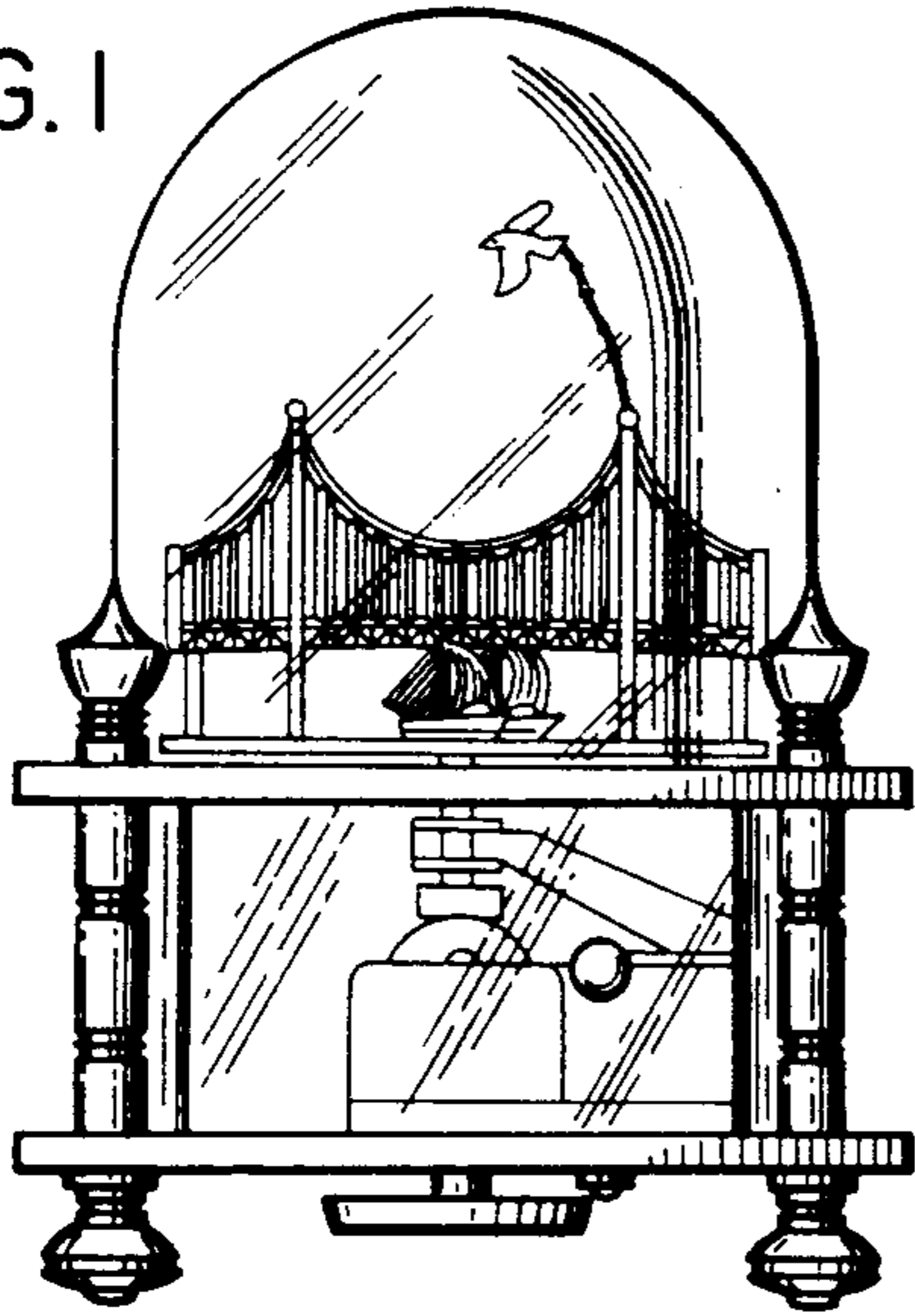


FIG. 3

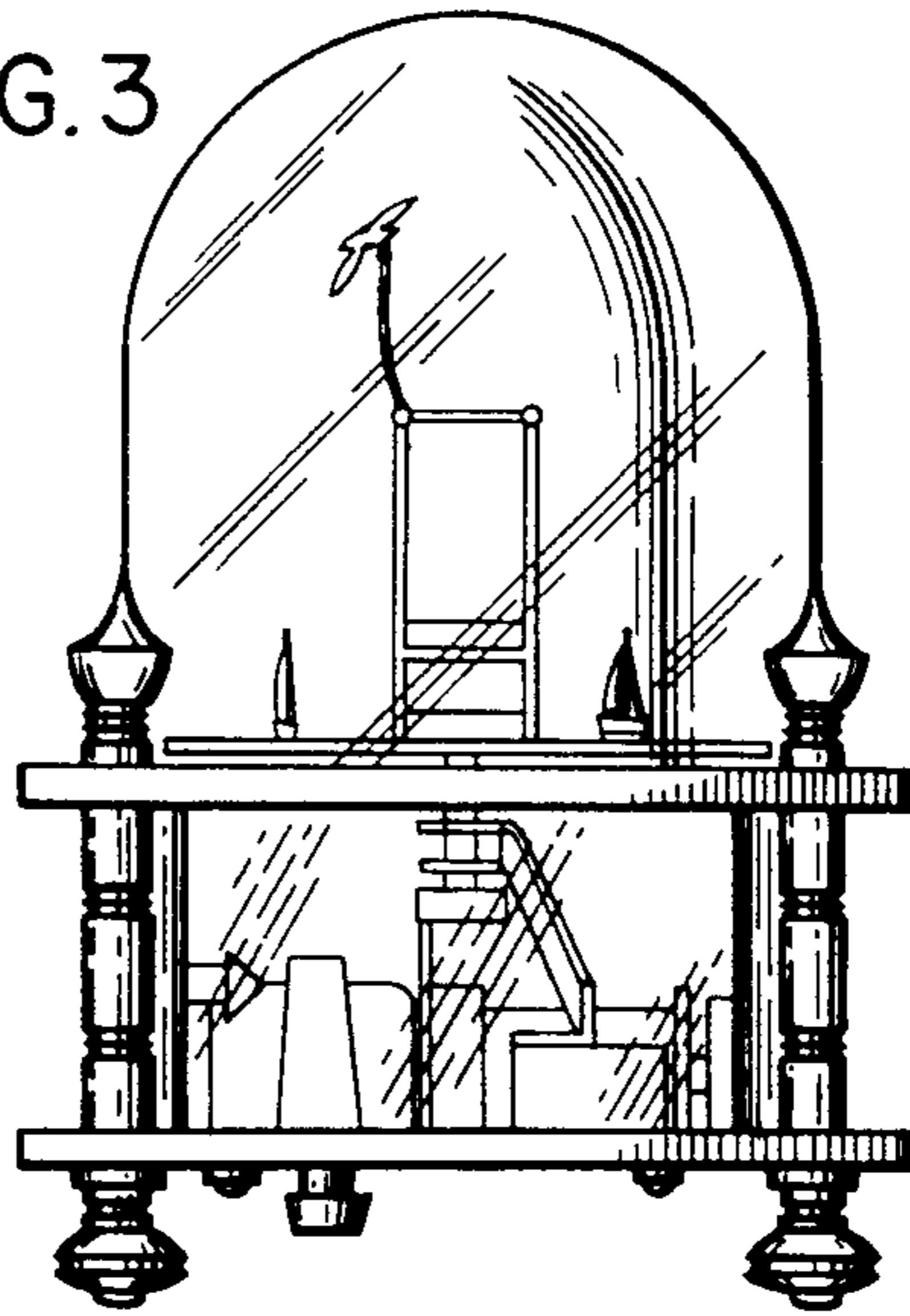


FIG. 2

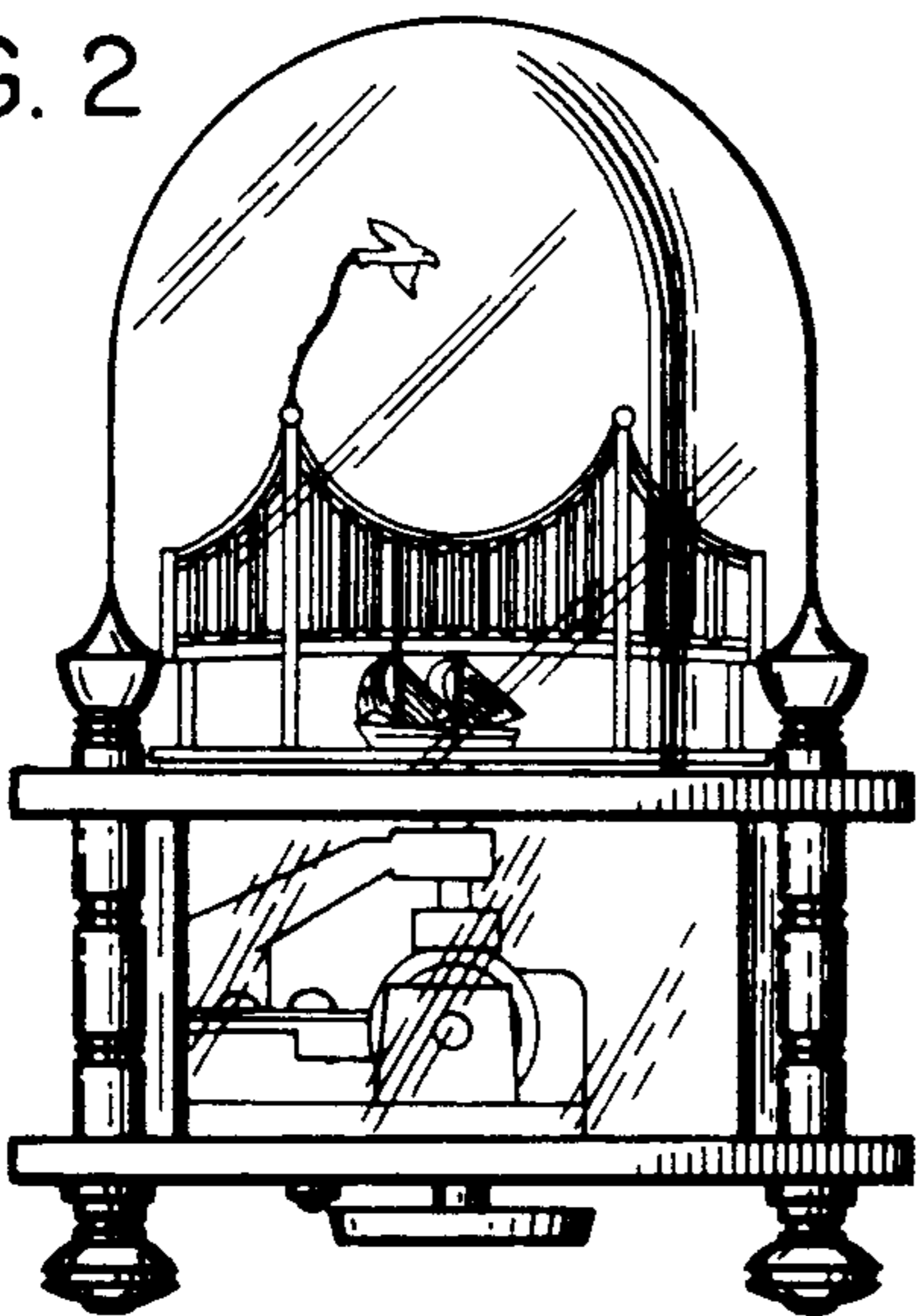


FIG. 4

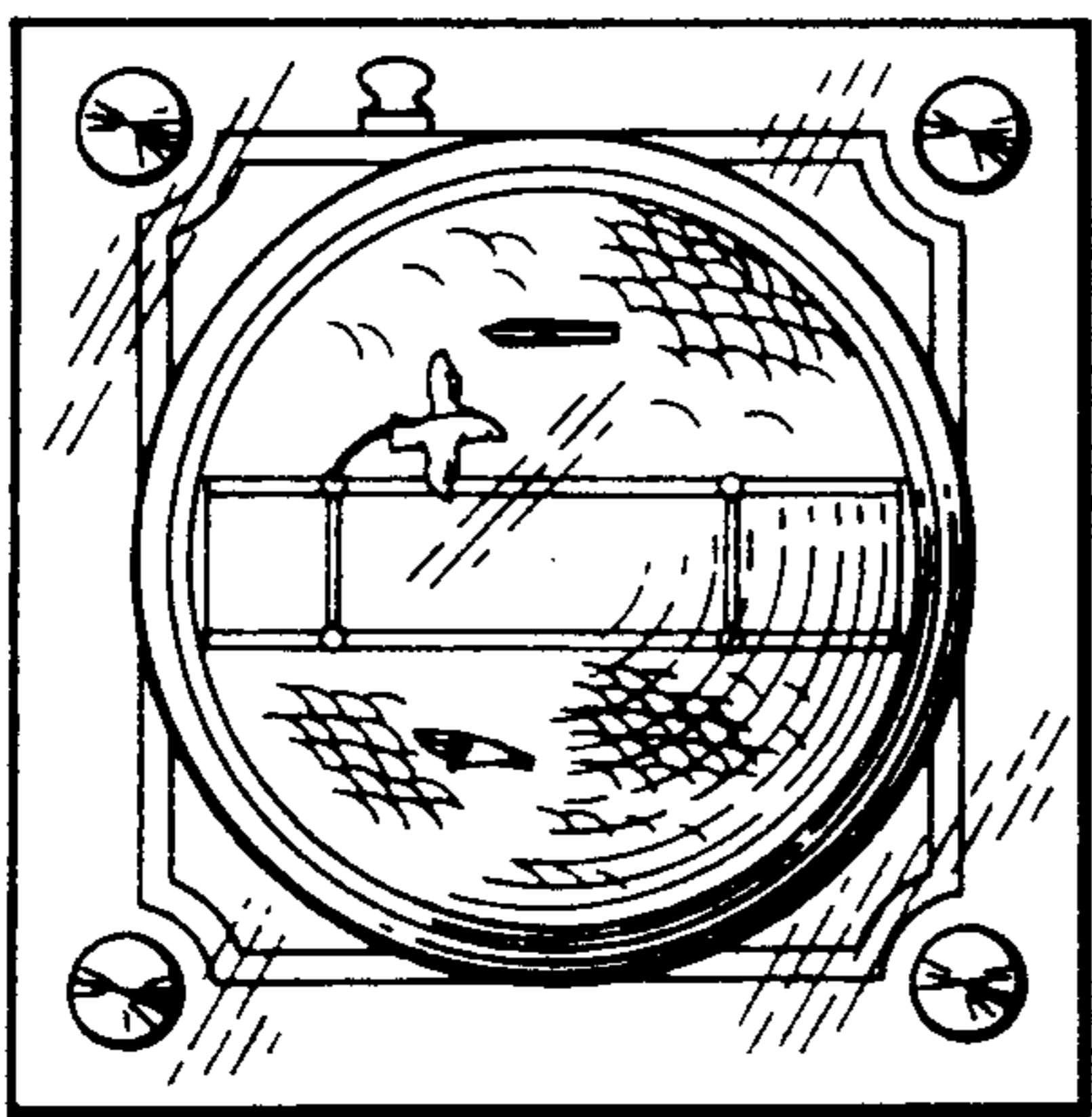
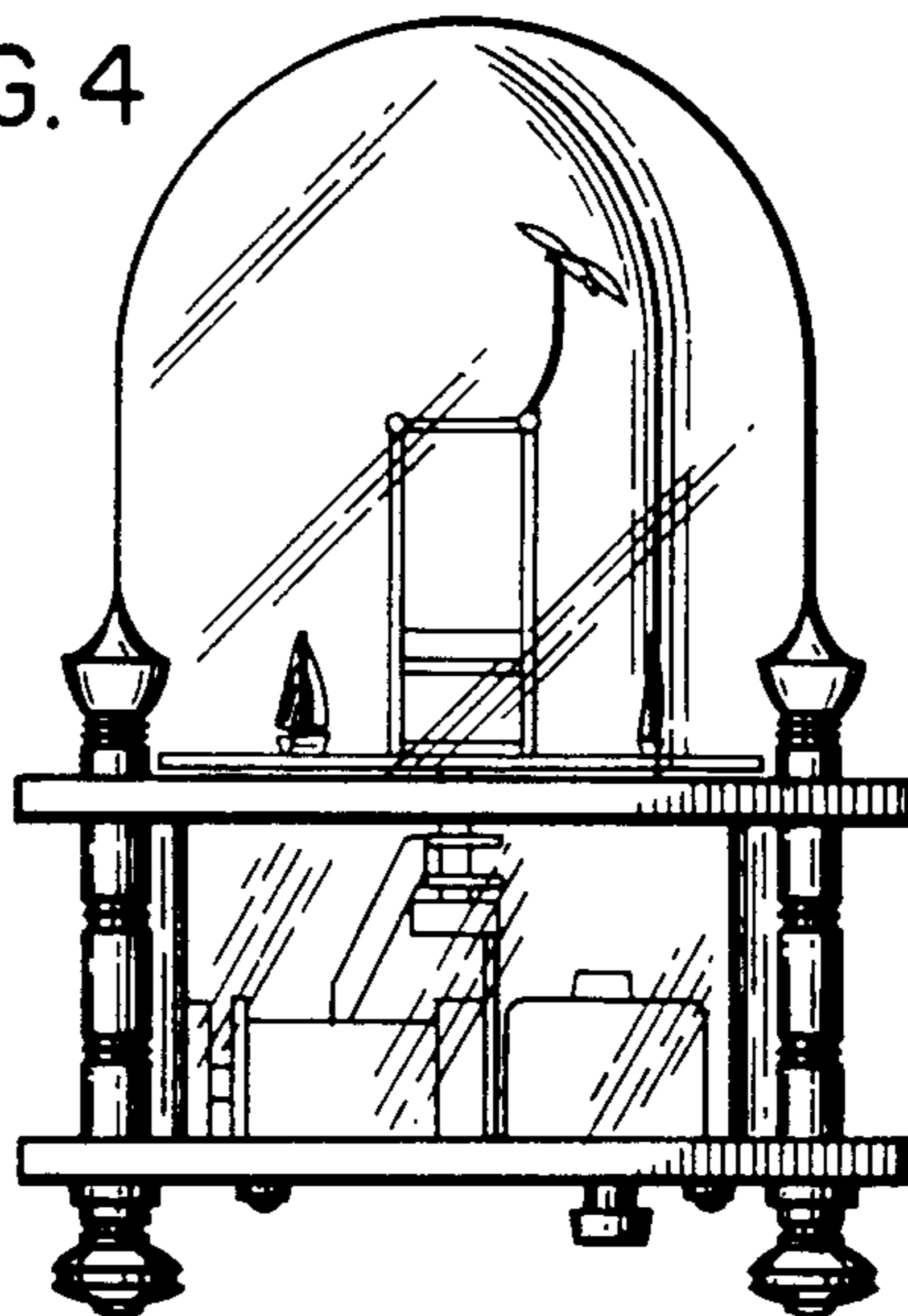


FIG. 5

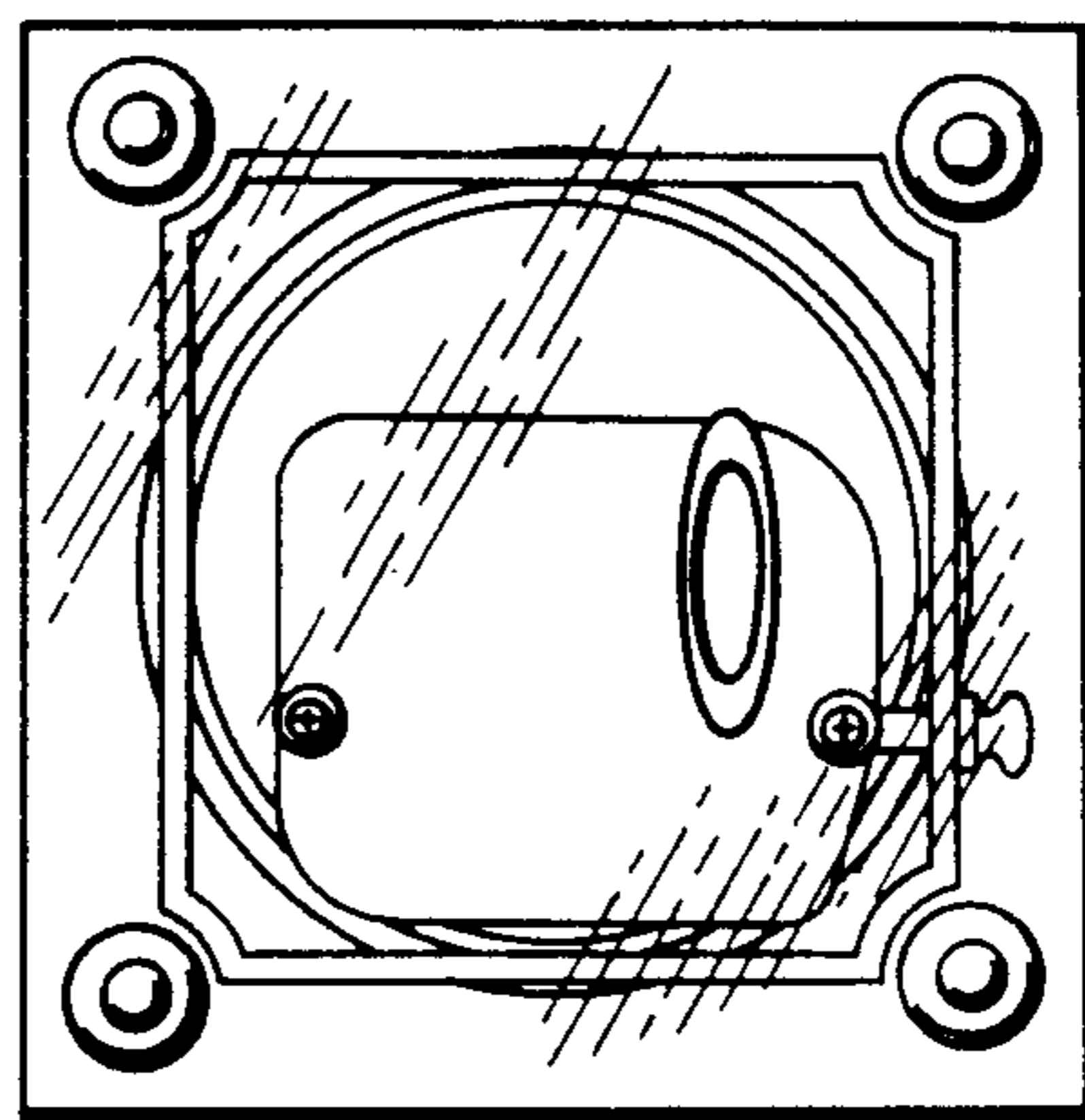


FIG. 6