

[54] MULTITONE DRUM

[76] Inventor: G. Paul Widener, 5910 N. San Bernardo, #165, Laredo, Tex. 78041

[\*\*] Term: 14 Years

[21] Appl. No.: 37,901

[22] Filed: May 10, 1979

[51] Int. Cl. .... D17-04

[52] U.S. Cl. .... D17/22

[58] Field of Search ..... D17/22, 99; 84/411 R, 84/419

[56] References Cited

U.S. PATENT DOCUMENTS

- D. 210,321 2/1968 Samperi ..... D17/22
- 4,184,407 1/1980 Townshend ..... 84/411 R

FOREIGN PATENT DOCUMENTS

1069999 11/1959 Fed. Rep. of Germany ..... 84/419

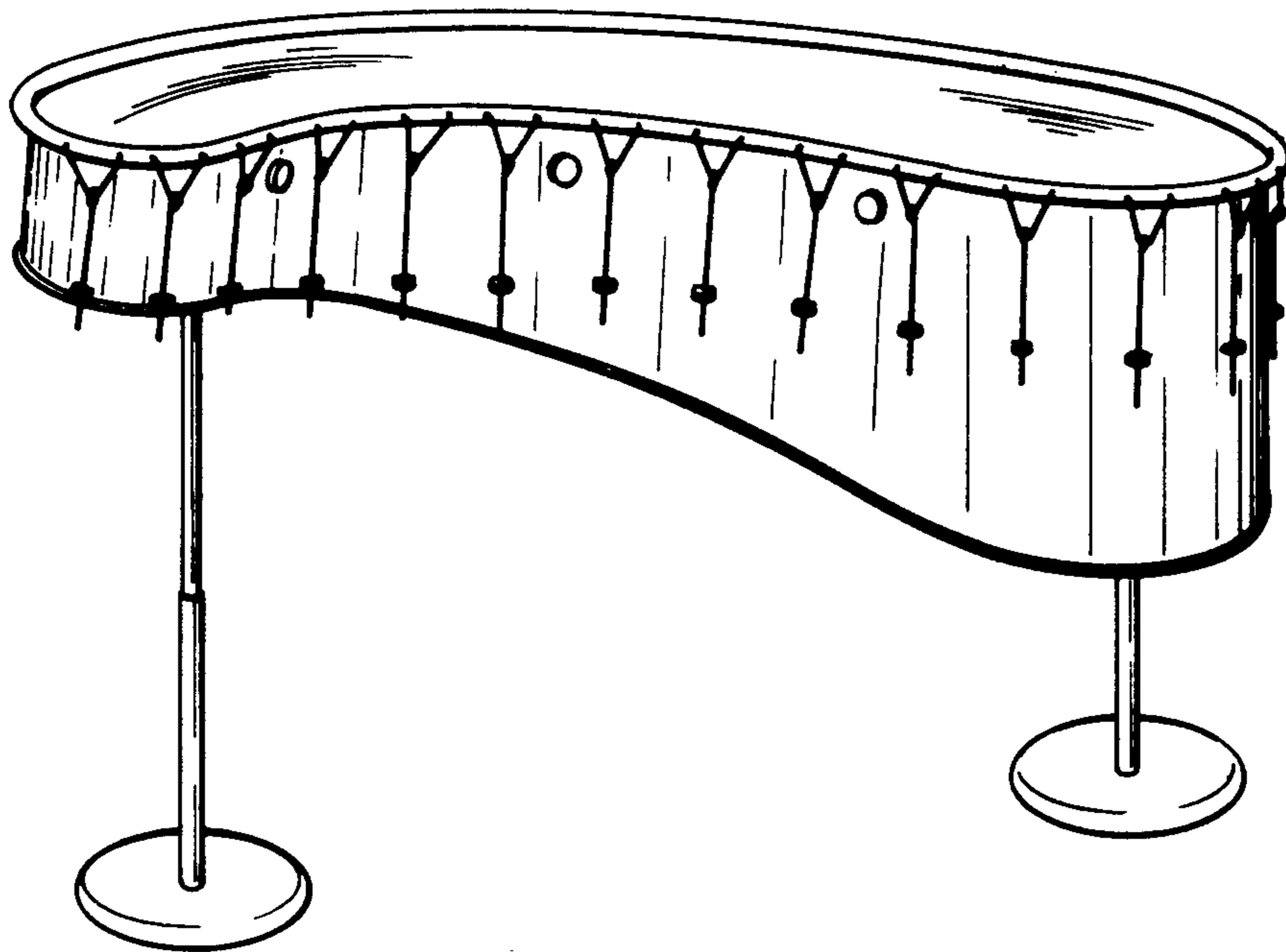
Primary Examiner—Jane E. Corrigan  
Attorney, Agent, or Firm—Richards, Harris & Medlock

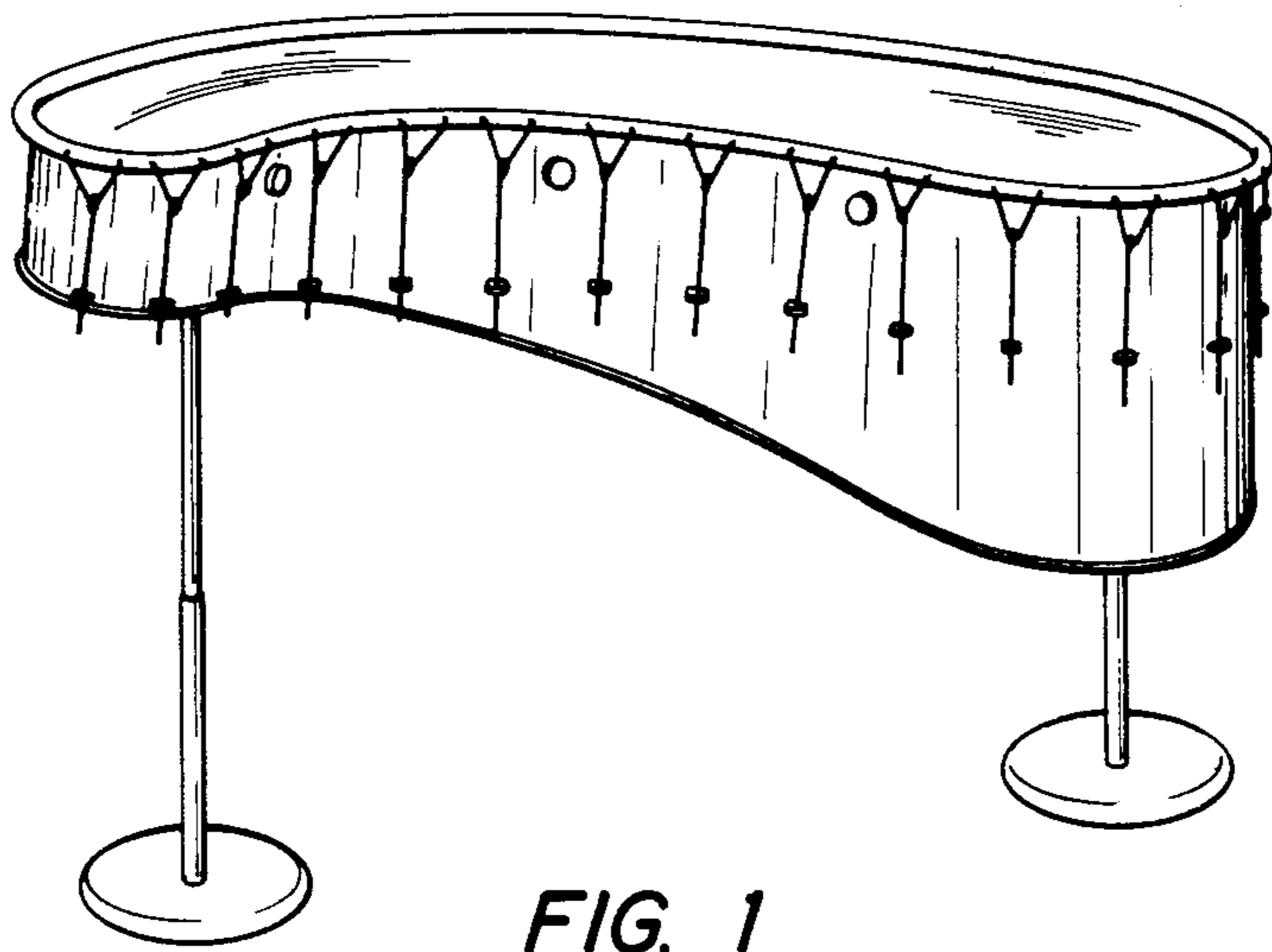
[57] CLAIM

The ornamental design for a multitone drum, as shown and described.

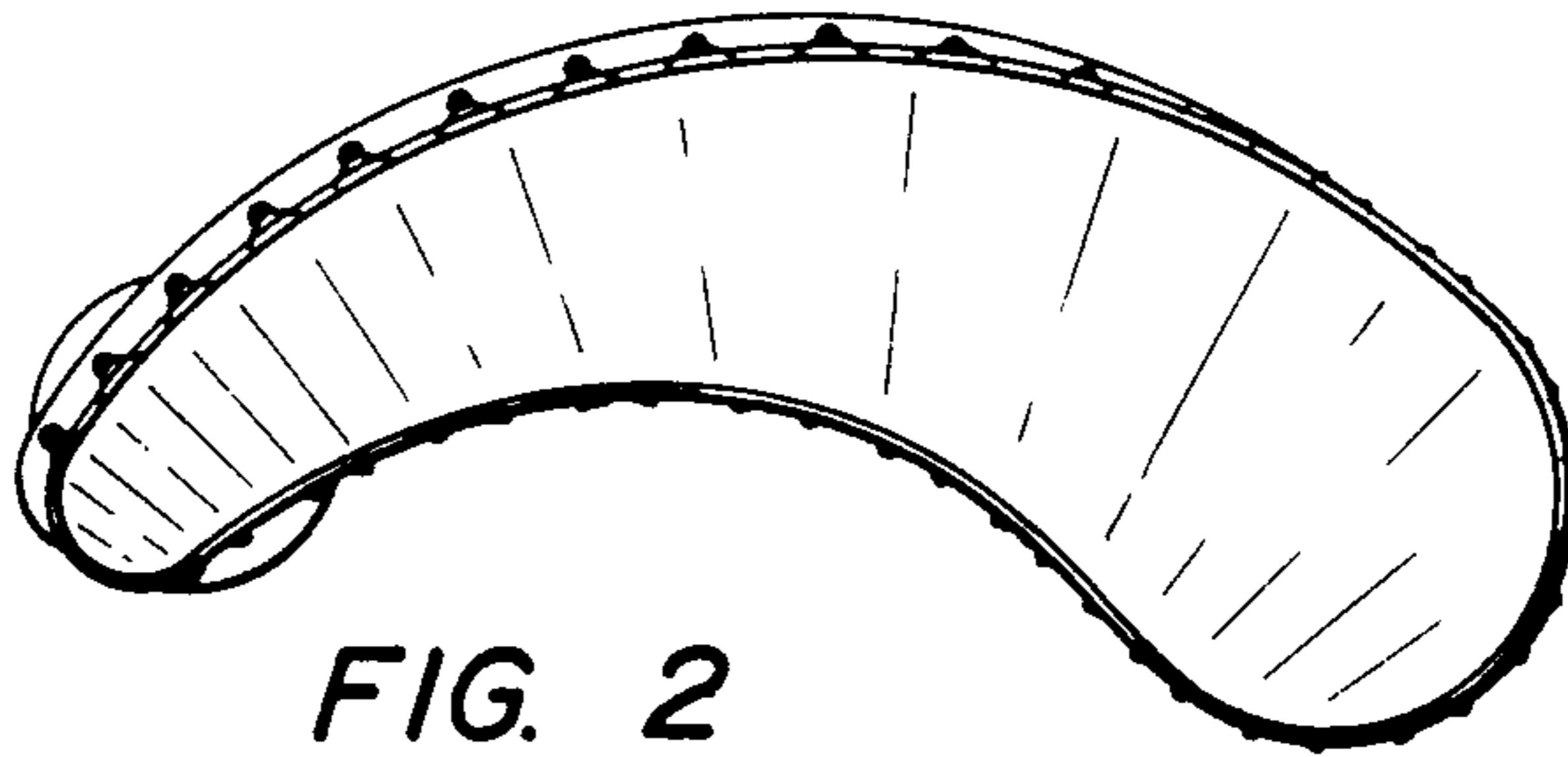
DESCRIPTION

FIG. 1 is a front and top perspective view of a multitone drum showing my new design;  
 FIG. 2 is a top plan view;  
 FIG. 3 is a front elevational view;  
 FIG. 4 is a rear elevational view;  
 FIG. 5 is a right side elevational view;  
 FIG. 6 is a left side elevational view; and  
 FIG. 7 is a bottom plan view.

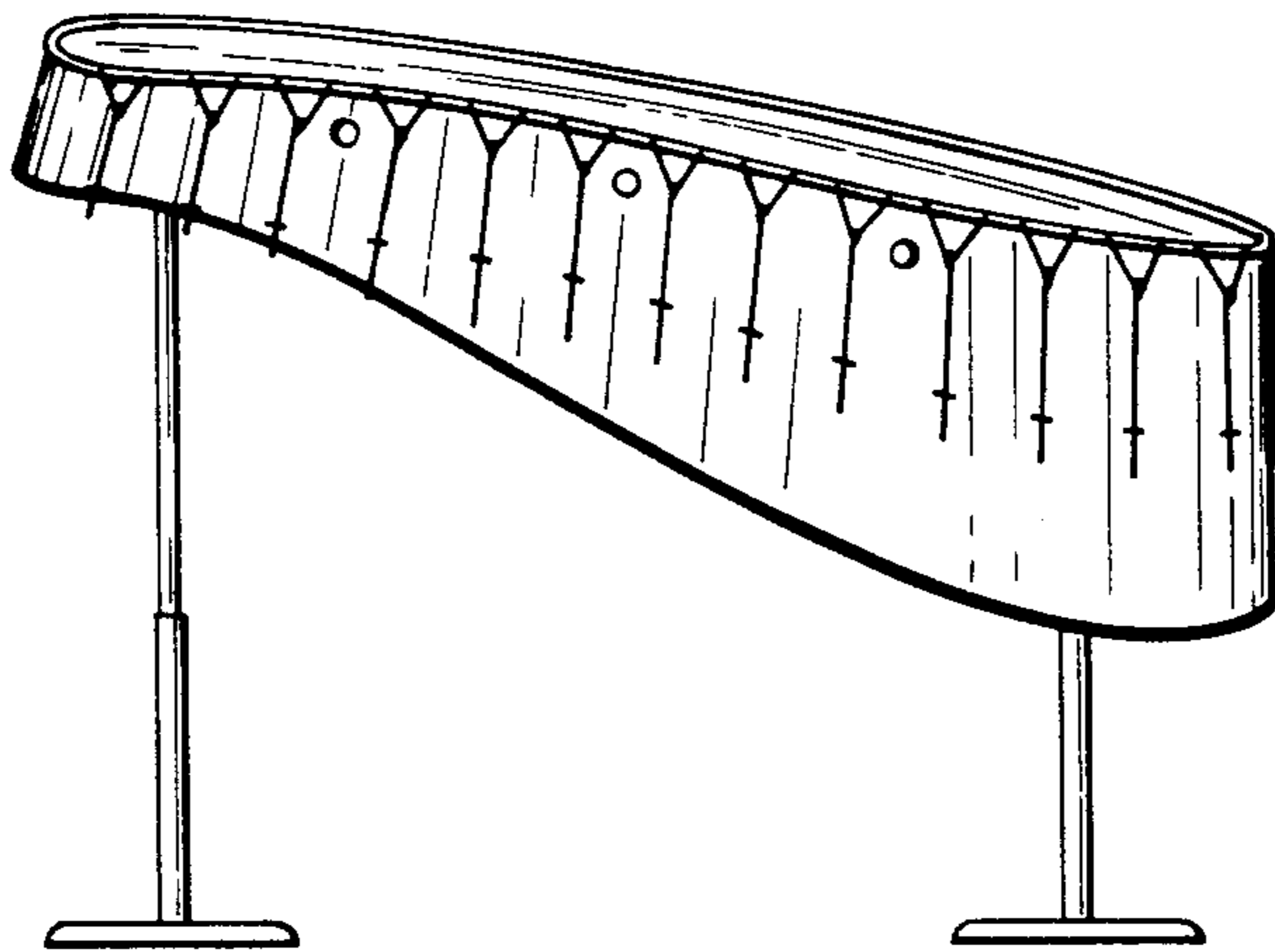




*FIG. 1*



*FIG. 2*



*FIG. 3*

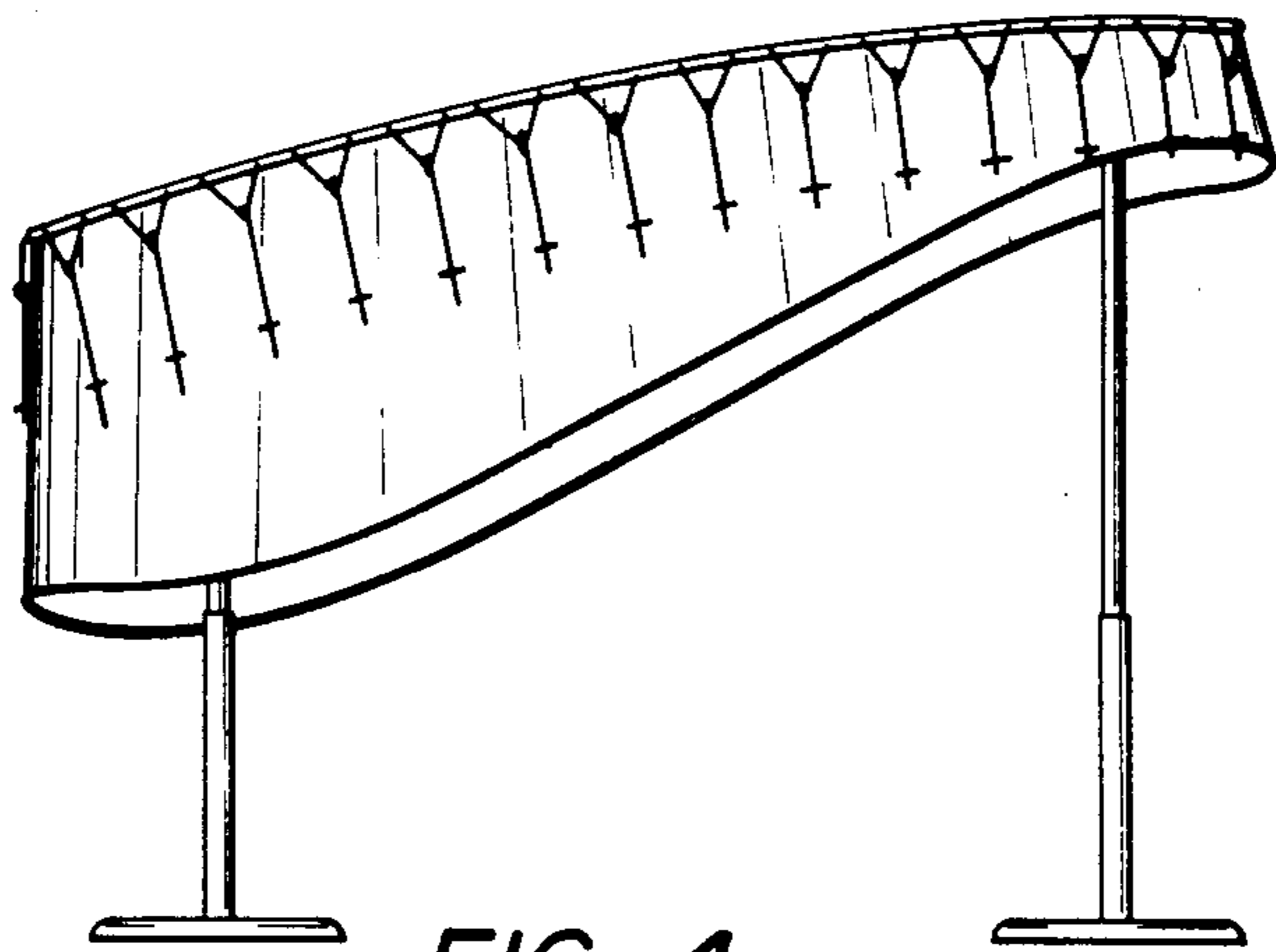


FIG. 4

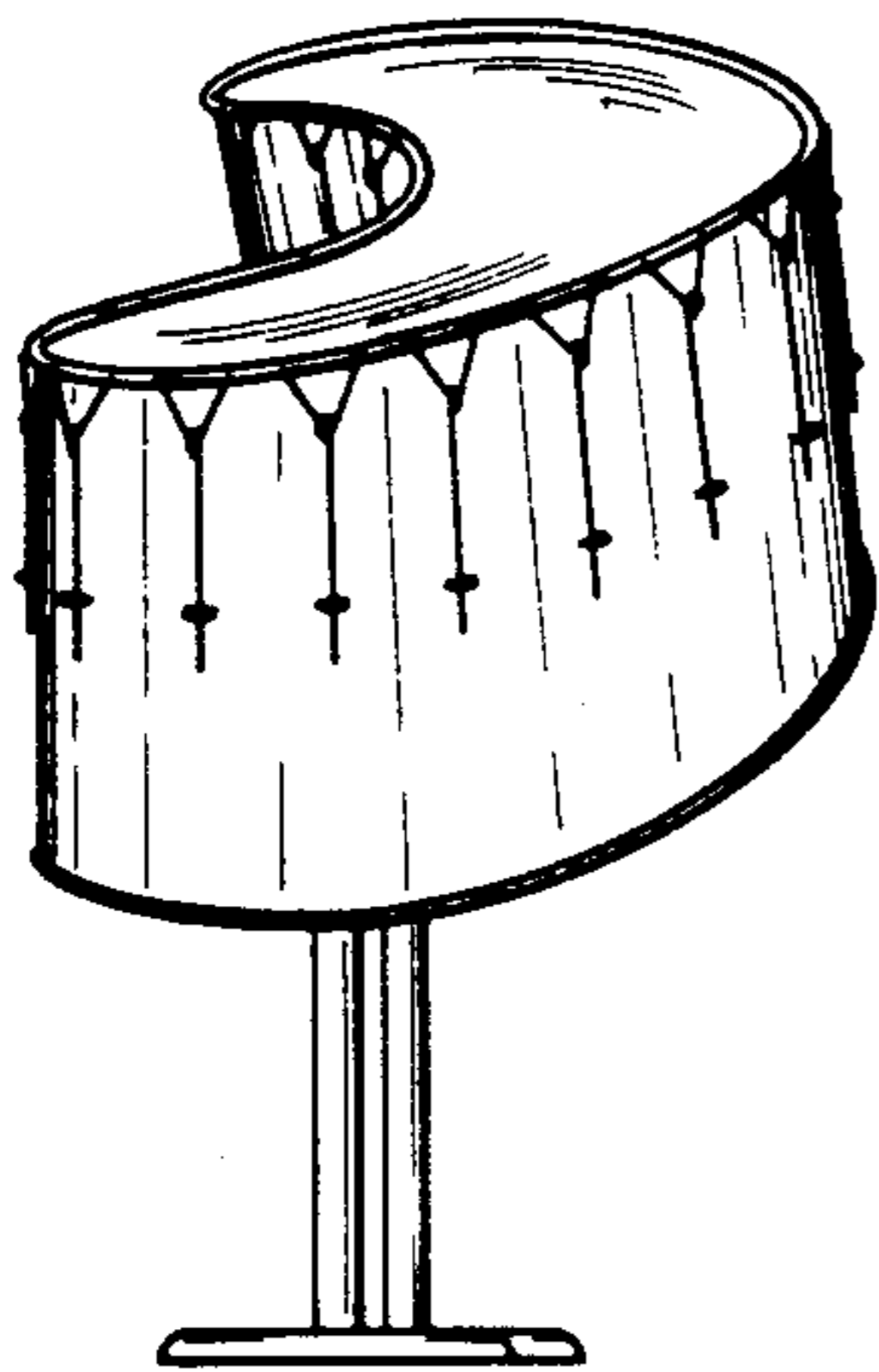


FIG. 5

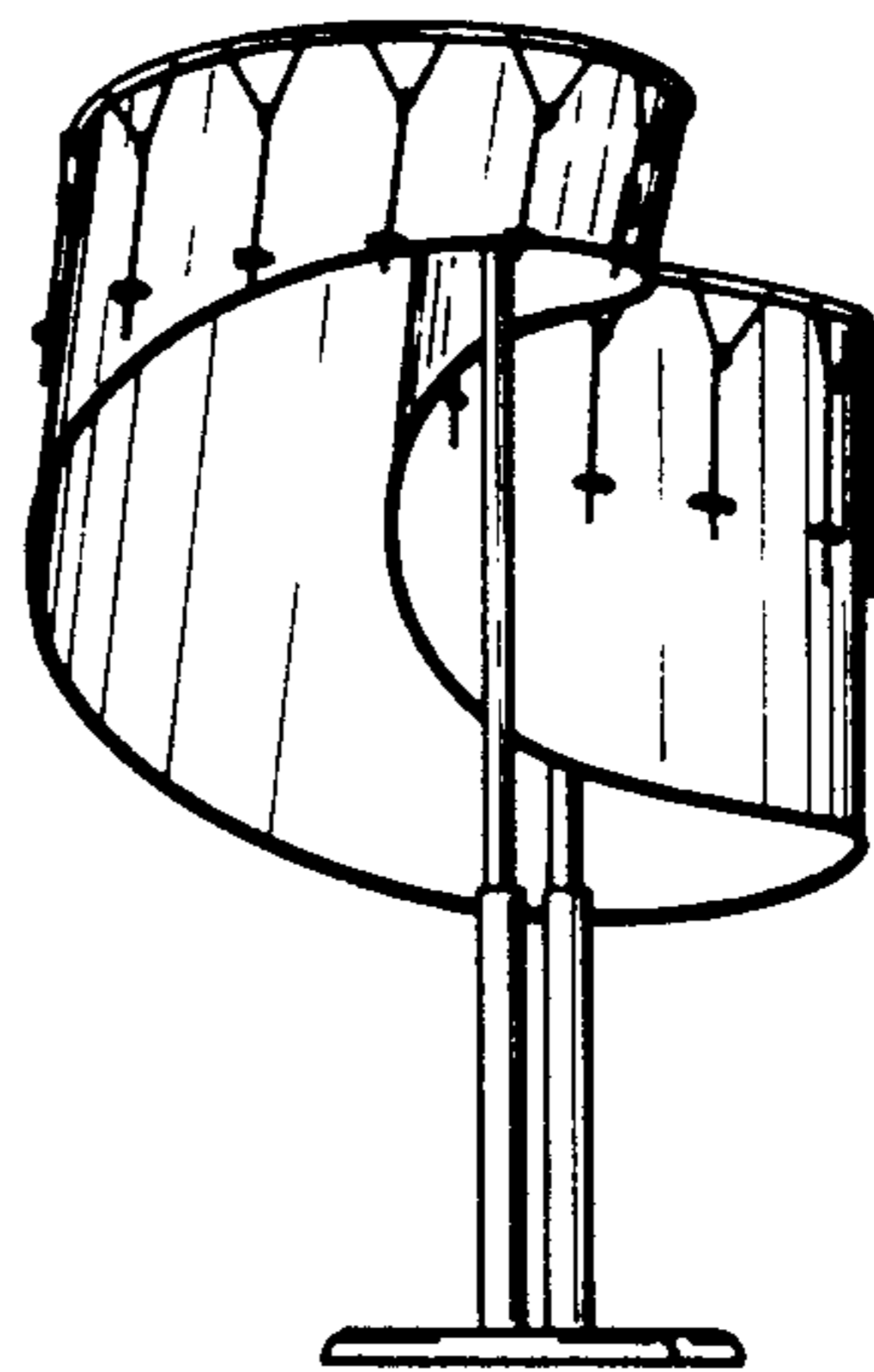


FIG. 6

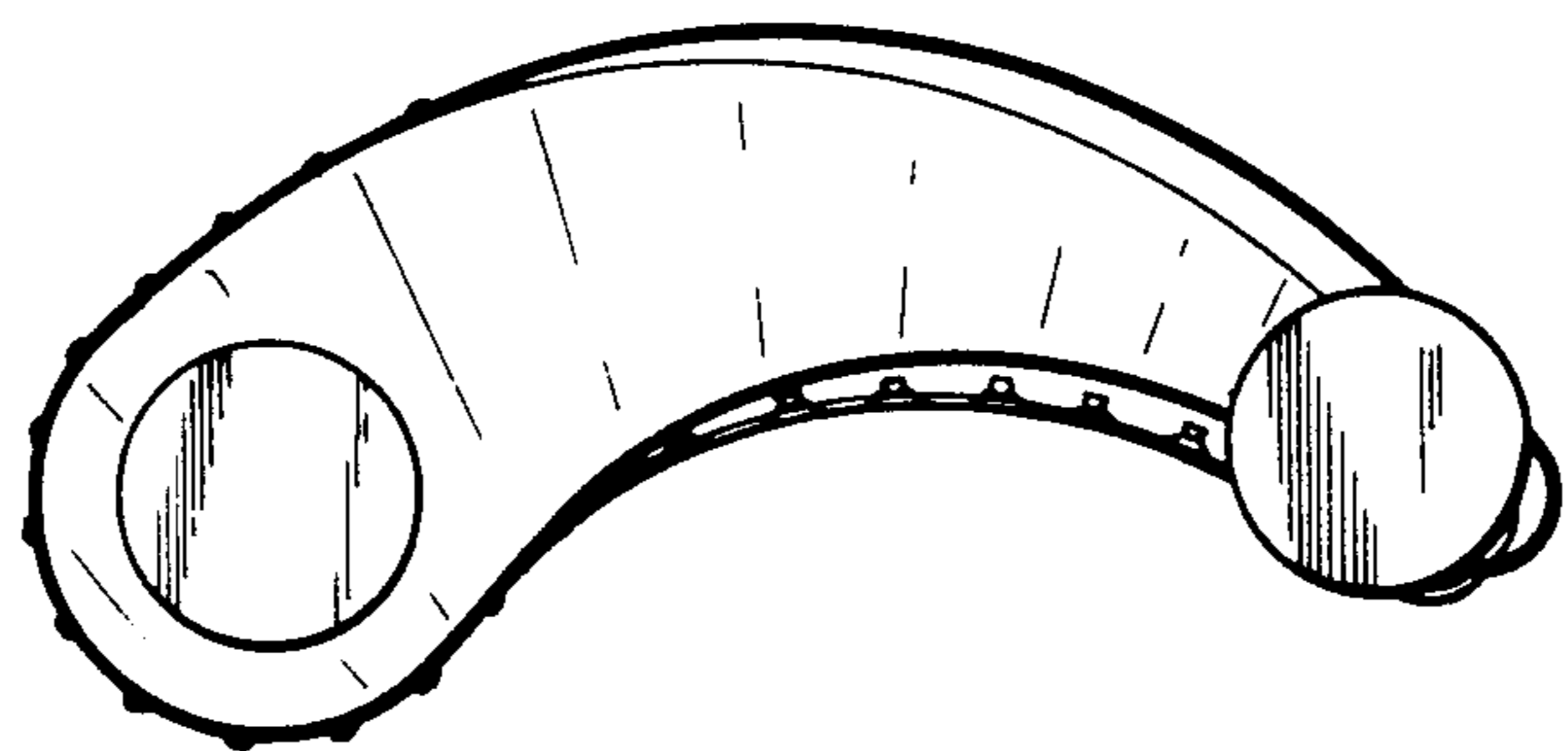


FIG. 7