

[54] **SIDE SHIELD FOR MOTORCYCLE**

[76] **Inventor:** Sherman E. Taylor, 3307 N. MacArthur, Oklahoma City, Okla. 73122

[**] **Term:** 14 Years

[21] **Appl. No.:** 905,106

[22] **Filed:** May 11, 1978

[51] **Int. Cl.** D12-11

[52] **U.S. Cl.** D12/114

[58] **Field of Search** D12/114; 280/289 G; 180/219

[56] **References Cited**

U.S. PATENT DOCUMENTS

3,756,623 9/1973 Whittler 280/289 G

OTHER PUBLICATIONS

Bates Motorcycle Accessories Catalog, p. 19, Side-by-Side Bottom Mount Bracket, 8181, center of page.

Primary Examiner—James M. Gandy
Attorney, Agent, or Firm—Bill D. McCarthy

[57] **CLAIM**

The ornamental design for a side shield for motorcycle, as shown and described.

DESCRIPTION

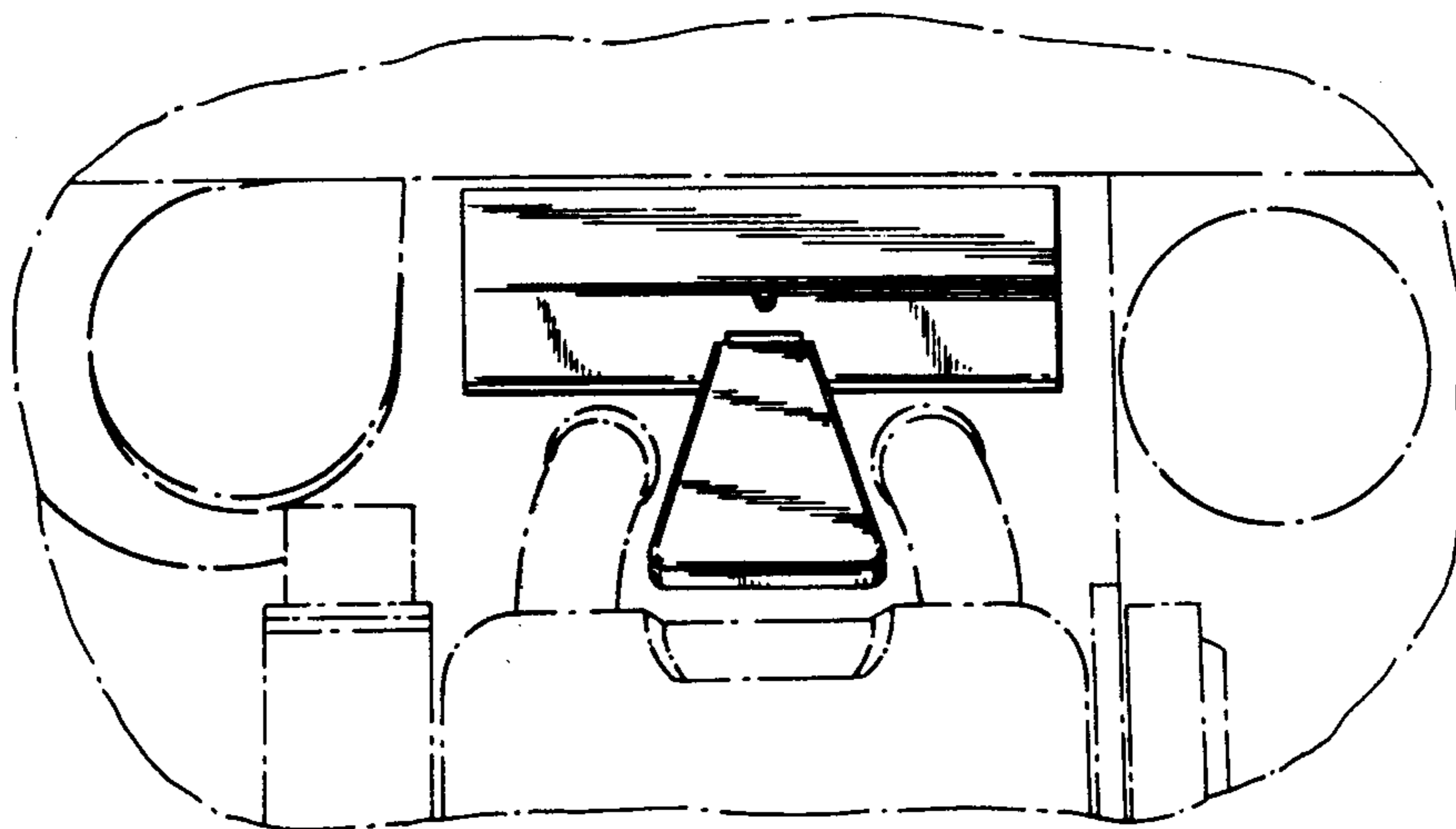
FIG. 1 is a front elevational view of a side shield for motorcycle showing my new design, it being understood that the broken lines are for illustrative purposes only;

FIG. 2 is an end elevational view thereof;

FIG. 3 is a rear elevational view thereof;

FIG. 4 is a top plan view thereof; and

FIG. 5 is a bottom plan view thereof.



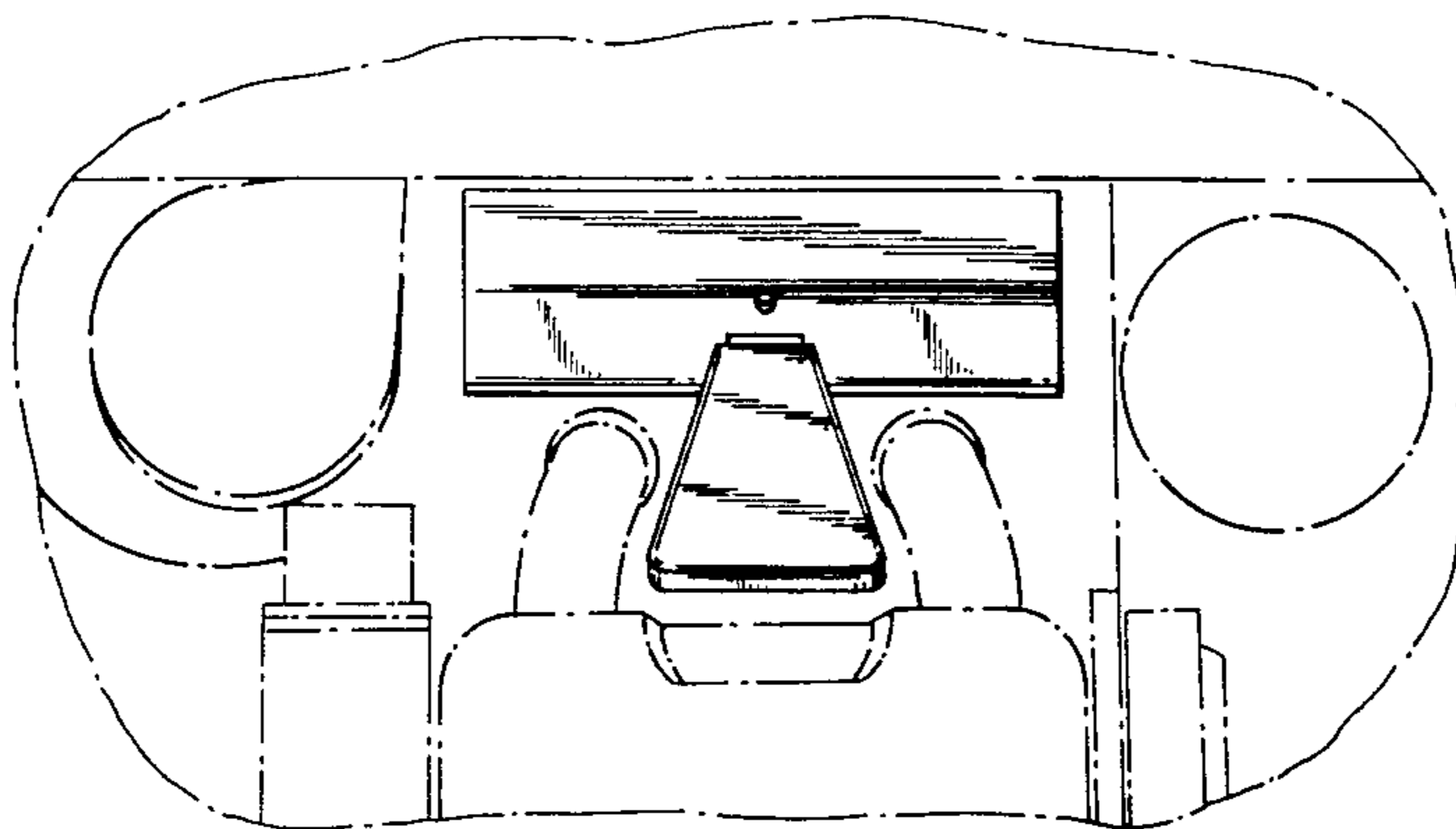


FIG. 1

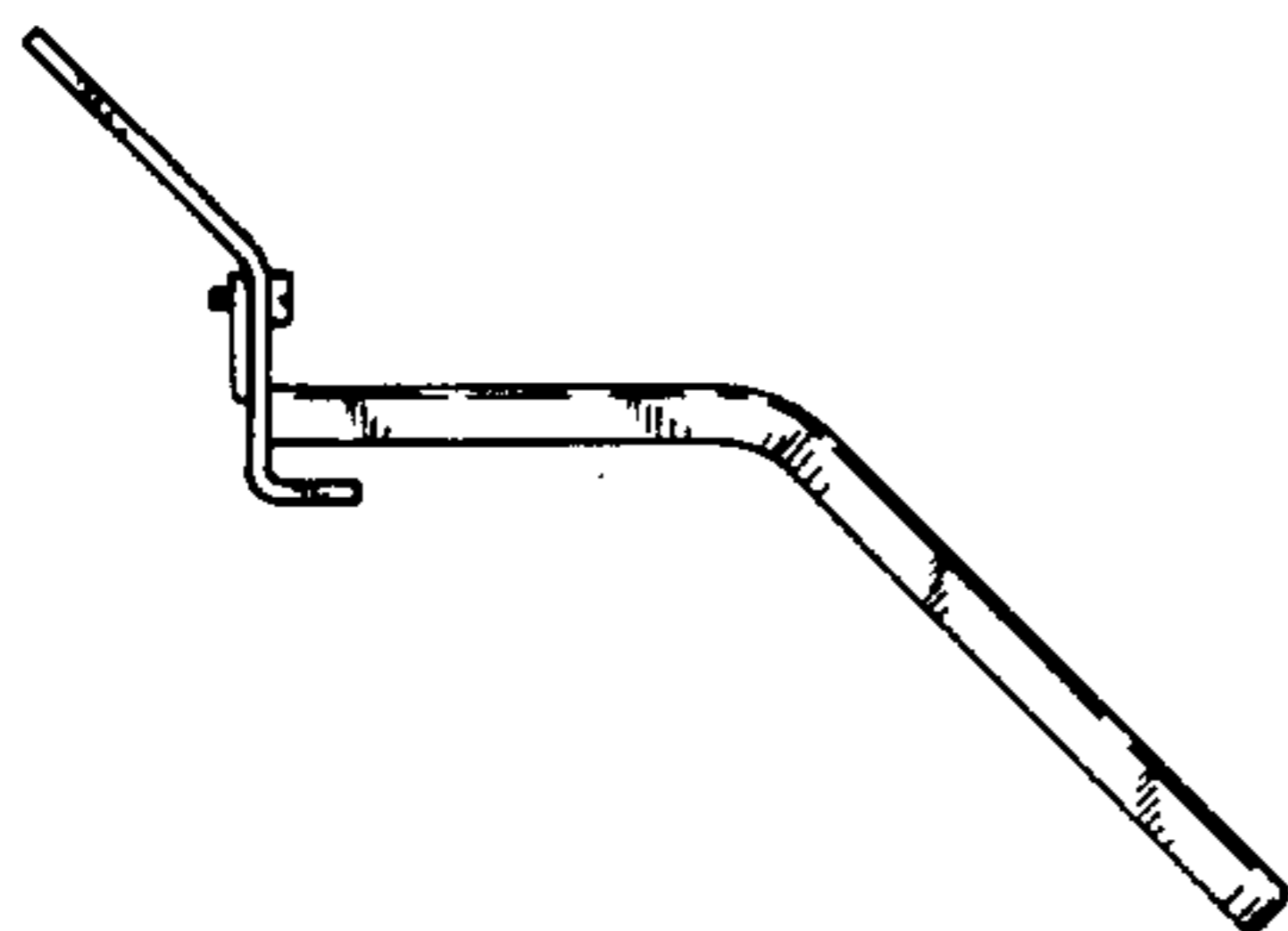


FIG. 2

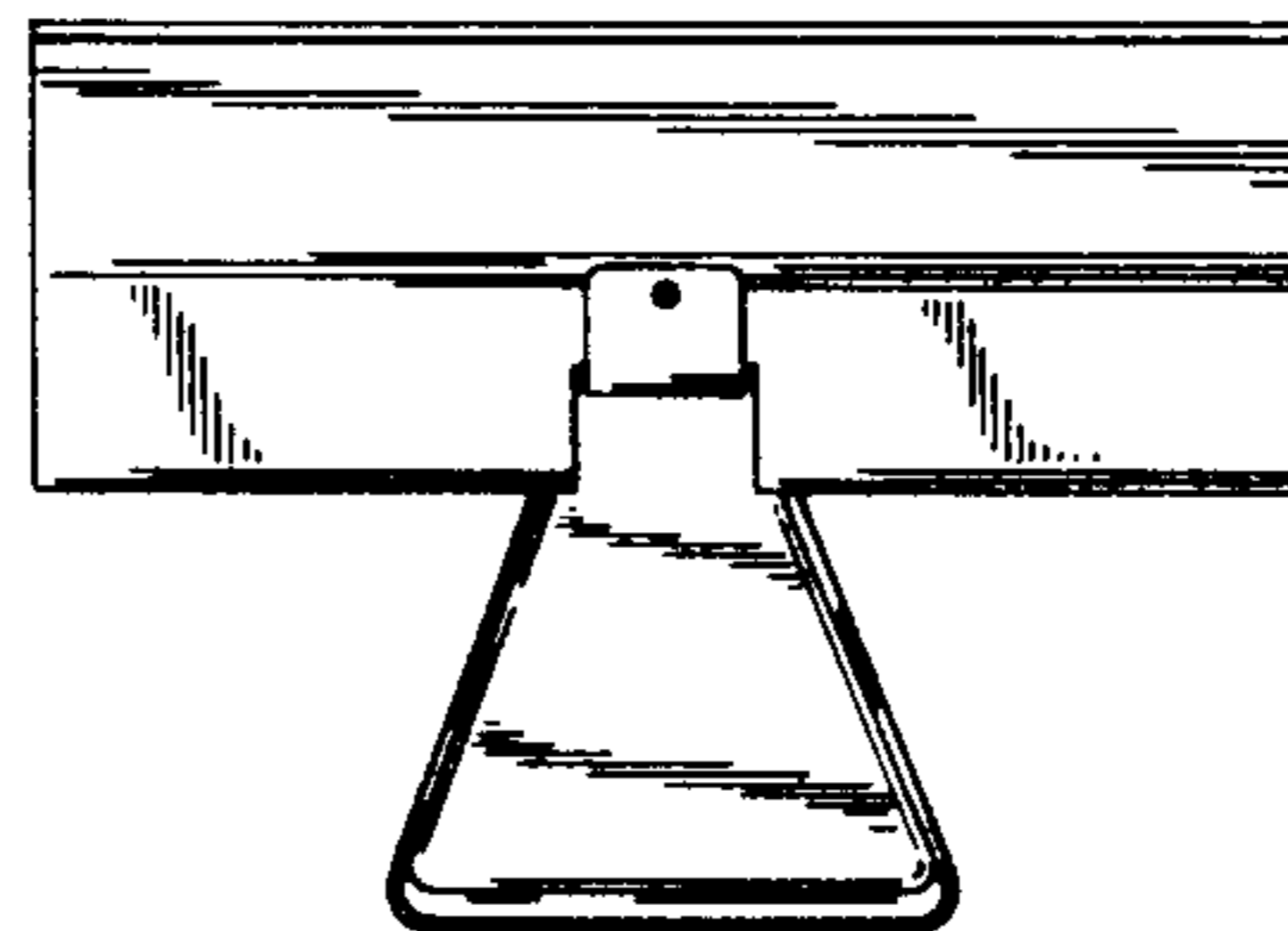


FIG. 3

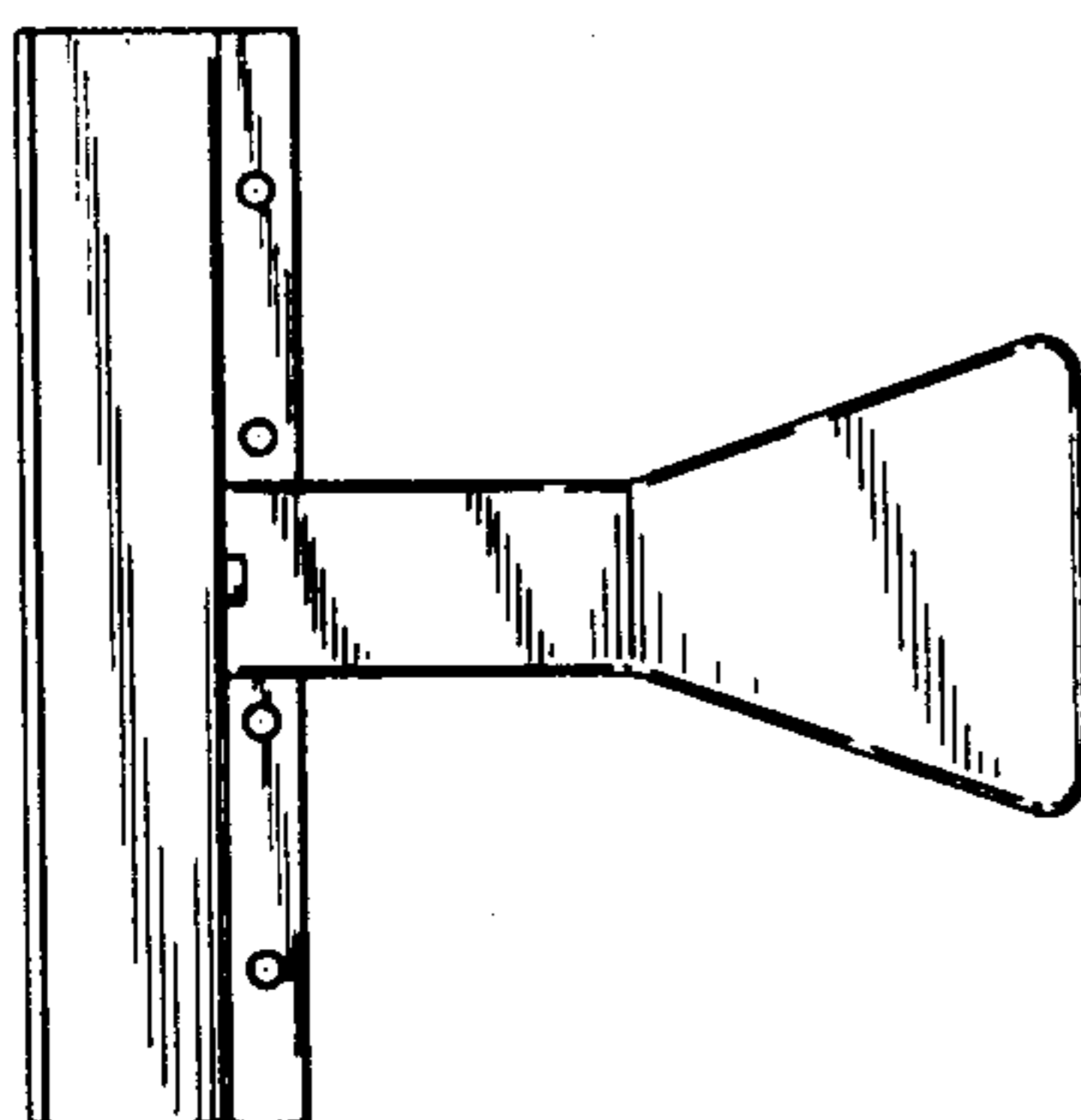


FIG. 4

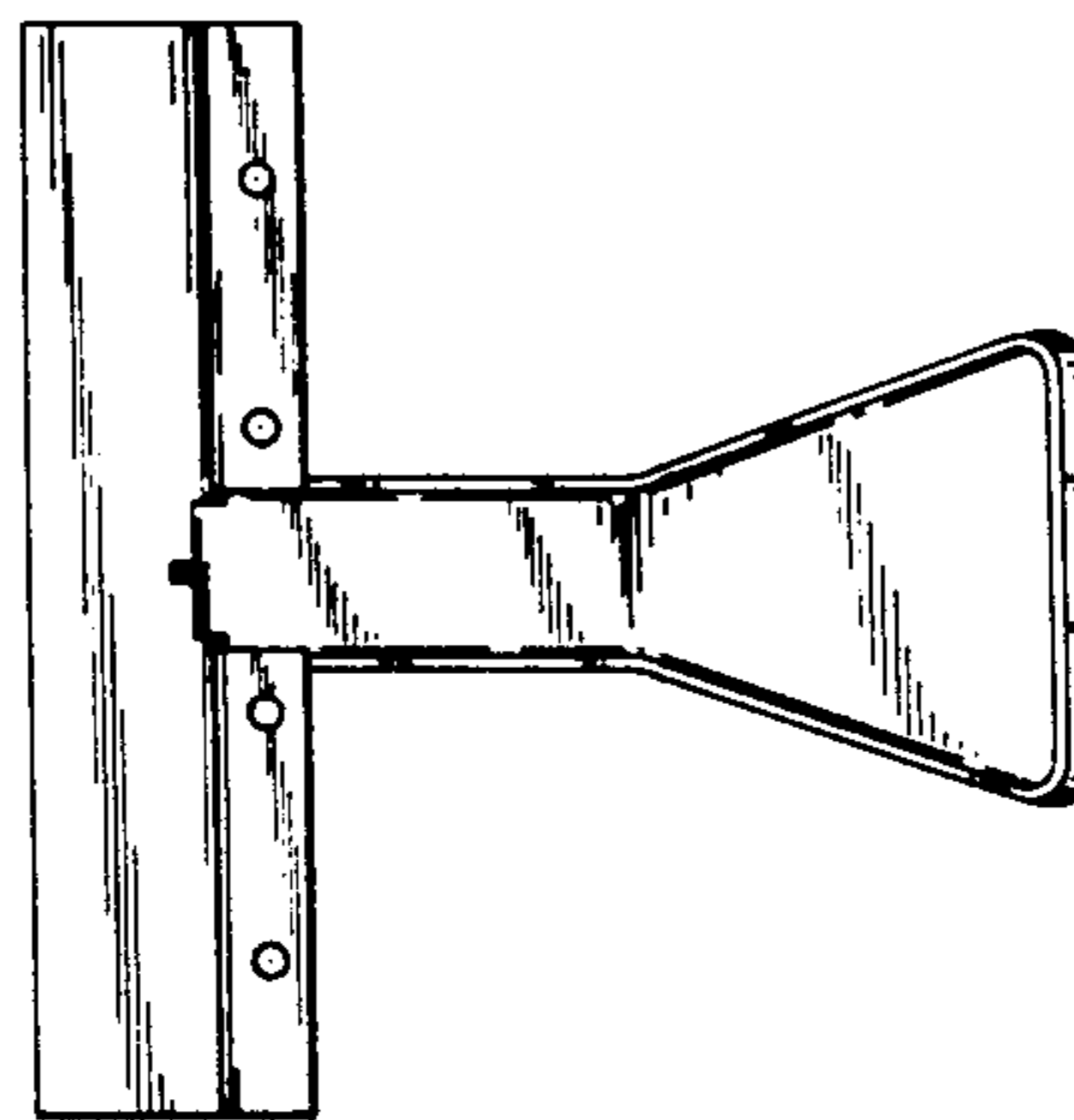


FIG. 5