

[54] SWIVEL MOUNT FOR PUNCHING BAGS

[56]

References Cited

U.S. PATENT DOCUMENTS

[76] Inventor: Ronald H. Platek, 707 Benefit St., Pawtucket, R.I. 02861

317,421 5/1885 Simons 403/149 X
1,444,542 2/1923 Grossheim 248/317

FOREIGN PATENT DOCUMENTS

[**] Term: 14 Years

182058 6/1922 United Kingdom 272/78

[21] Appl. No.: 958,426

Primary Examiner—Peter Feldman
Attorney, Agent, or Firm—E. A. Salter

[22] Filed: Nov. 6, 1978

[57] CLAIM

The ornamental design for a swivel mount for punching bags, as shown and described.

DESCRIPTION

[51] Int. Cl. D8-08

FIG. 1 is a front elevational view of a swivel mount for punching bags showing my new design, the opposite side being a mirror image of the side shown;

[52] U.S. Cl. D8/373; 272/78; 248/317; 403/78

FIG. 2 is a right side elevational view thereof;

[58] Field of Search D8/373, 354; 272/76,

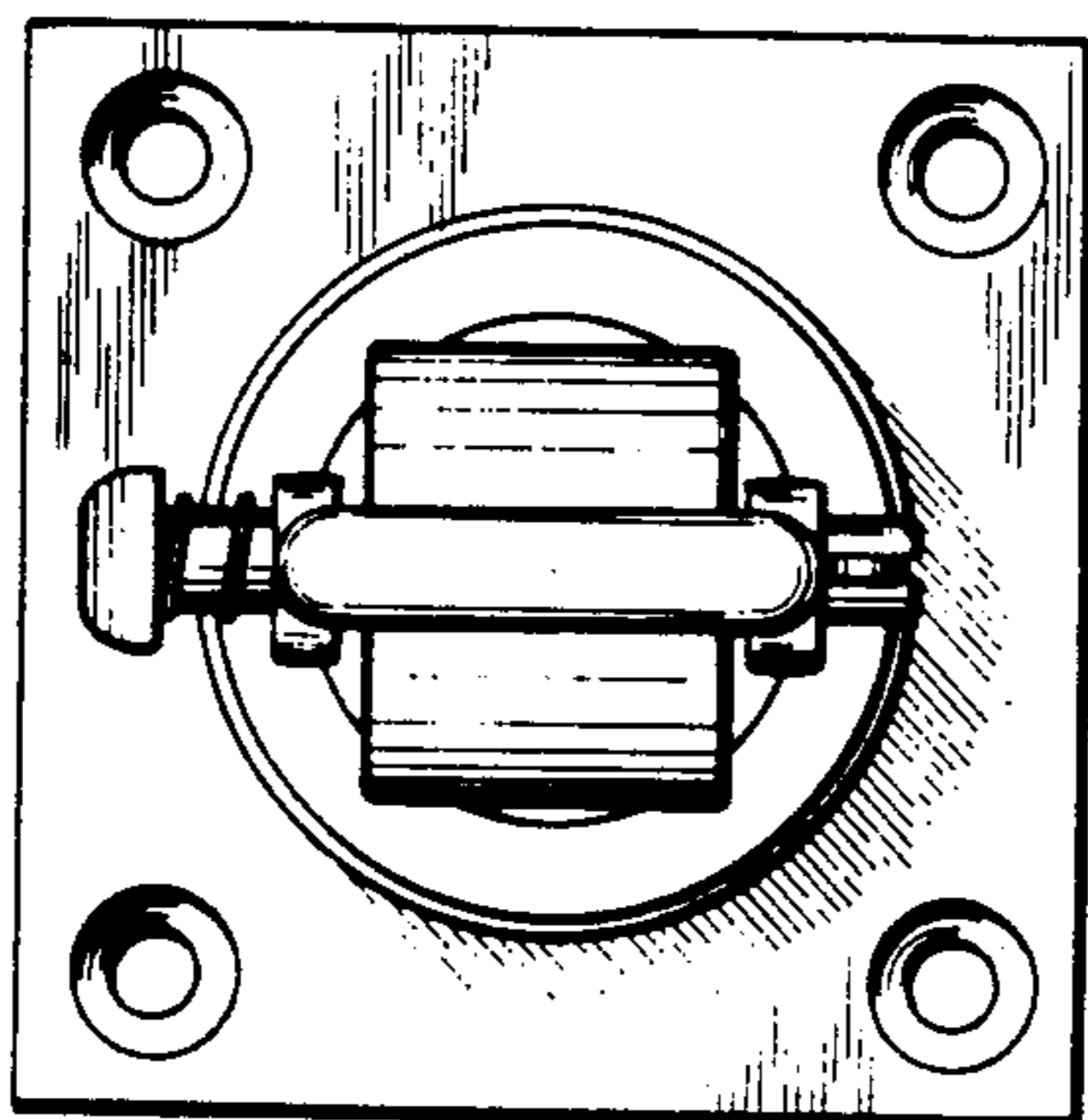
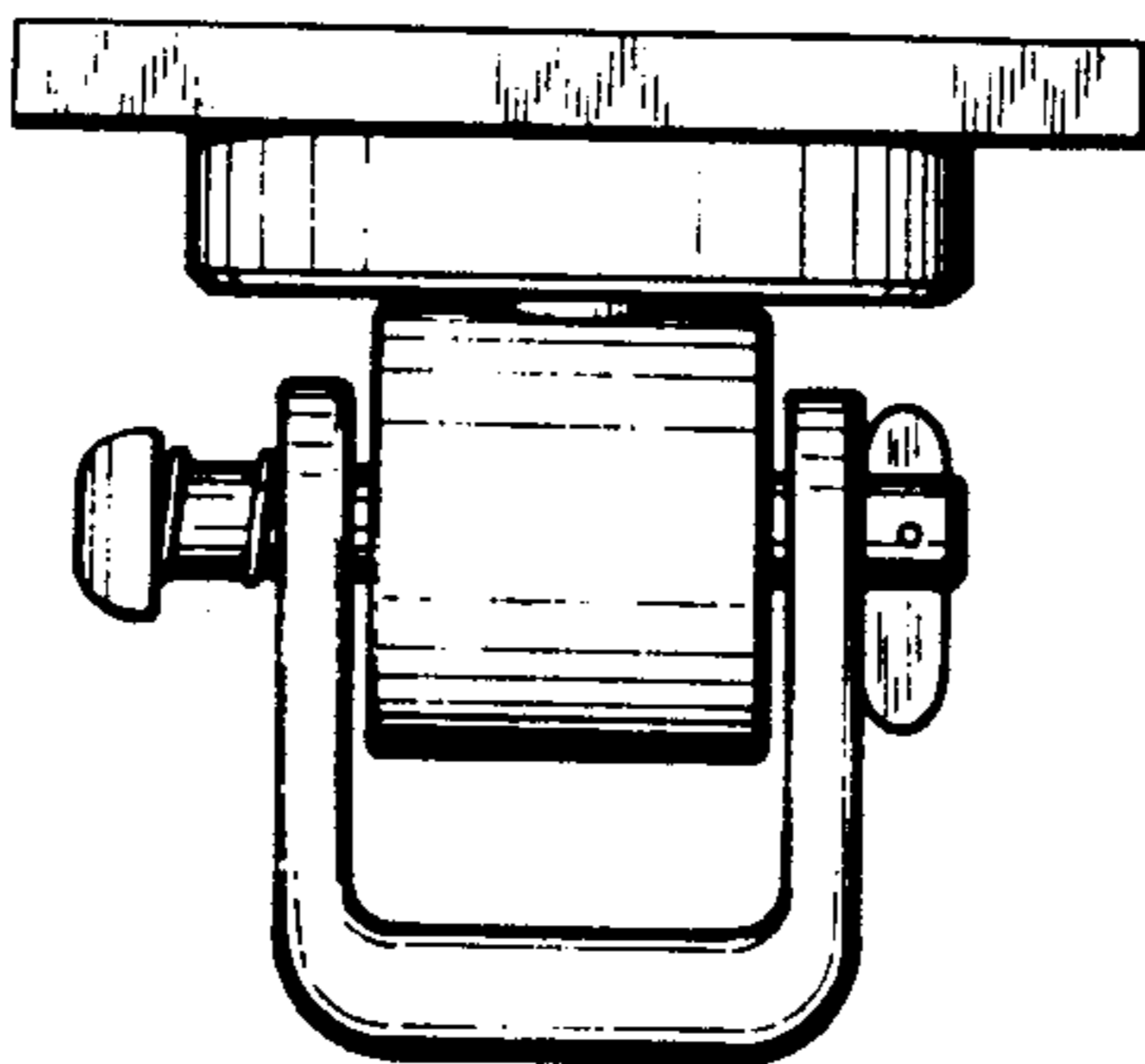
FIG. 3 is a bottom plan view thereof;

272/77, 78; 248/317, 324, 328, 288 A, 288 B; 403/78, 71, 164, 165, 154, 157, 302; 59/86, 95;

FIG. 4 is a left side elevational view thereof; and

85/3 R, 3 K, 3 S, 5 N

FIG. 5 is a top plan view thereof.



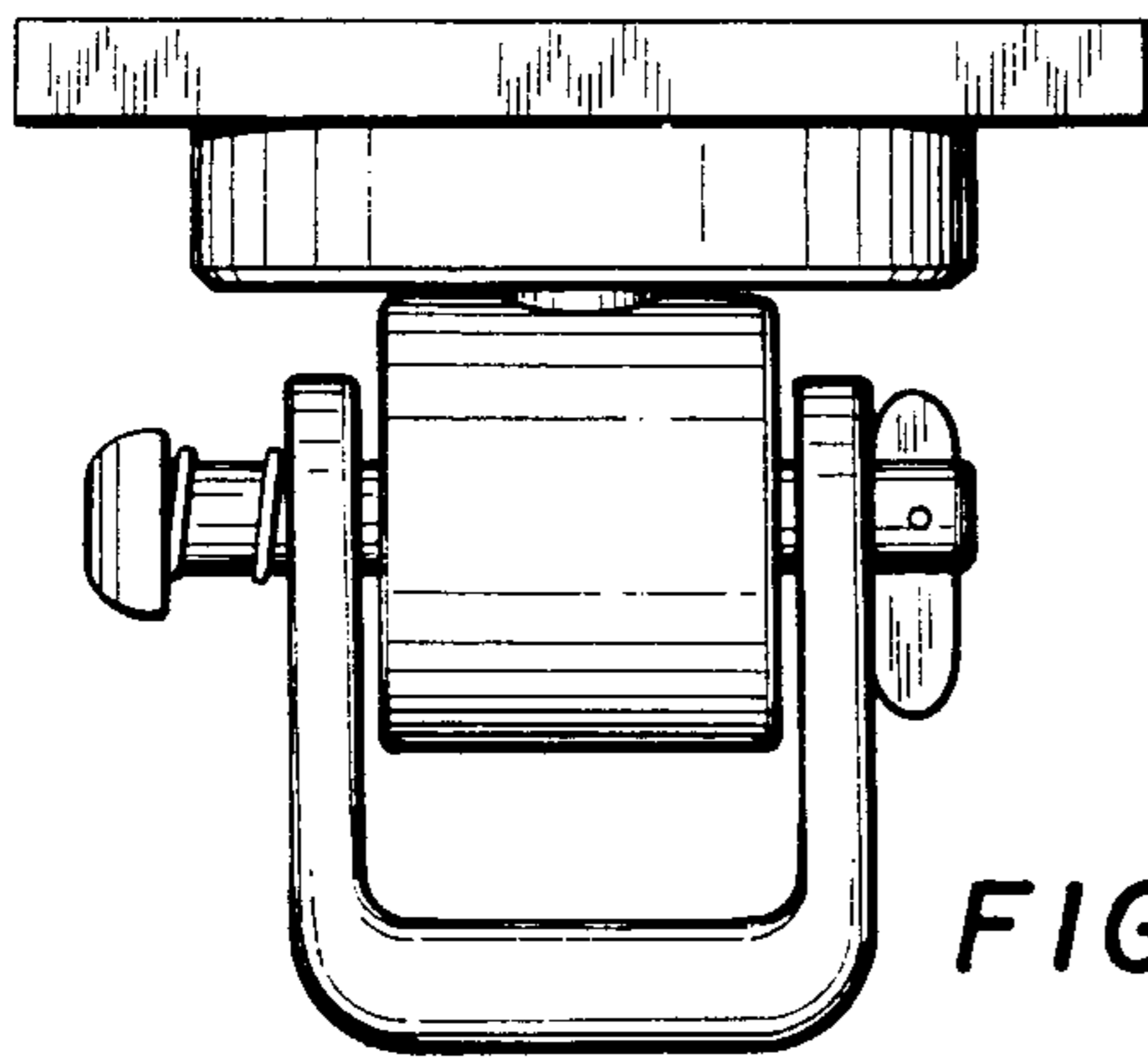


FIG. 1

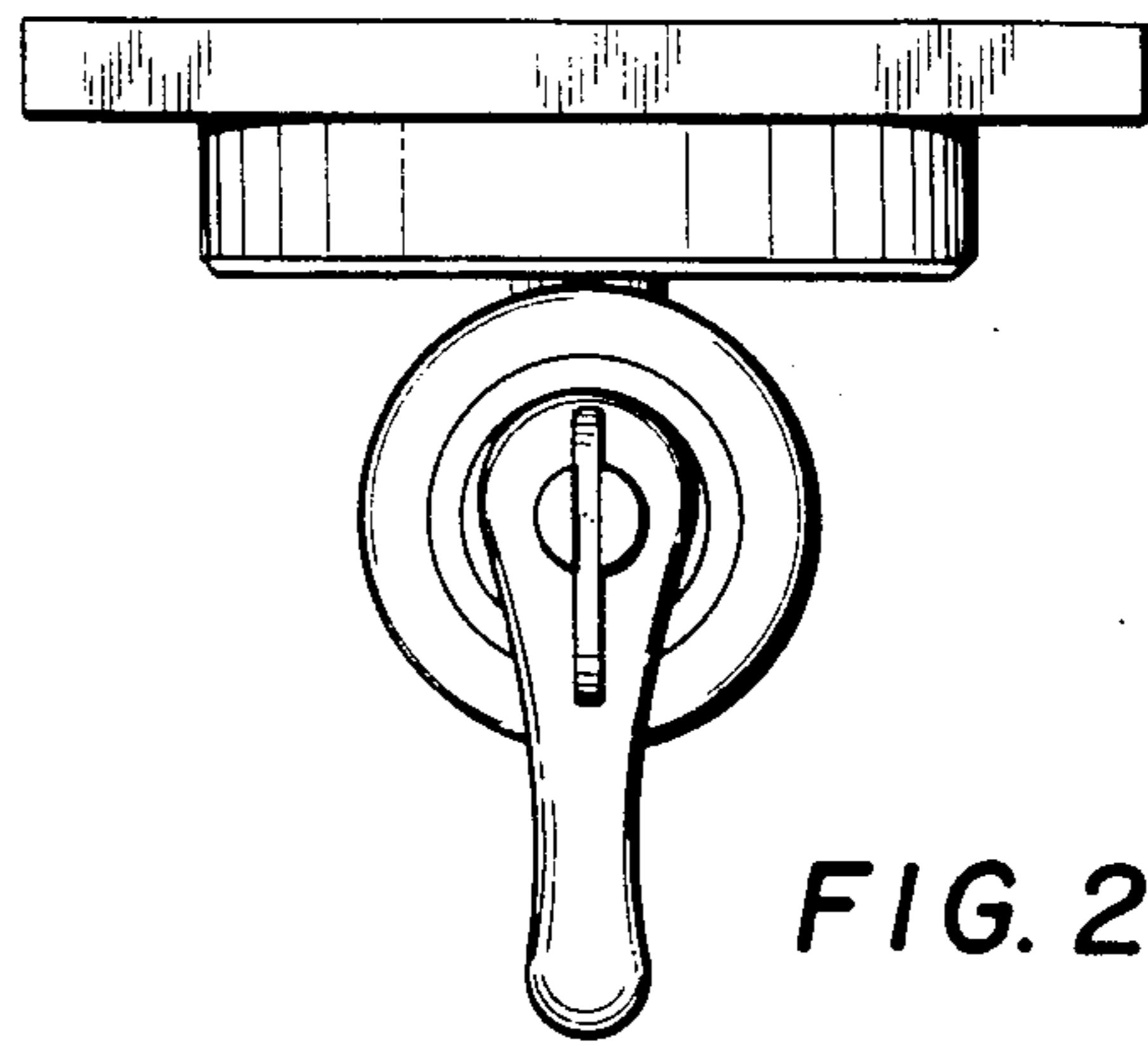


FIG. 2

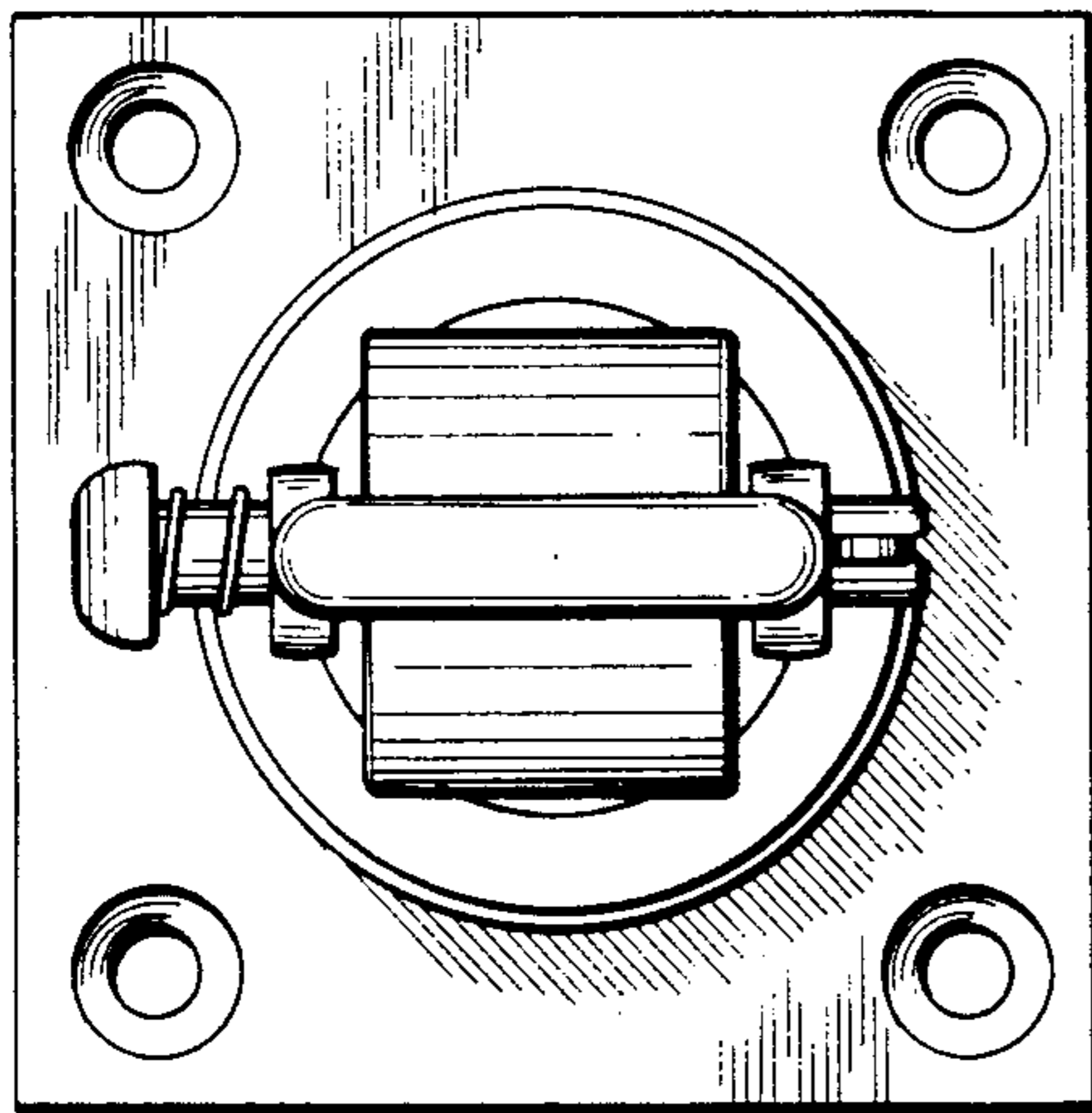


FIG. 3

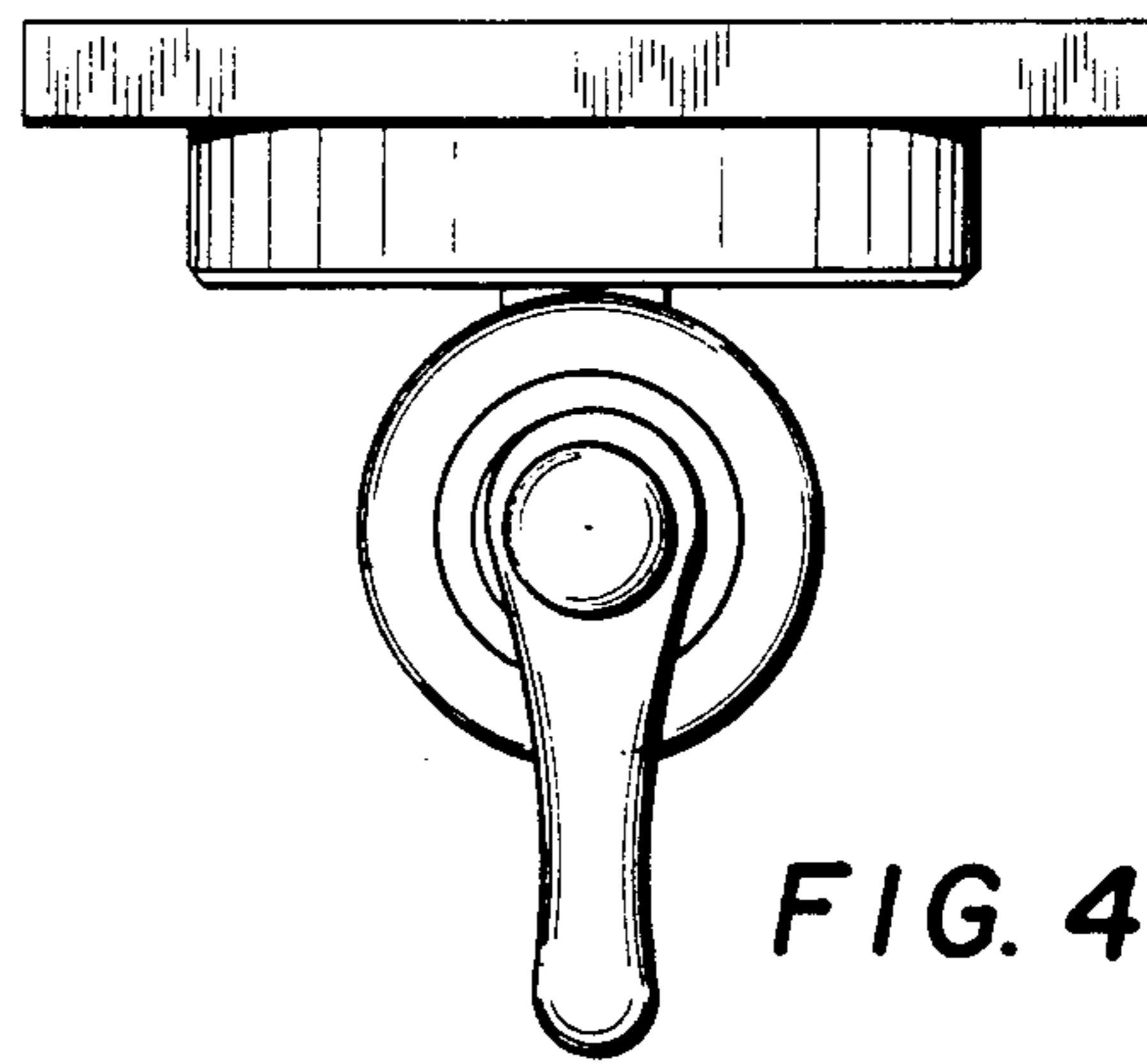


FIG. 4

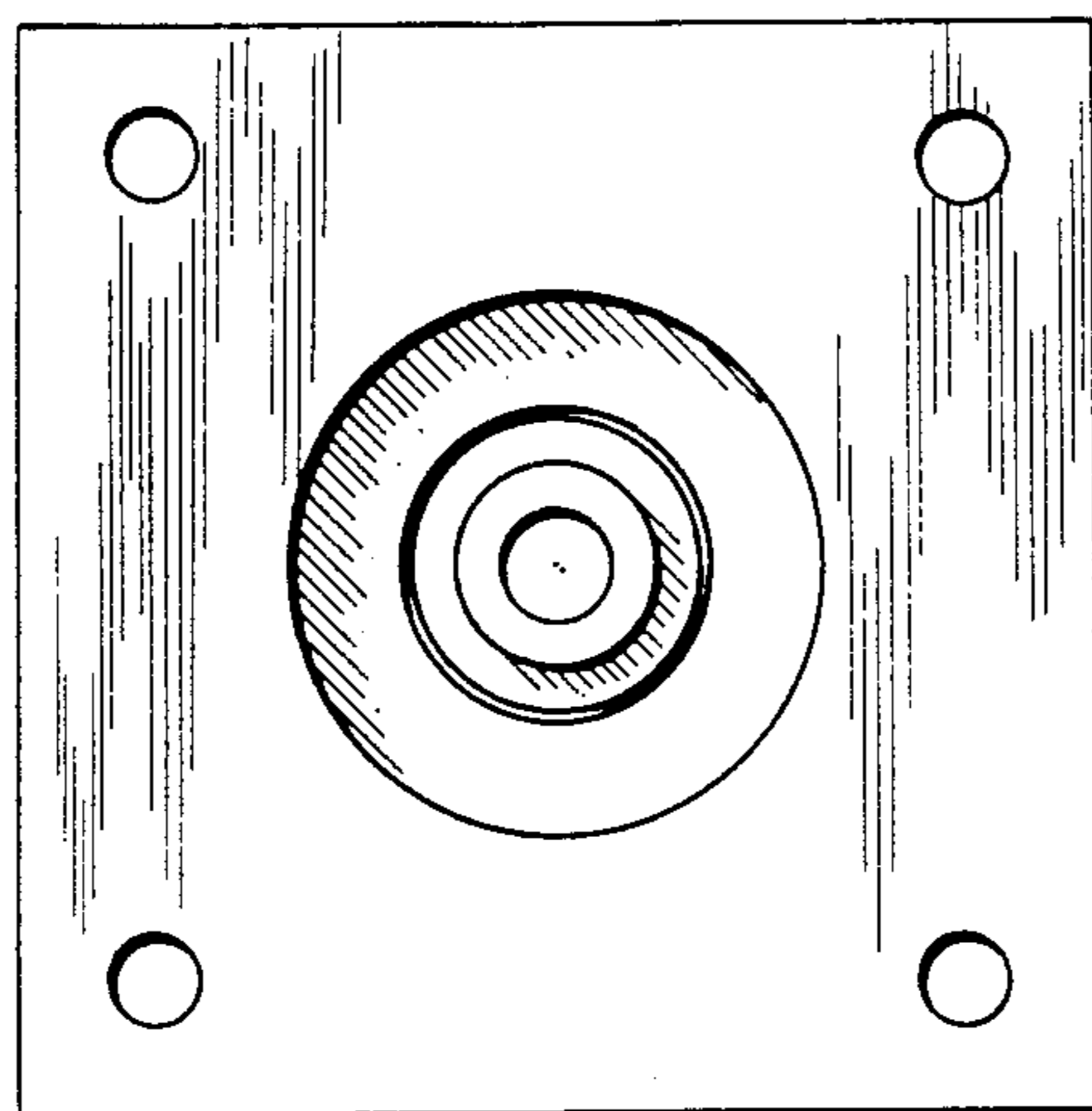


FIG. 5