

[54] COMBINED HANDLE STUD AND RING

[75] Inventor: Sol Koffler, Providence, R.I.

[73] Assignee: American Tourister, Inc., Warren, R.I.

[**] Term: 14 Years

[21] Appl. No.: 936,623

[22] Filed: Aug. 24, 1978

[51] Int. Cl. D8-06; D8-09

[52] U.S. Cl. D8/301; D8/306; D8/353

[58] Field of Search D8/300, 301, 305-307, D8/310-320, 350-353, 321, 400-403; 16/110 R, 111 R, 121, 127; 292/347; 116/148, DIG. 12

[56] References Cited

U.S. PATENT DOCUMENTS

D. 92,940	8/1934	Bradbury	D8/306
D. 176,019	11/1955	Hollowell	D8/306
D. 180,711	7/1957	Gehrie	D8/315
D. 186,587	11/1959	Amdal	D8/307
D. 202,877	11/1965	Morse et al.	D8/401

Primary Examiner—Barbara J. Bullock
Attorney, Agent, or Firm—Harry G. Shapiro

[57] CLAIM

The ornamental design for a combined handle stud and ring, as shown.

DESCRIPTION

FIG. 1 is a perspective view of a combined handle stud and ring embodying my new design;
FIG. 2 is a side elevational view of the combined handle stud and ring;
FIG. 3 is an end view as seen from the left of FIG. 2;
FIG. 4 is an end view as seen from the right of FIG. 2; and
FIG. 5 is a bottom view.

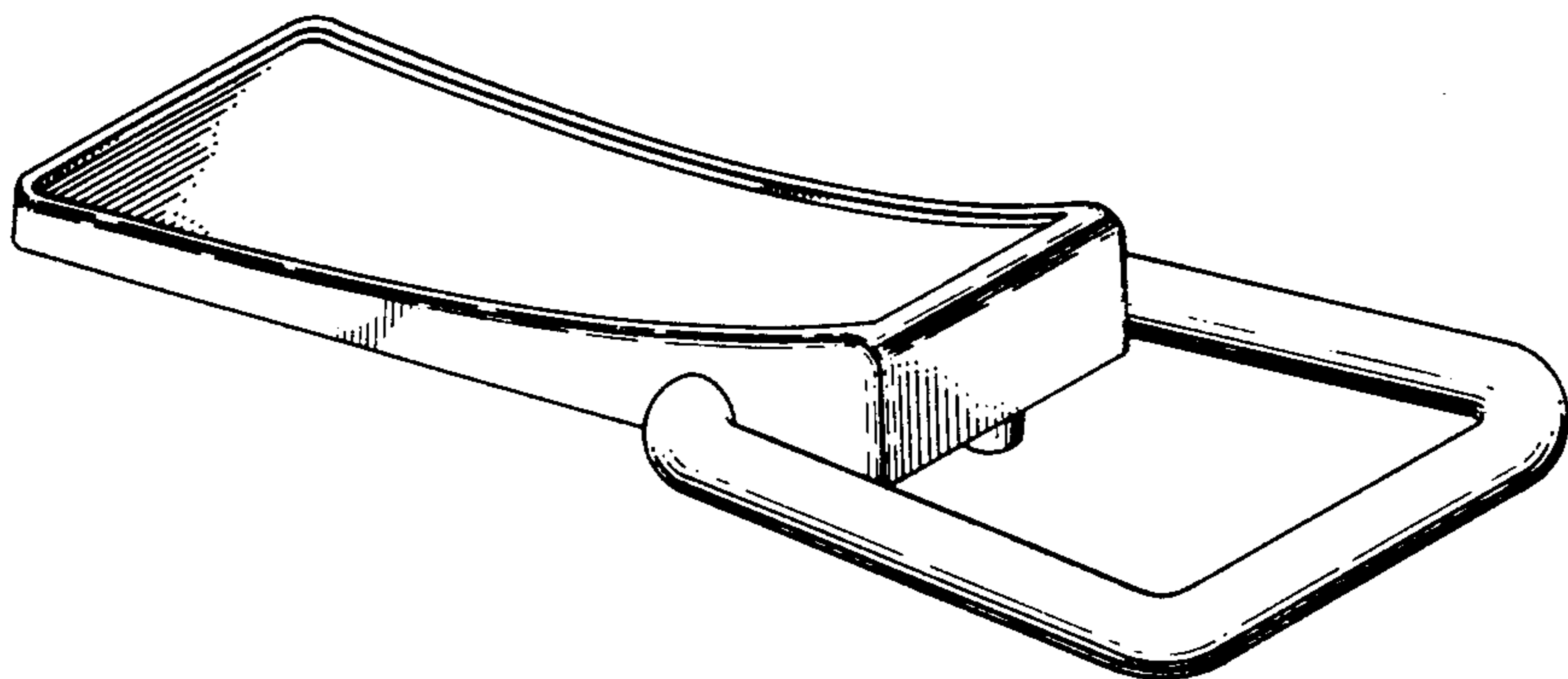


FIG. 1.

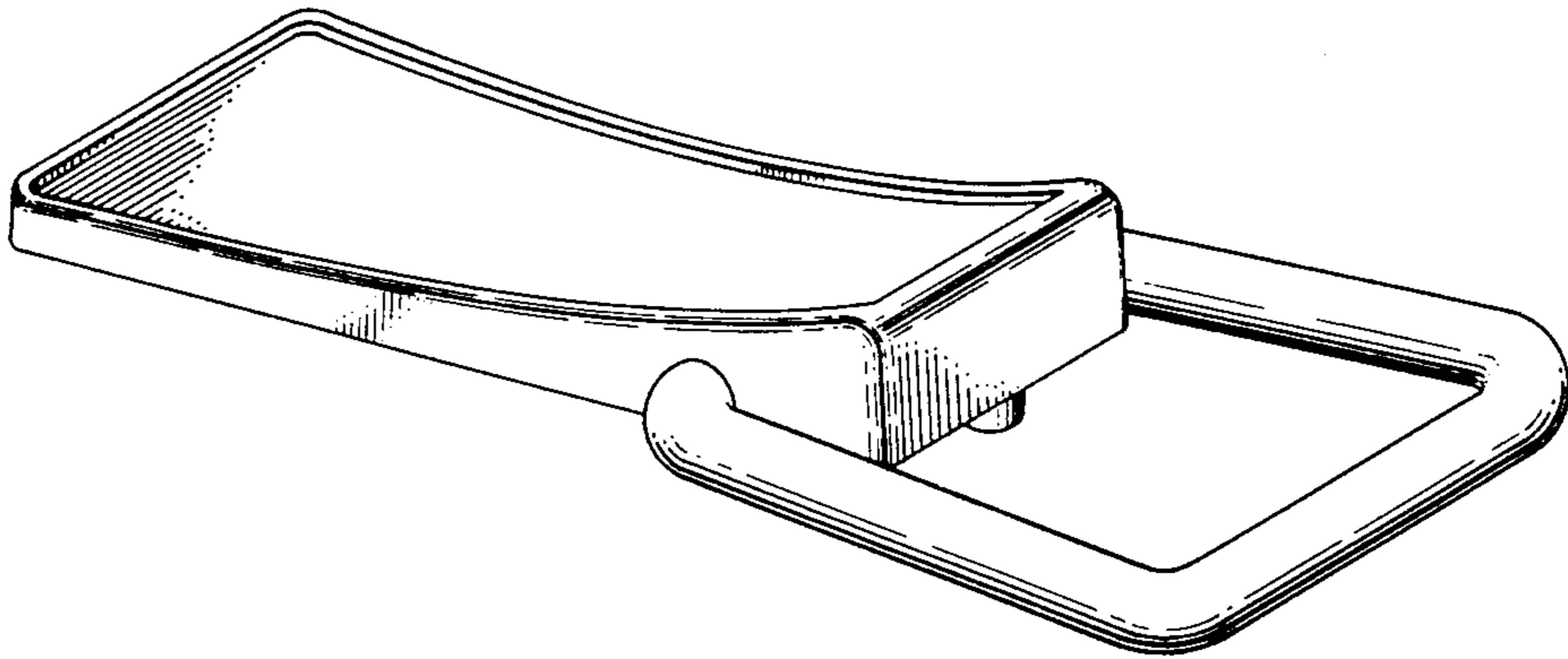


FIG. 2.



FIG. 3.

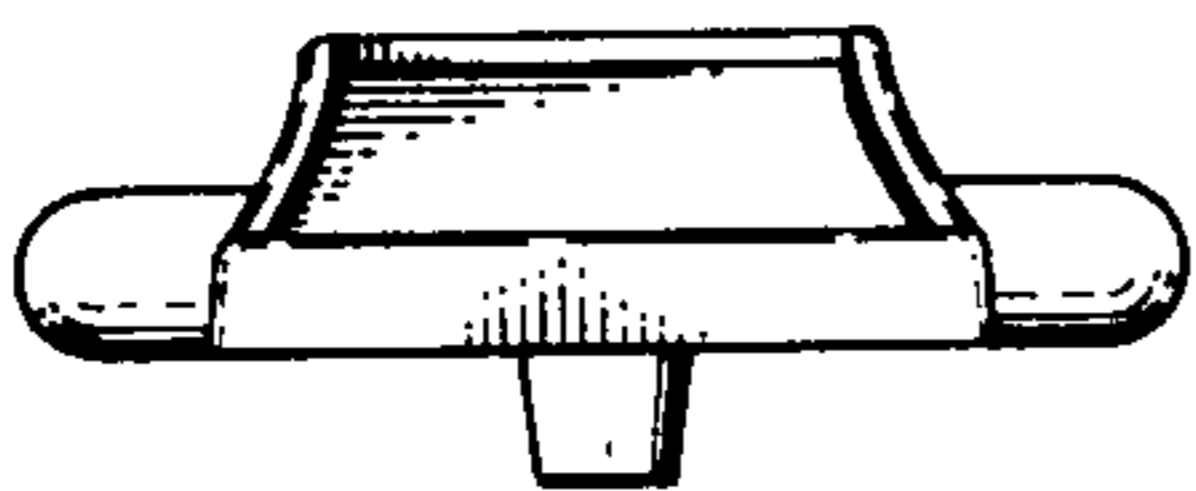


FIG. 4.

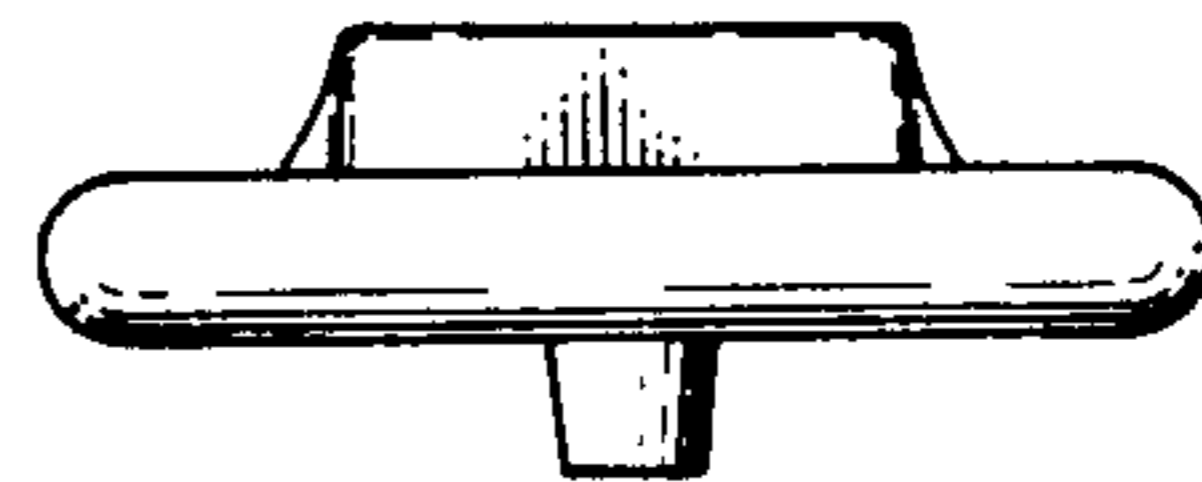


FIG. 5.

