

[54] SCRAPER

[75] Inventor: Louis J. Christen, Jr., St. Louis, Mo.

[73] Assignee: Christen Incorporated, St. Louis, Mo.

[\*\*] Term: 14 Years

[21] Appl. No.: 885,089

[22] Filed: Mar. 9, 1978

[51] Int. Cl. .... D7-05

[52] U.S. Cl. .... D7/184

[58] Field of Search ..... D7/181, 184; 15/236 R; 30/169, 171

[56] References Cited

U.S. PATENT DOCUMENTS

D. 232,344 8/1974 Momcilovich ..... D7/184

875,435	12/1907	Johnston .....	30/169
1,377,484	5/1921	Huneryager .....	15/236 R
1,967,593	7/1934	Saladow .....	15/159 R
2,280,778	4/1942	Andersen .....	15/236 R X
2,747,911	5/1956	Kuever .....	15/236 R X

Primary Examiner—Catherine E. Kemper  
Attorney, Agent, or Firm—Ralph W. Kalish

[57] CLAIM

The ornamental design for a scraper, as shown.

DESCRIPTION

FIG. 1 is a perspective view of a scraper showing my new design.

FIG. 2 is a side elevational view thereof.

FIG. 3 is a bottom plan view thereof.

FIG. 4 is a rear elevational view thereof.

FIG. 5 is a front end view thereof.

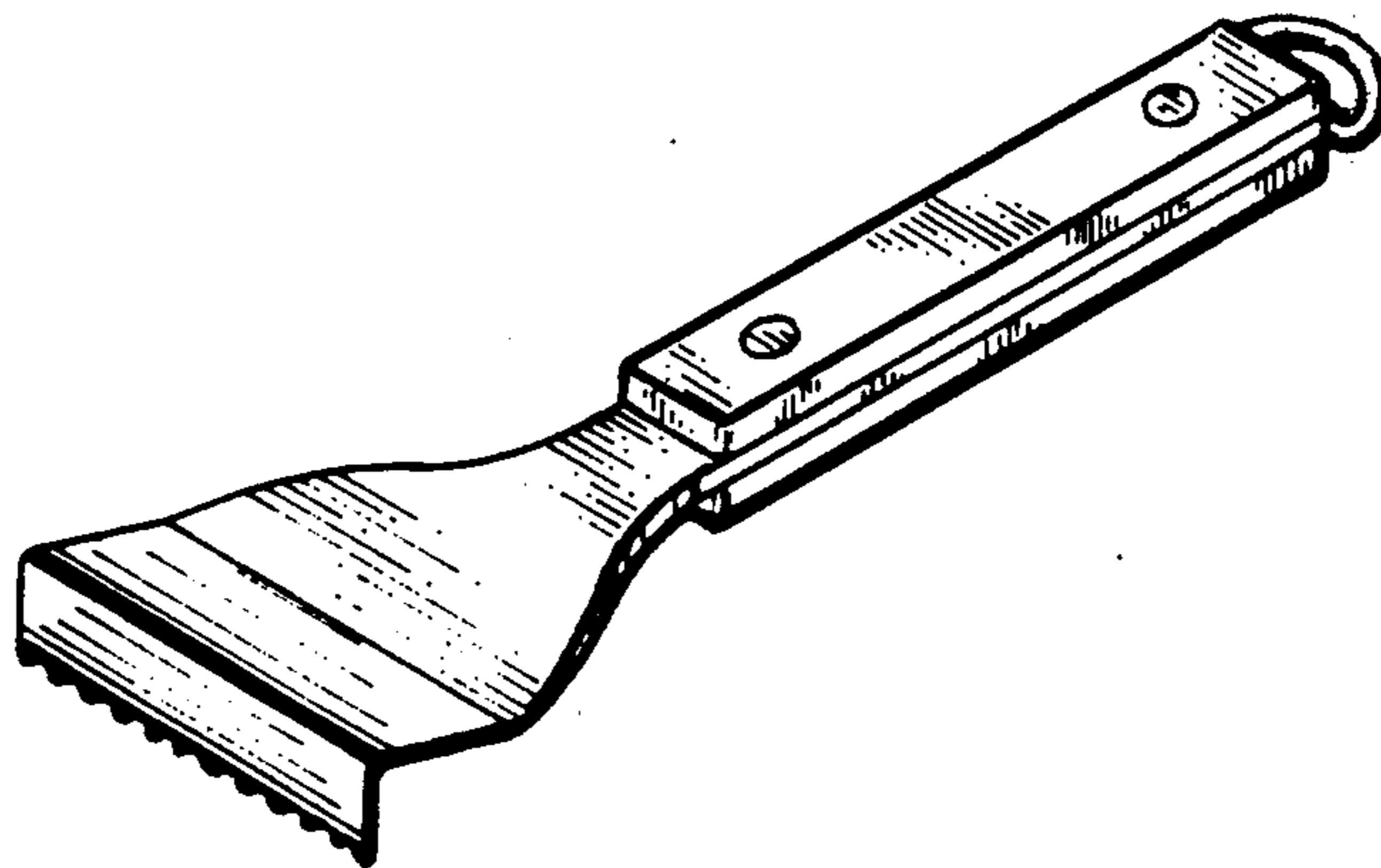


FIG. 1

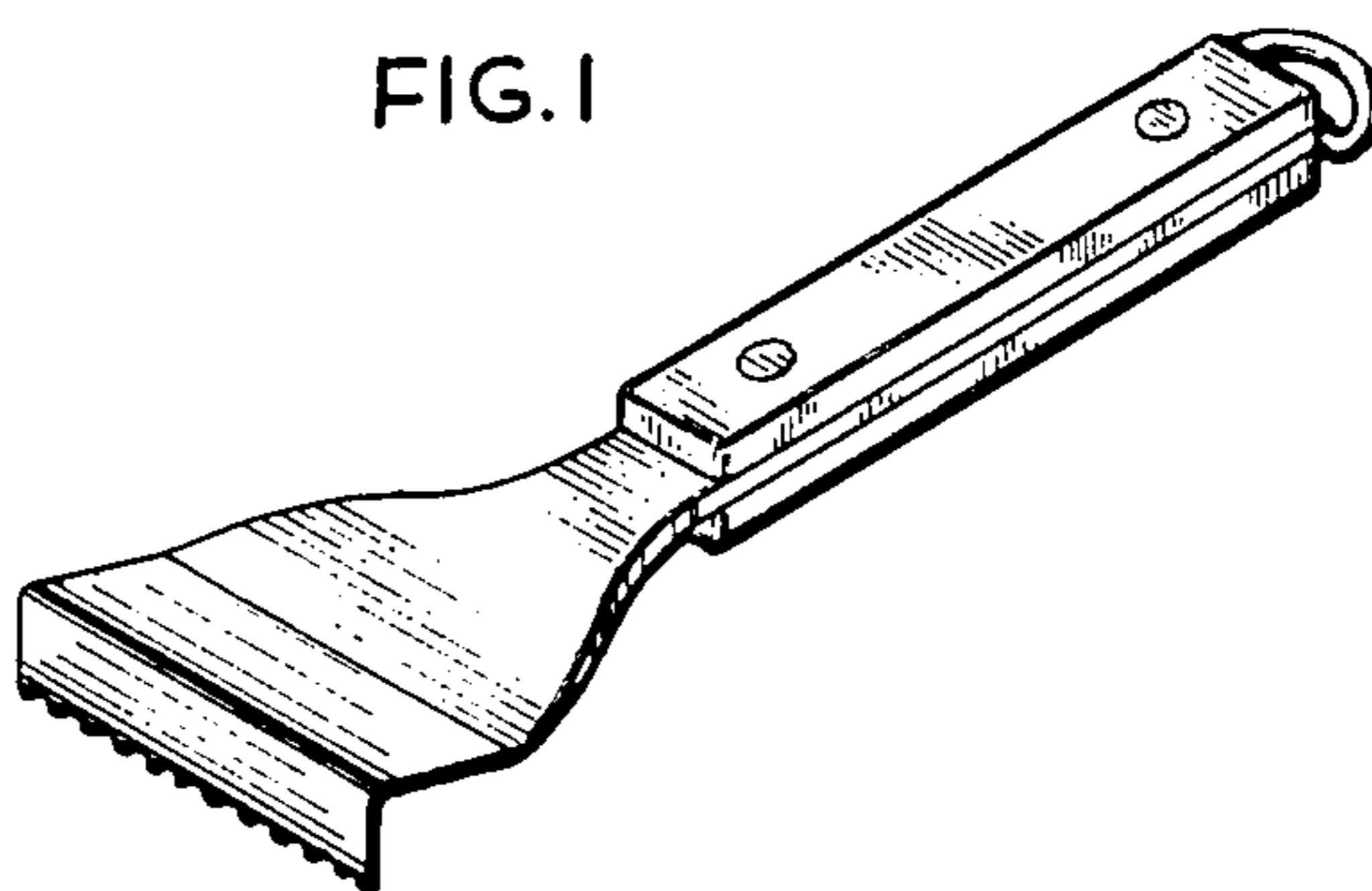


FIG. 2

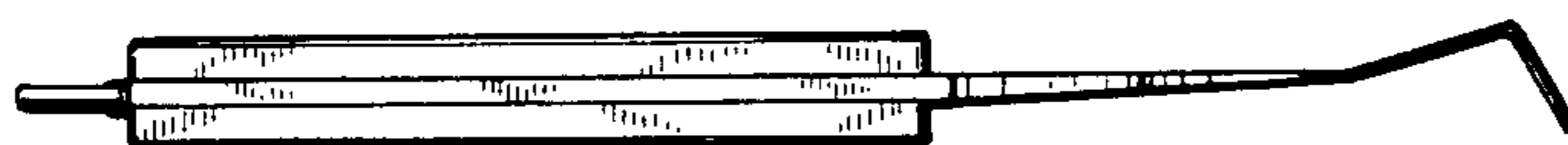


FIG. 3

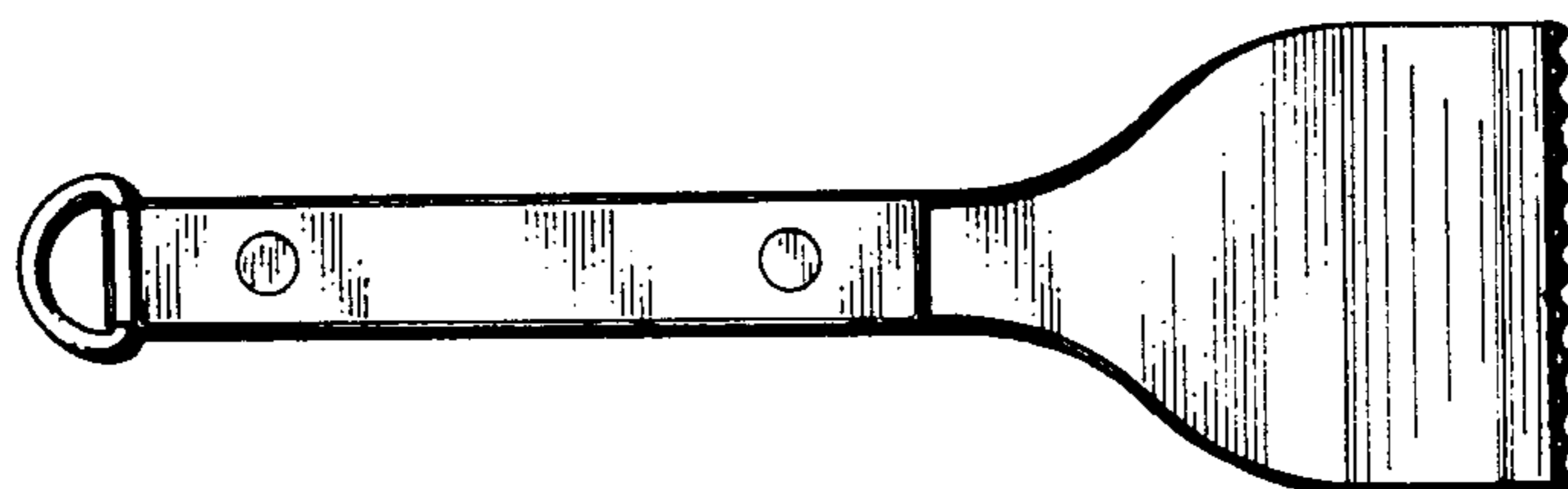


FIG. 4

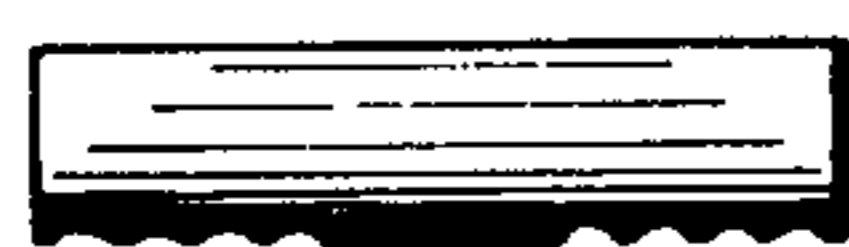


FIG. 5

