

[54] **FOOD PROCESSOR**

[75] **Inventors:** Noboru Fukumoto; Shyusuke Inoue, both of Toyonaka, Japan

[73] **Assignee:** Matsushita Electric Industrial Co., Ltd., Japan

[**] **Term:** 14 Years

[21] **Appl. No.:** 894,197

[22] **Filed:** Apr. 4, 1978

[51] **Int. Cl.** D7-04

[52] **U.S. Cl.** D7/153; D7/154; D7/155; D7/159; D15/98

[58] **Field of Search** D7/153, 154, 155, 156, D7/157, 158, 159; 241/37.5, 36, 92, 199.12, 282.1, 282.2; D15/98, 99, 92

[56] **References Cited**

U.S. PATENT DOCUMENTS

D. 250,568 12/1978 Belinkoff D7/153
4,111,372 9/1978 Hicks et al. D7/153 X

Primary Examiner—Donald B. Moyer
Attorney, Agent, or Firm—Michael N. Meller

[57] **CLAIM**

The ornamental design for a food processor, as shown and described.

DESCRIPTION

FIG. 1 is a top, front and right side perspective view of a food processor showing our new design, FIG. 2 is a rear, bottom and left side perspective view thereof, and FIG. 3 is a left side elevational view thereof.

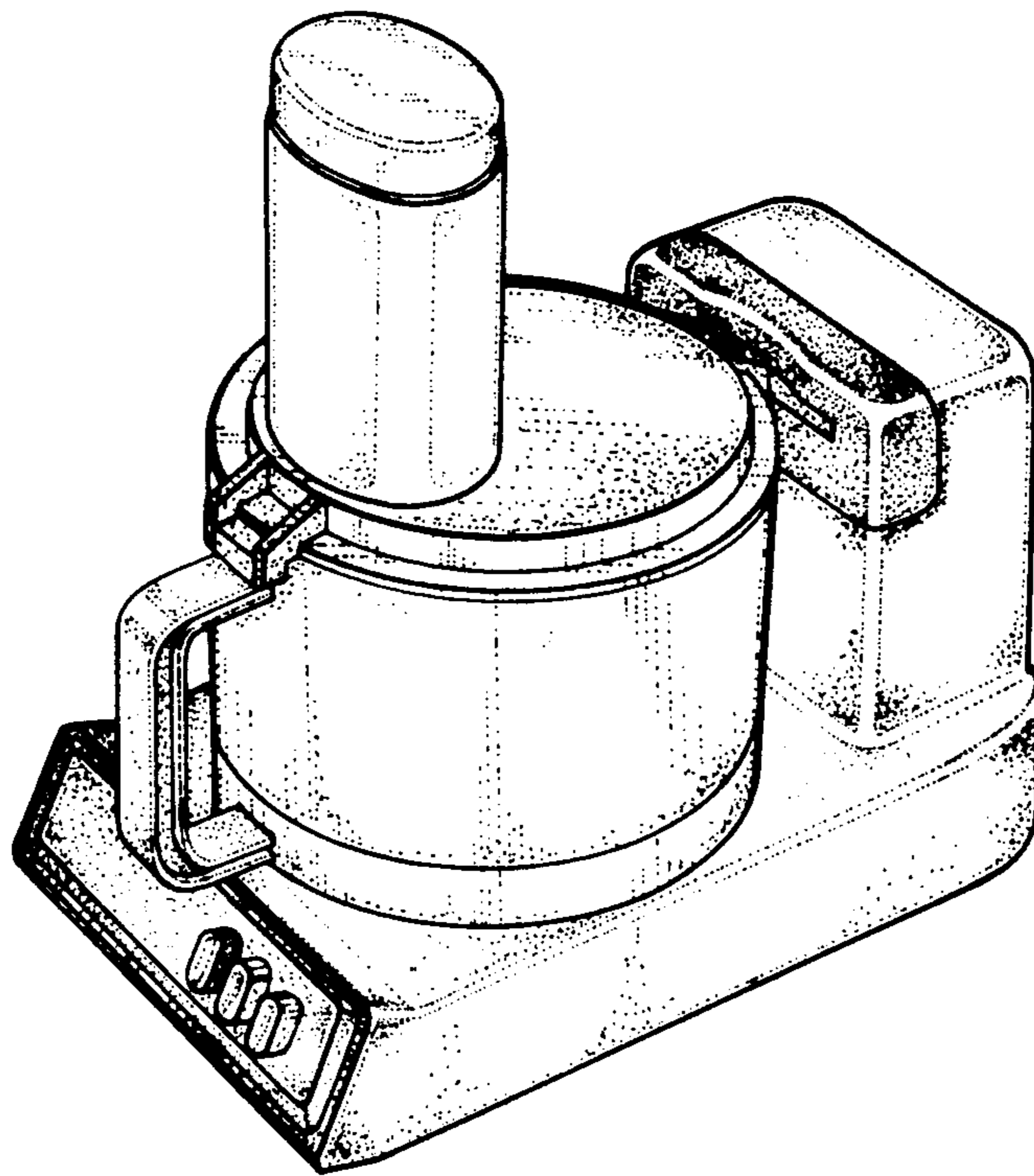


FIG. 1

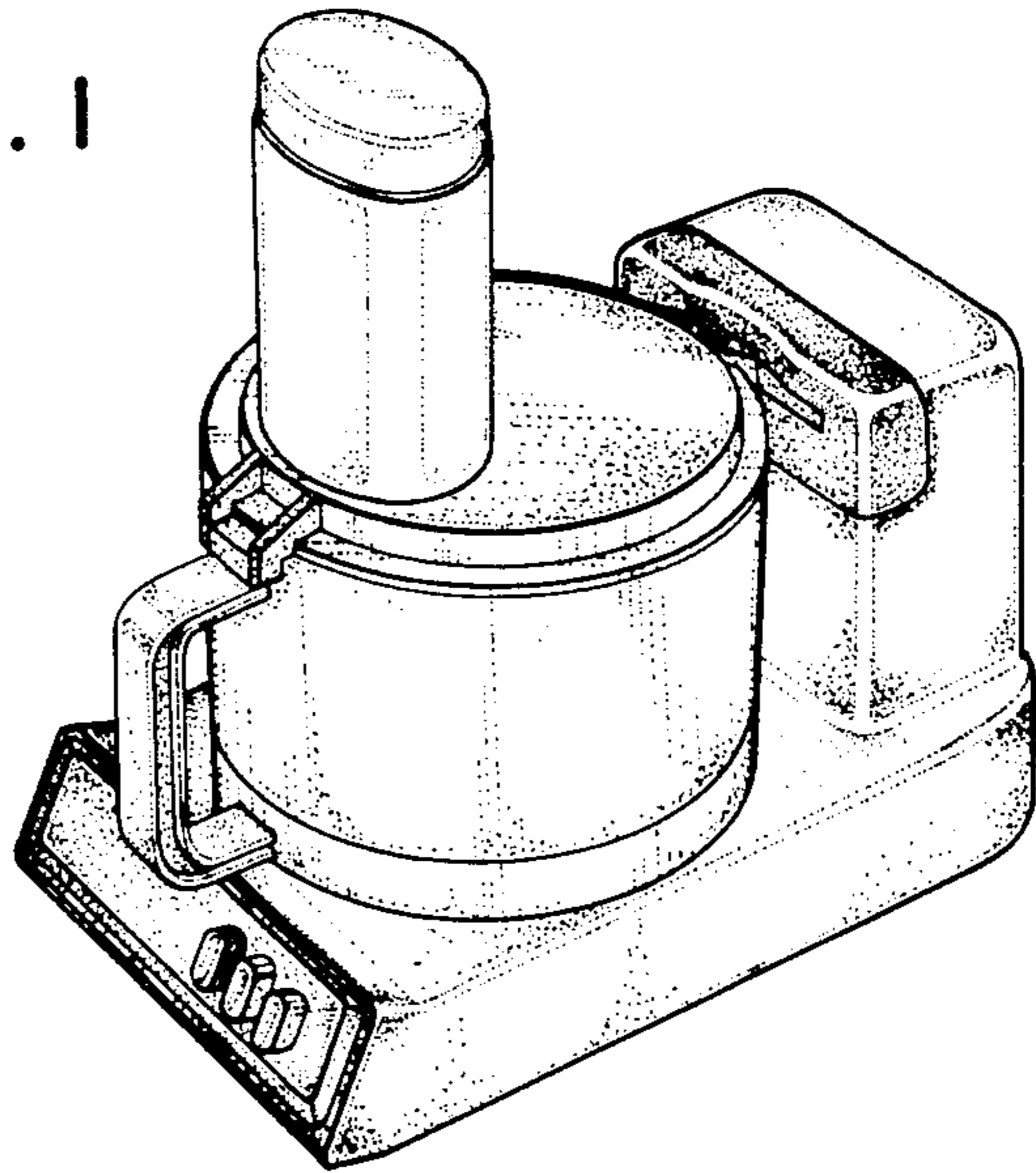


FIG. 2

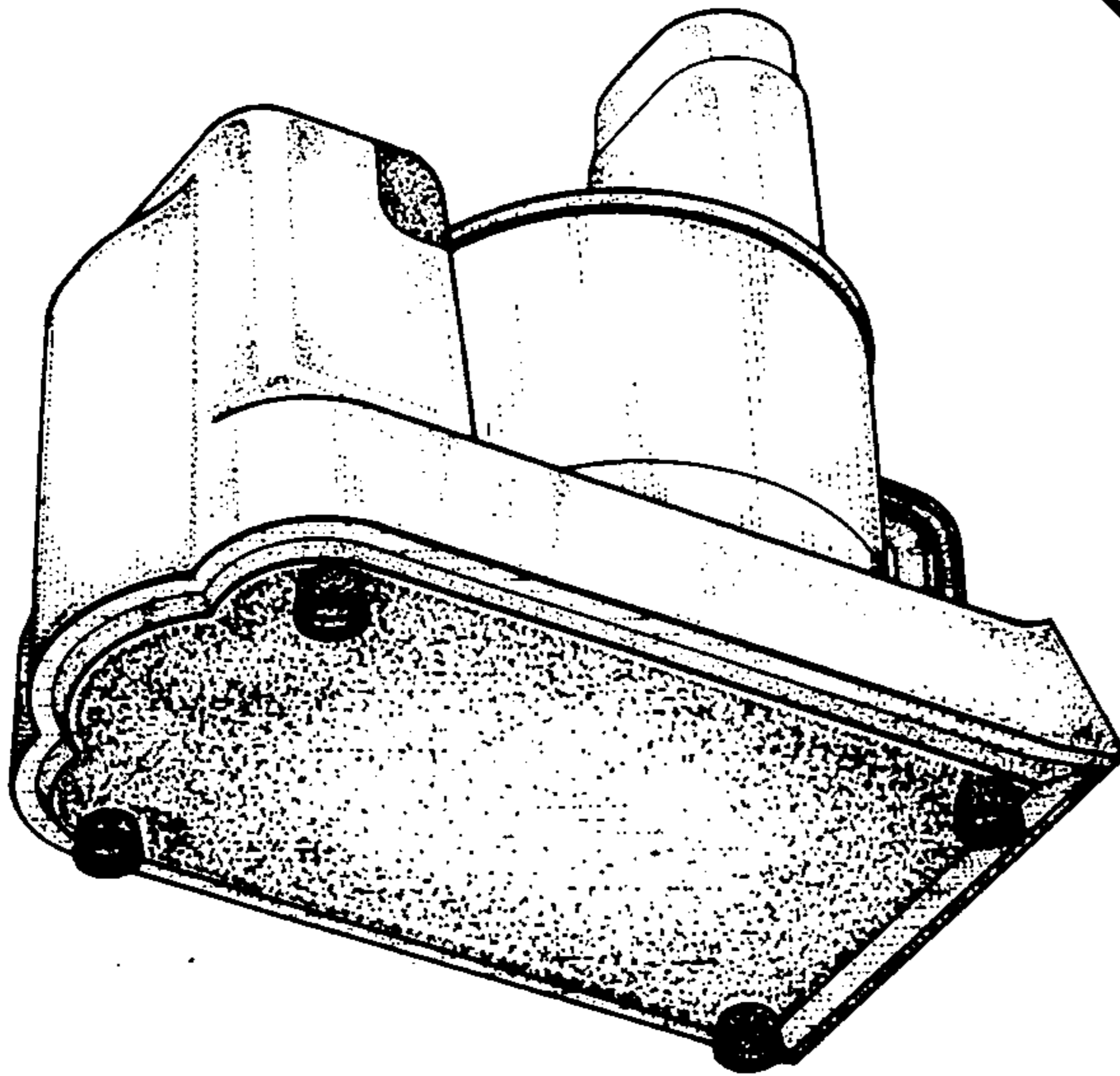
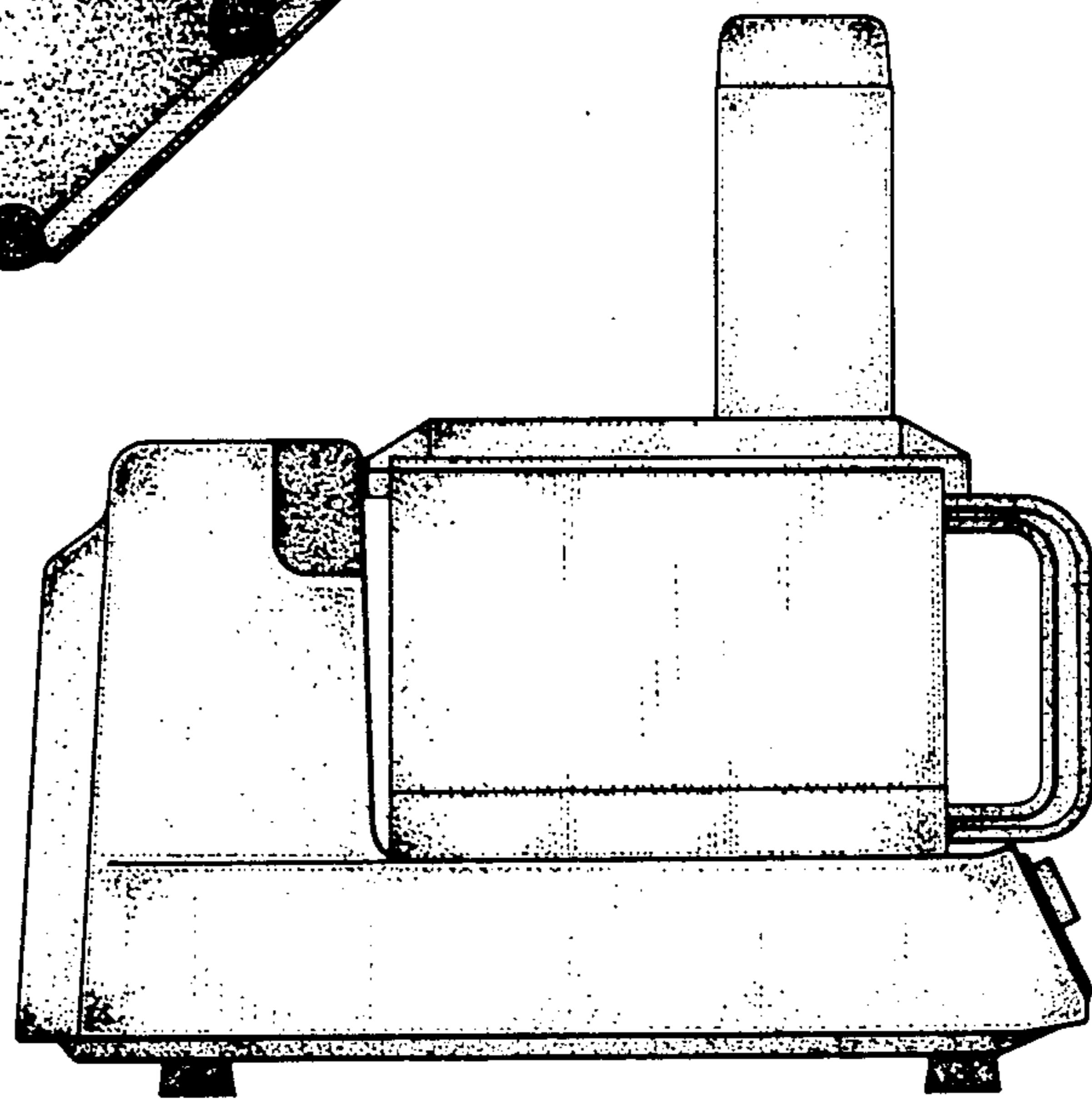


FIG. 3



UNITED STATES PATENT AND TRADEMARK OFFICE
CERTIFICATE OF CORRECTION

PATENT NO. : Des. 258,109
DATED : February 3, 1981
INVENTOR(S) : Noboru FUKUMOTO, ET AL.

It is certified that error appears in the above-identified patent and that said Letters Patent are hereby corrected as shown below:

Item [30] should be added as follows:

-- [30] Foreign Application Priority Data
Oct. 14, 1977 [JP] Japan 52-40919--

Signed and Sealed this

Third Day of November 1981

[SEAL]

Attest:

Attesting Officer

GERALD J. MOSSINGHOFF

Commissioner of Patents and Trademarks