

[54] PORTABLE COOKING GRILL

[76] Inventor: Charles W. Cone, Lake Shore Manor  
Apartments #B-25, Lake Alfred,  
Fla. 33850

[\*\*] Term: 14 Years

[21] Appl. No.: 955,383

[22] Filed: Oct. 27, 1978

[51] Int. Cl. .... D7-02

[52] U.S. Cl. .... D7/110

[58] Field of Search ..... D7/107, 108, 109, 110;  
126/25 R, 25 A, 25 AA, 25 B, 25 C, 29, 30, 9 R,  
9 A, 9 B; 99/467, 473, 481, 482, 444, 446, 447,  
450

[56] References Cited

U.S. PATENT DOCUMENTS

D. 243,310 2/1977 Heberling ..... D7/110  
3,455,233 7/1969 Cable ..... 99/446 X  
3,665,913 5/1972 Cagle, Jr. .... 126/25 R

OTHER PUBLICATIONS

Electrical Merchandising Week-Jul. 10, 1961, p. 20,  
Royal Chef Brazier, No. R05-38.

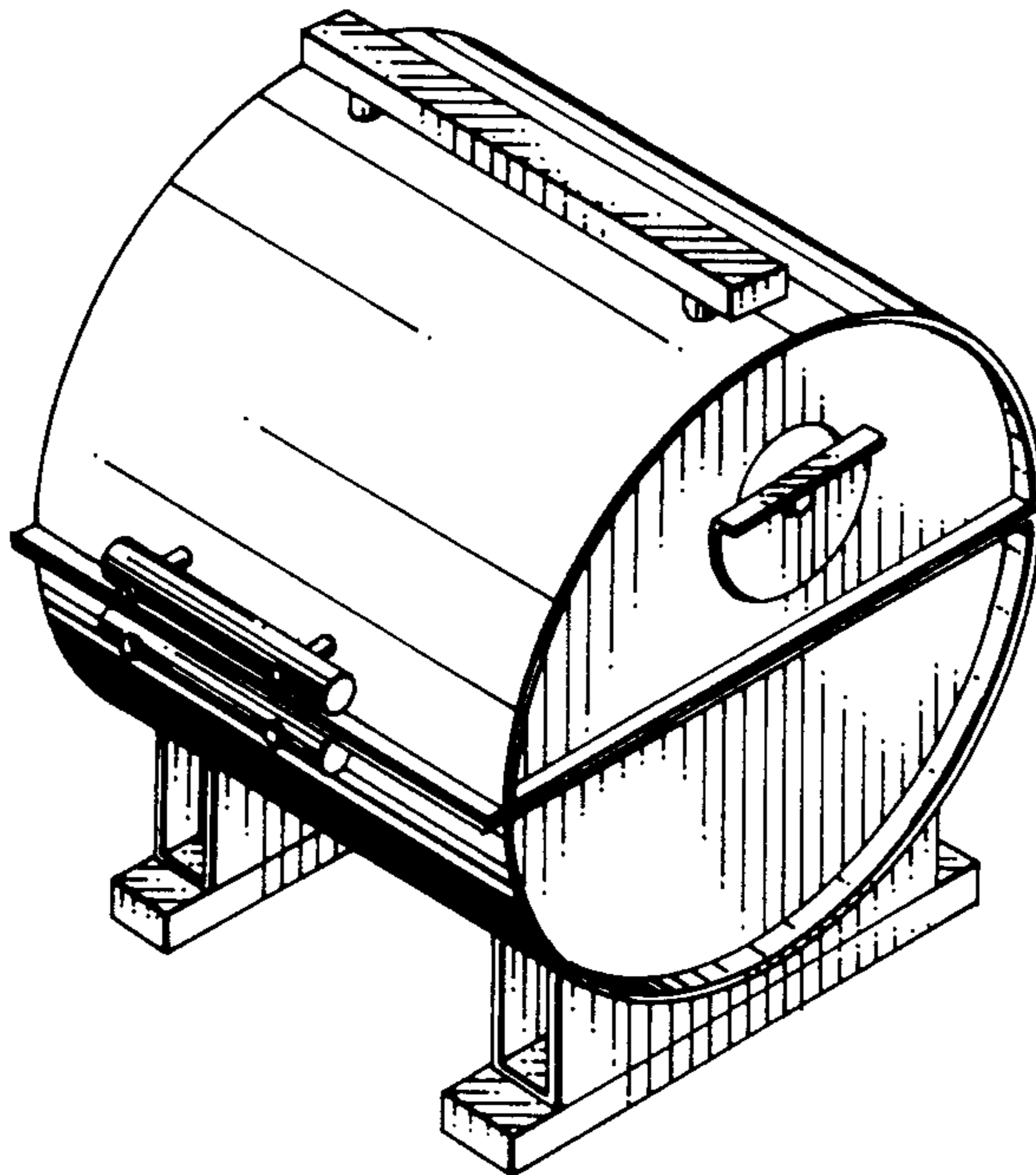
Primary Examiner—Catherine E. Kemper  
Attorney, Agent, or Firm—Thomas G. Watkins, III

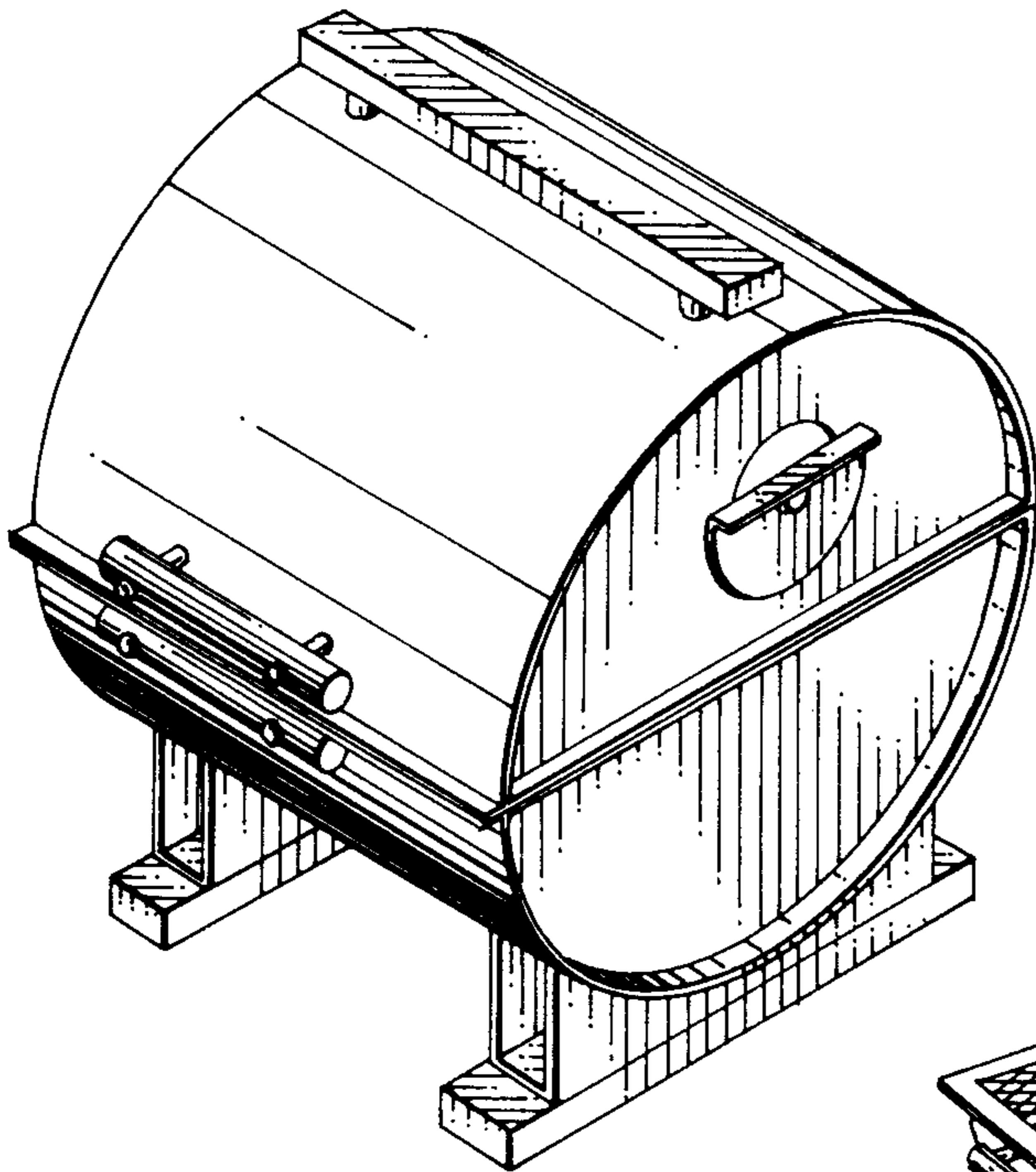
[57] CLAIM

The ornamental design for a portable cooking grill, as  
shown and described.

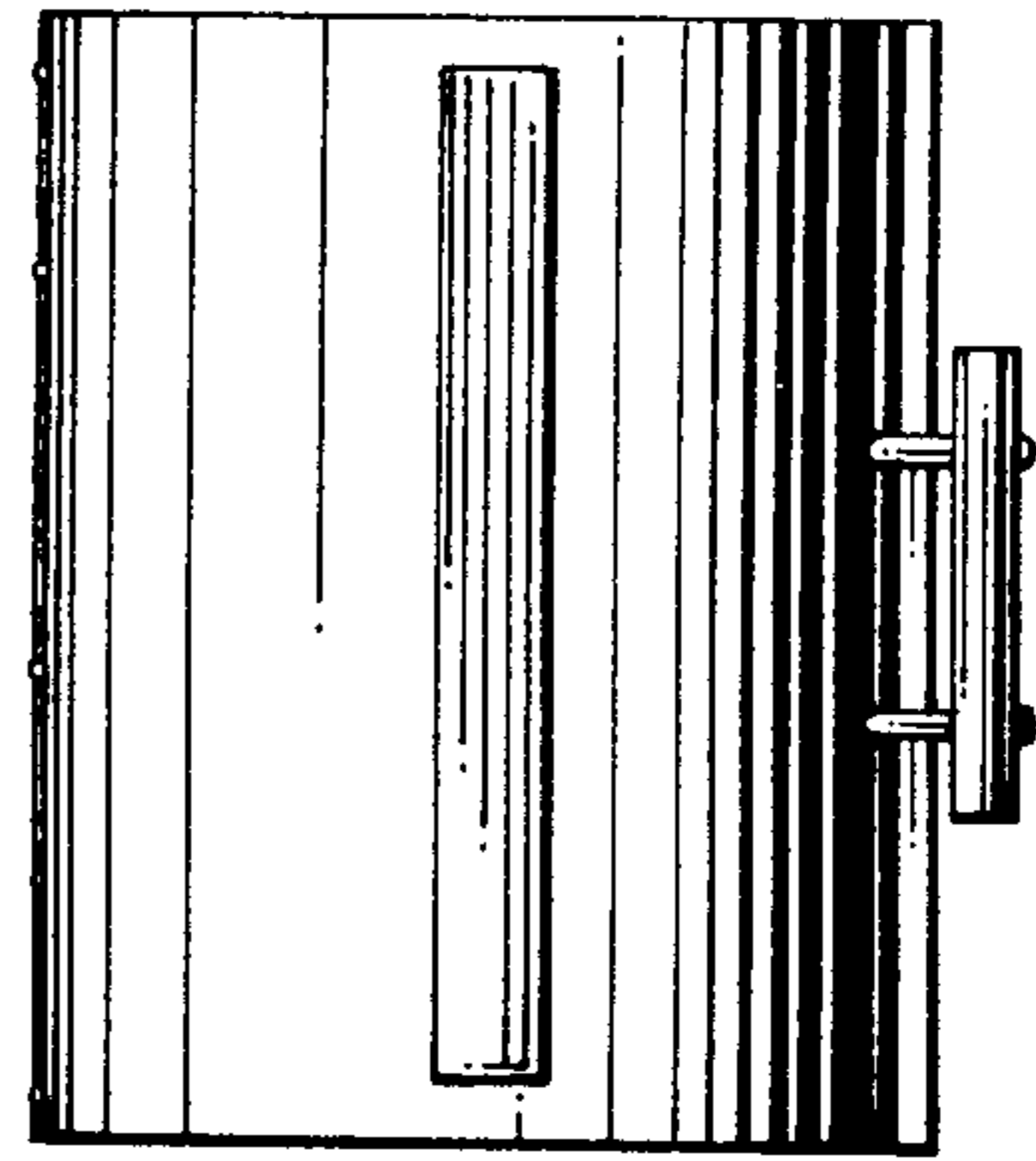
DESCRIPTION

FIG. 1 is a front perspective view of a portable cooking  
grill showing my new design;  
FIG. 2 is a perspective view, taken from the left rear, of  
the portable cooking grill illustrated in FIG. 1;  
FIG. 3 is a view from above of the portable cooking  
grill illustrated in FIG. 1;  
FIG. 4 is a perspective view of the portable grill shown  
with the two halves open and on a reduced scale;  
FIG. 5 is a left side elevational view of the portable  
cooking grill illustrated in FIG. 1.  
The grill pattern which is shown fragmentarily in FIG.  
4 is understood to repeat uniformly and continuously  
across the entire indicated area.

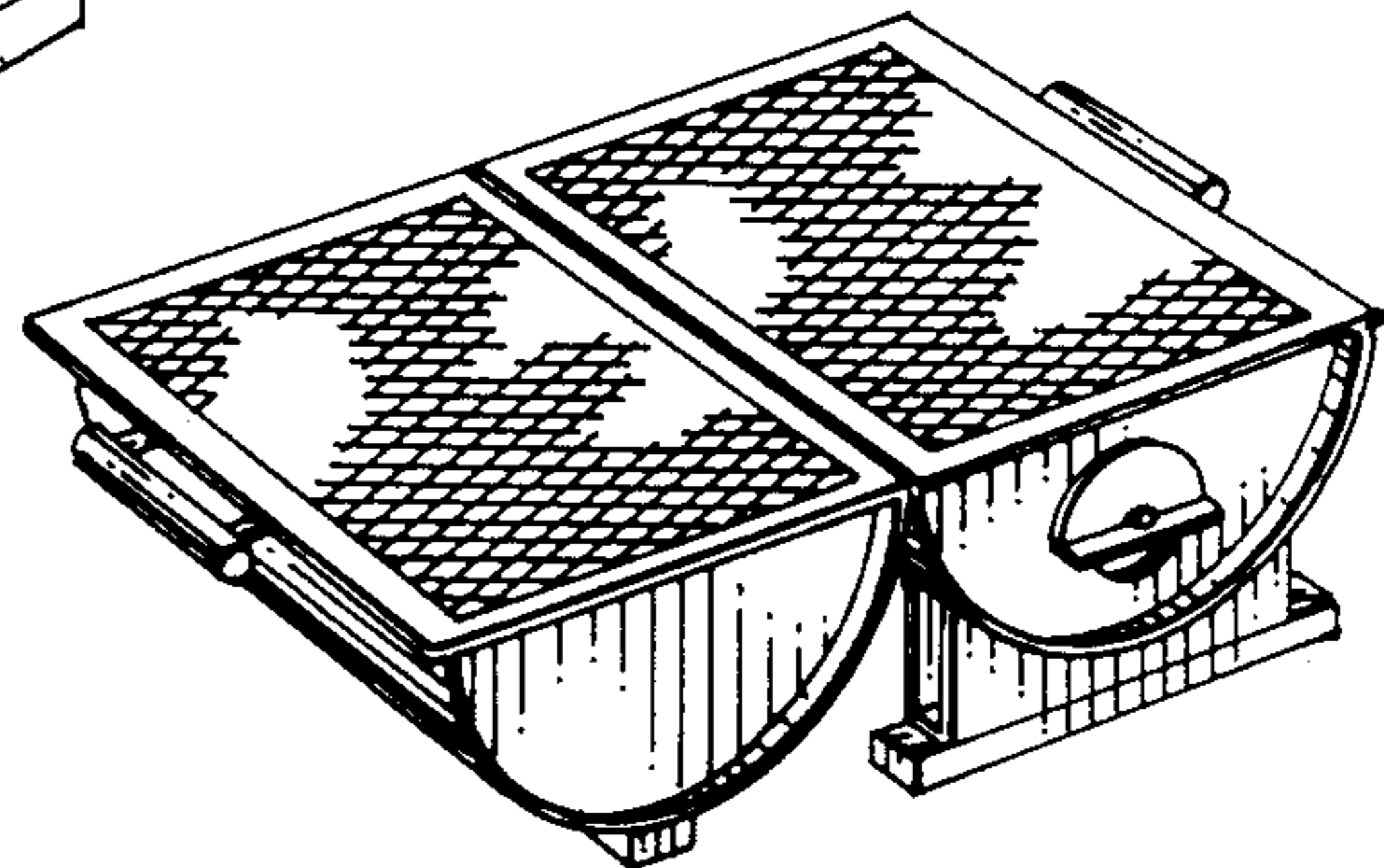




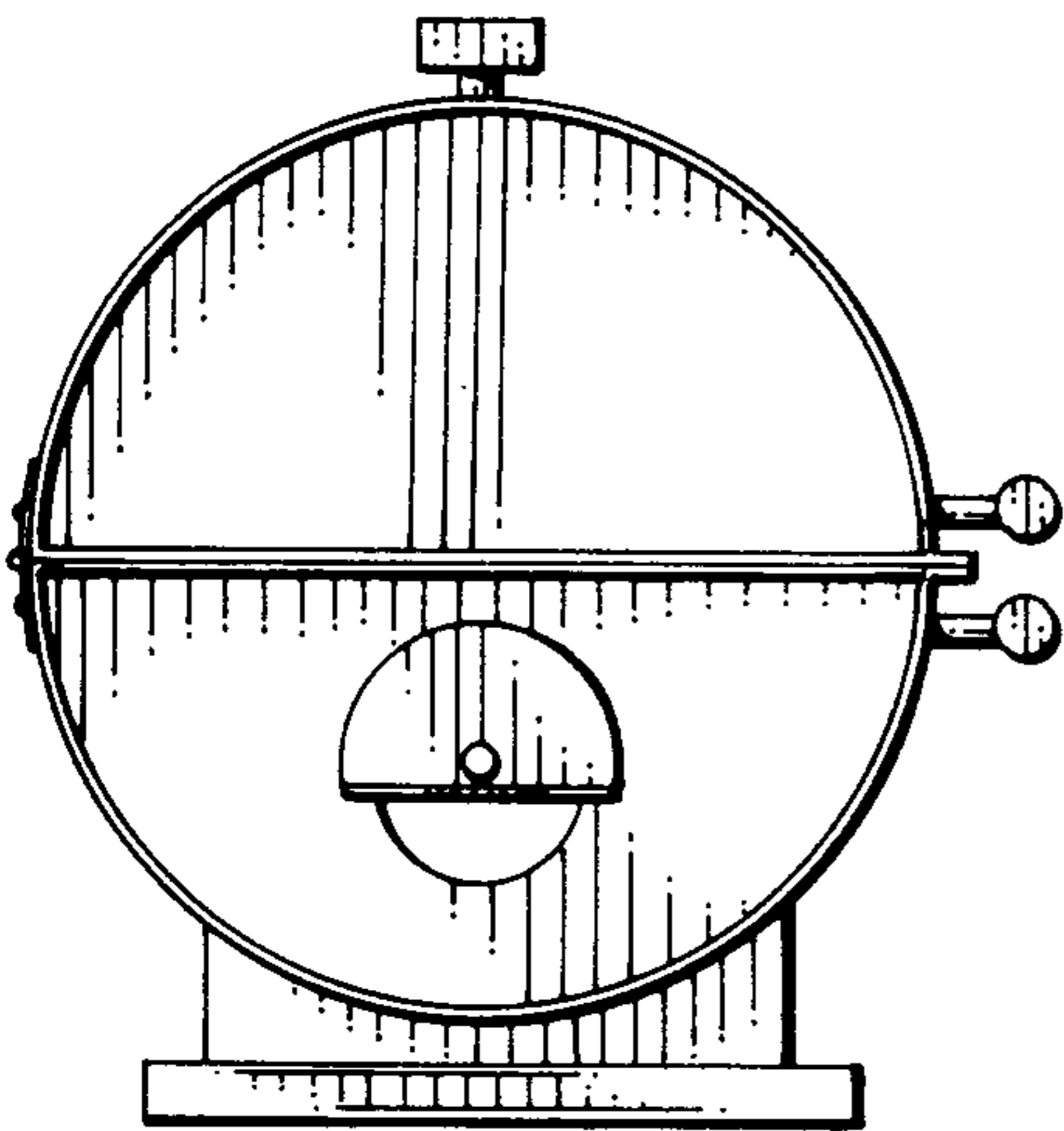
*FIG. 1*



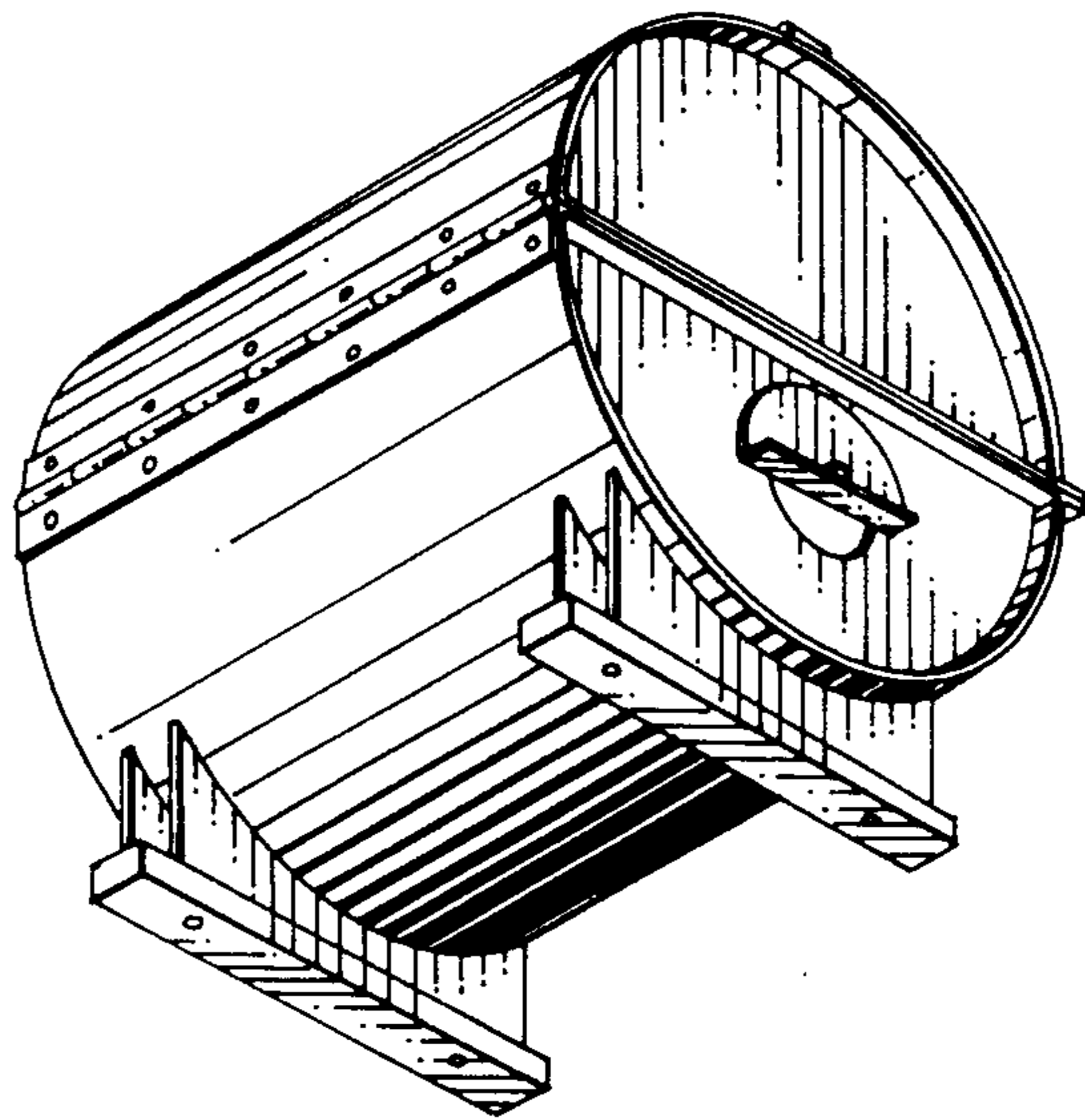
*FIG. 3*



*FIG. 4*



*FIG. 5*



*FIG. 2*