

[54] CANOPIED GRILL CONTAINER

[76] Inventor: George L. Stevenson, 509 S. 5th St.,
Clinton, Ind. 47842

[**] Term: 14 Years

[21] Appl. No.: 953,421

[22] Filed: Oct. 23, 1978

[51] Int. Cl. D7-02; D11-02;
D31-00

[52] U.S. Cl. D7/107; D11/149;
D99/41

[58] Field of Search D7/107, 108, 109, 110;
D11/149; D99/37, 41; D21/114, 115, 119;
126/25 R, 25 A, 25 AA, 25 B, 25 C, 29, 30, 9 R,
9 A, 9 B

[56]

References Cited

U.S. PATENT DOCUMENTS

D. 107,176	11/1937	Meyer	D11/149
160,798	3/1875	Thomas	126/25 R
D. 189,949	3/1961	Smith	D7/108
D. 194,550	2/1963	Margolis	D21/114 X
3,398,733	8/1968	Bradley	126/25 A

Primary Examiner—Catherine E. Kemper
Attorney, Agent, or Firm—Thomas P. Jenkins

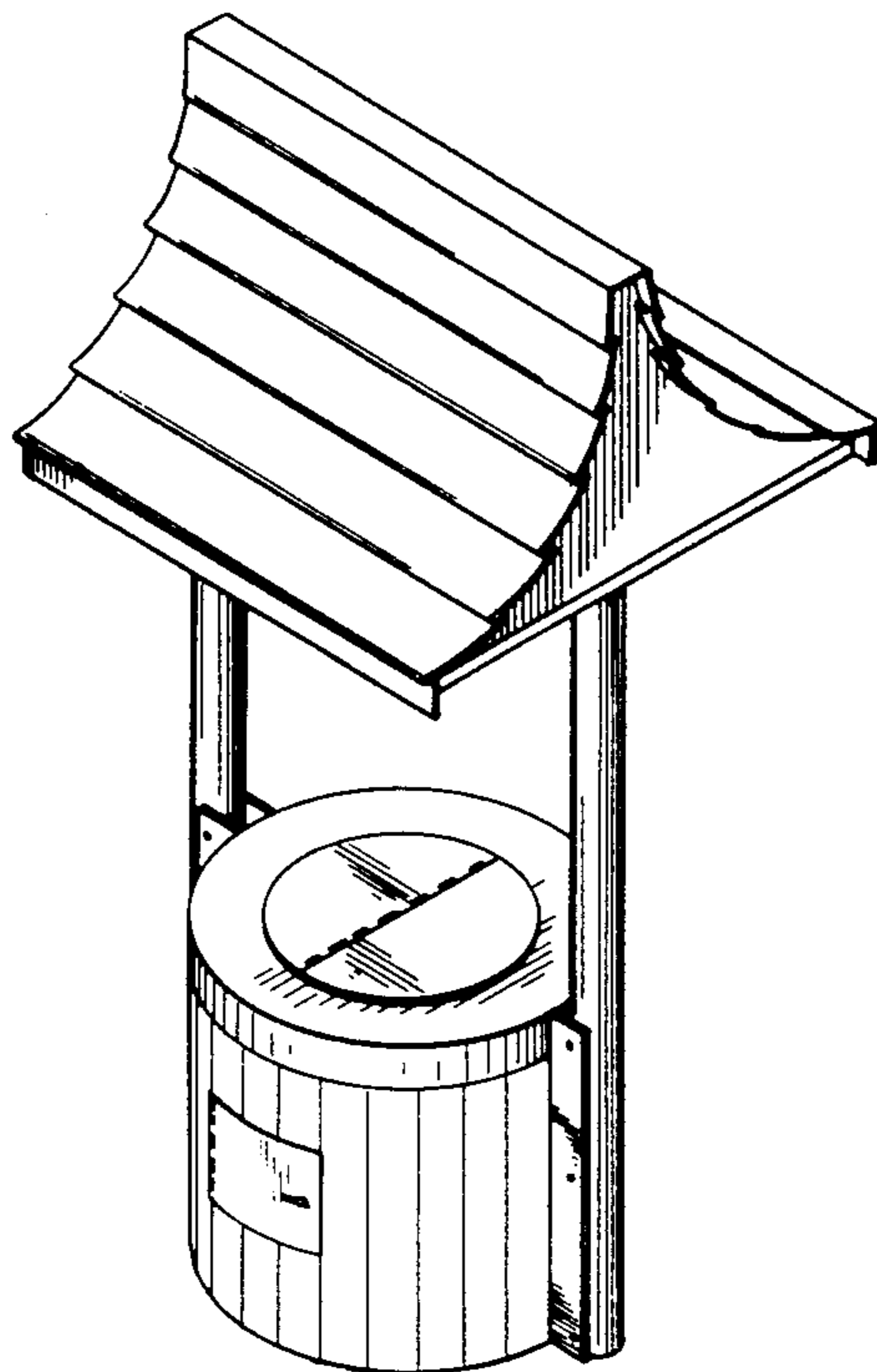
[57]

CLAIM

The ornamental design for a canopied grill container, as shown.

DESCRIPTION

FIG. 1 is a perspective view of a canopied grill container showing my new design;
FIG. 2 is a right side elevational view thereof;
FIG. 3 is a top plan view thereof;
FIG. 4 is a front elevational view thereof;
FIG. 5 is a left side elevational view thereof;
FIG. 6 is a rear elevational view thereof;
FIG. 7 is a bottom plan view thereof.



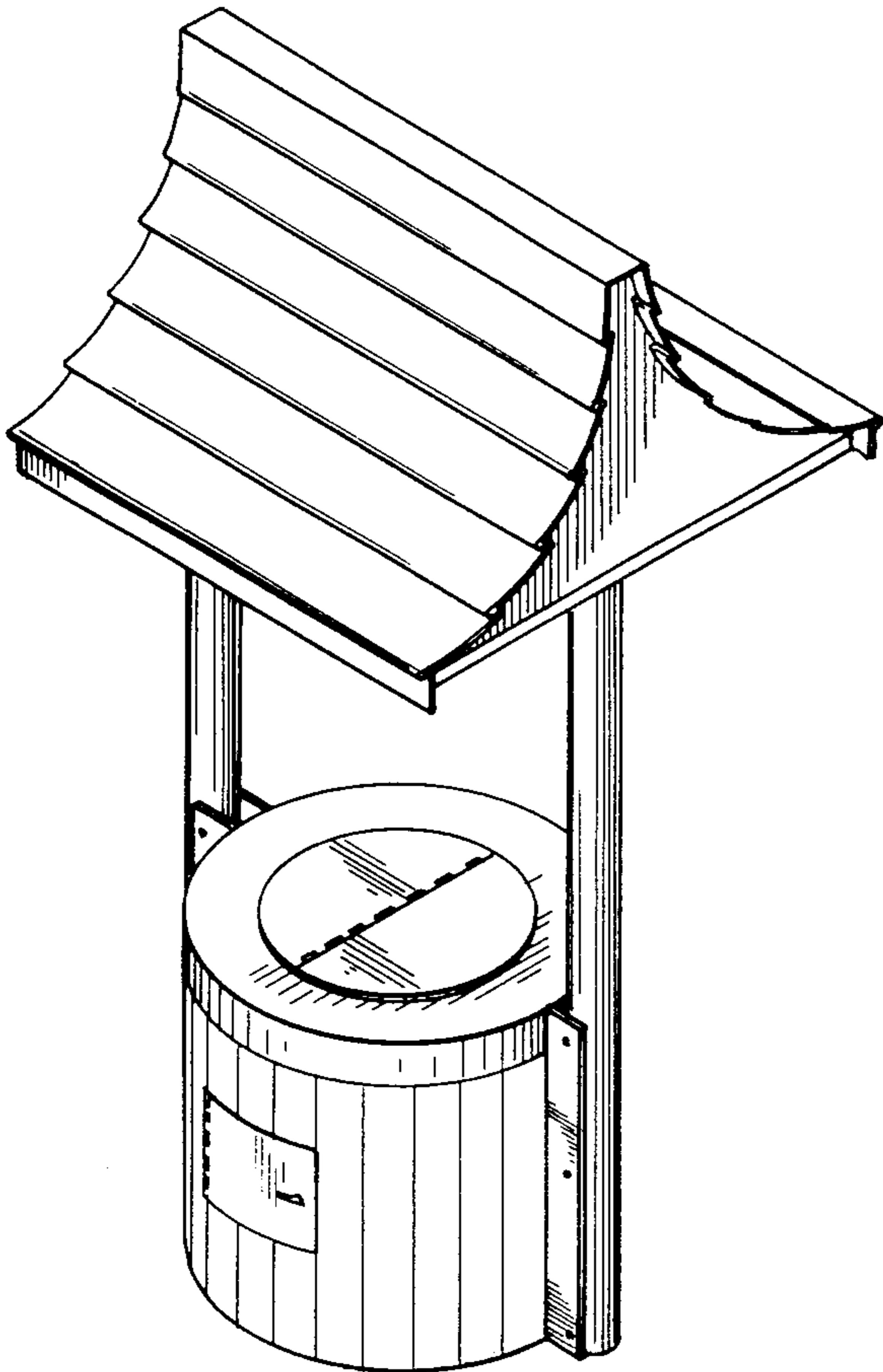


FIG. 1

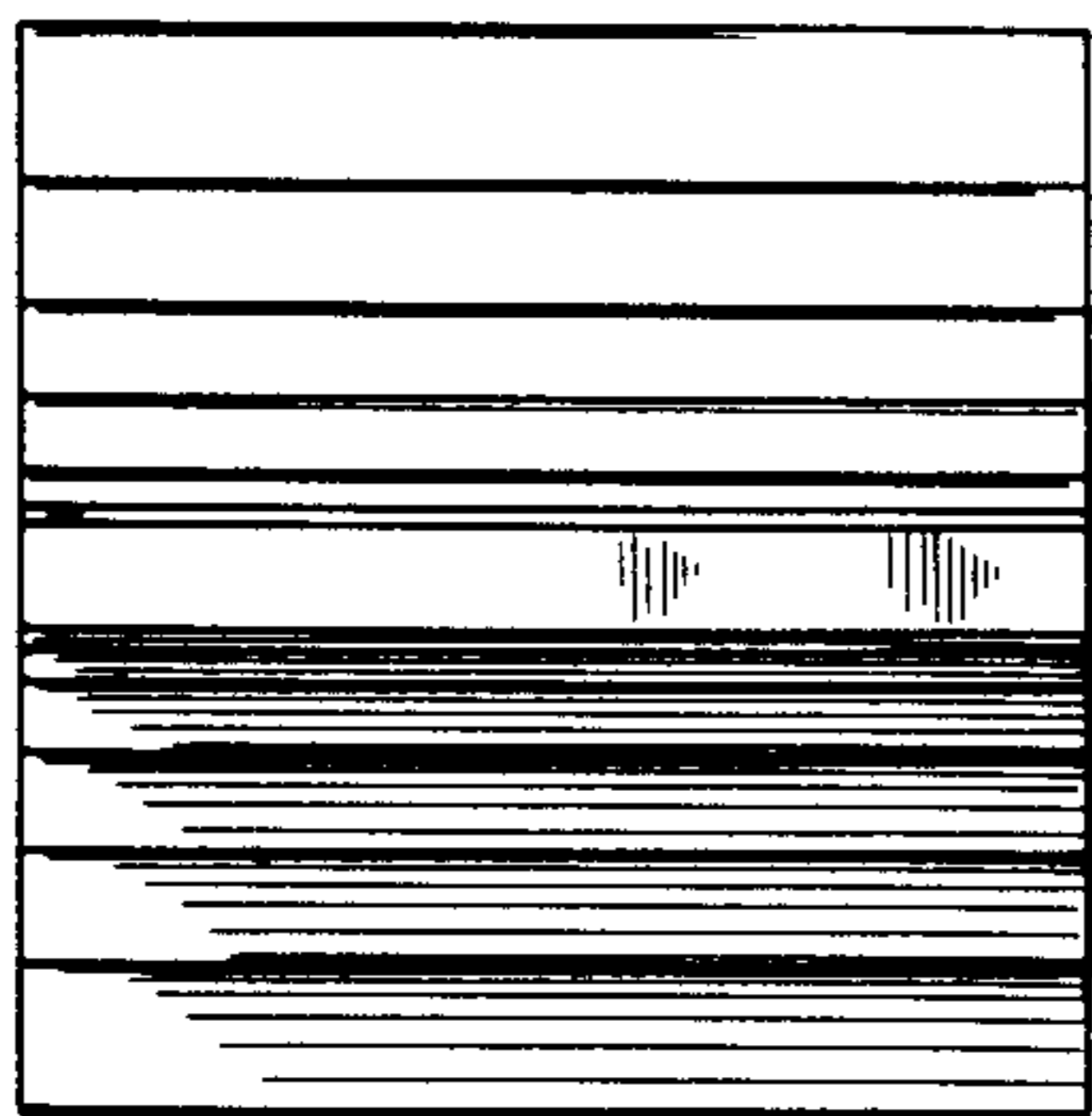


FIG. 3

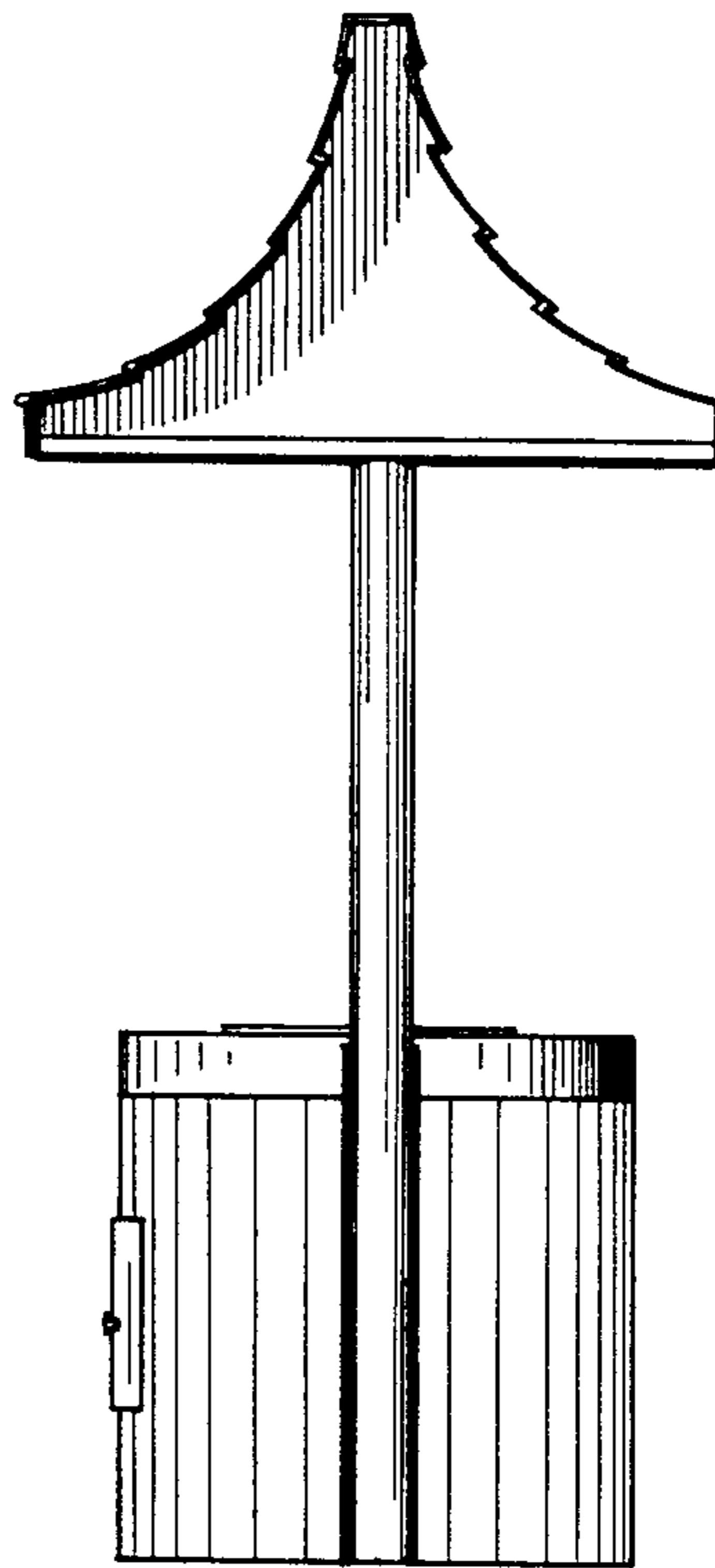


FIG. 2

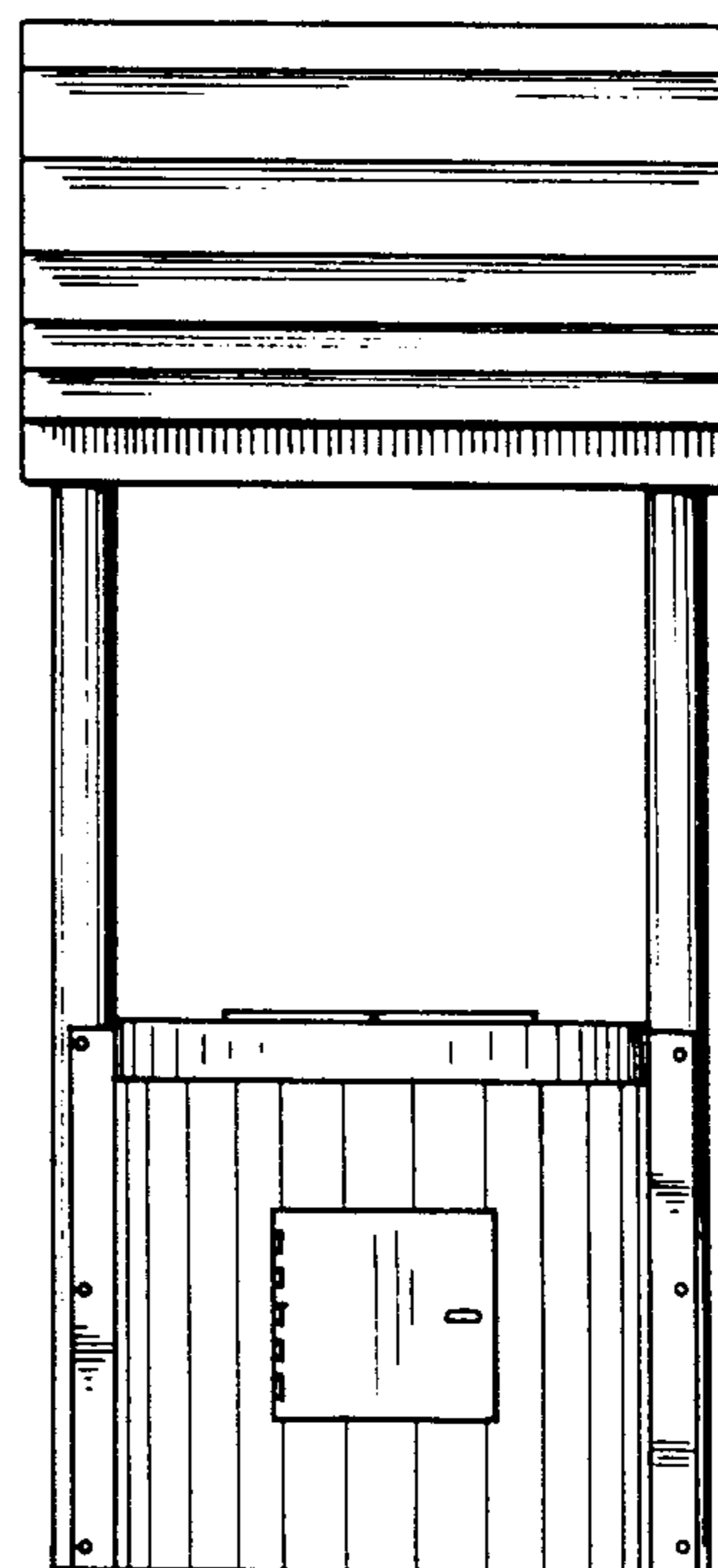


FIG. 4

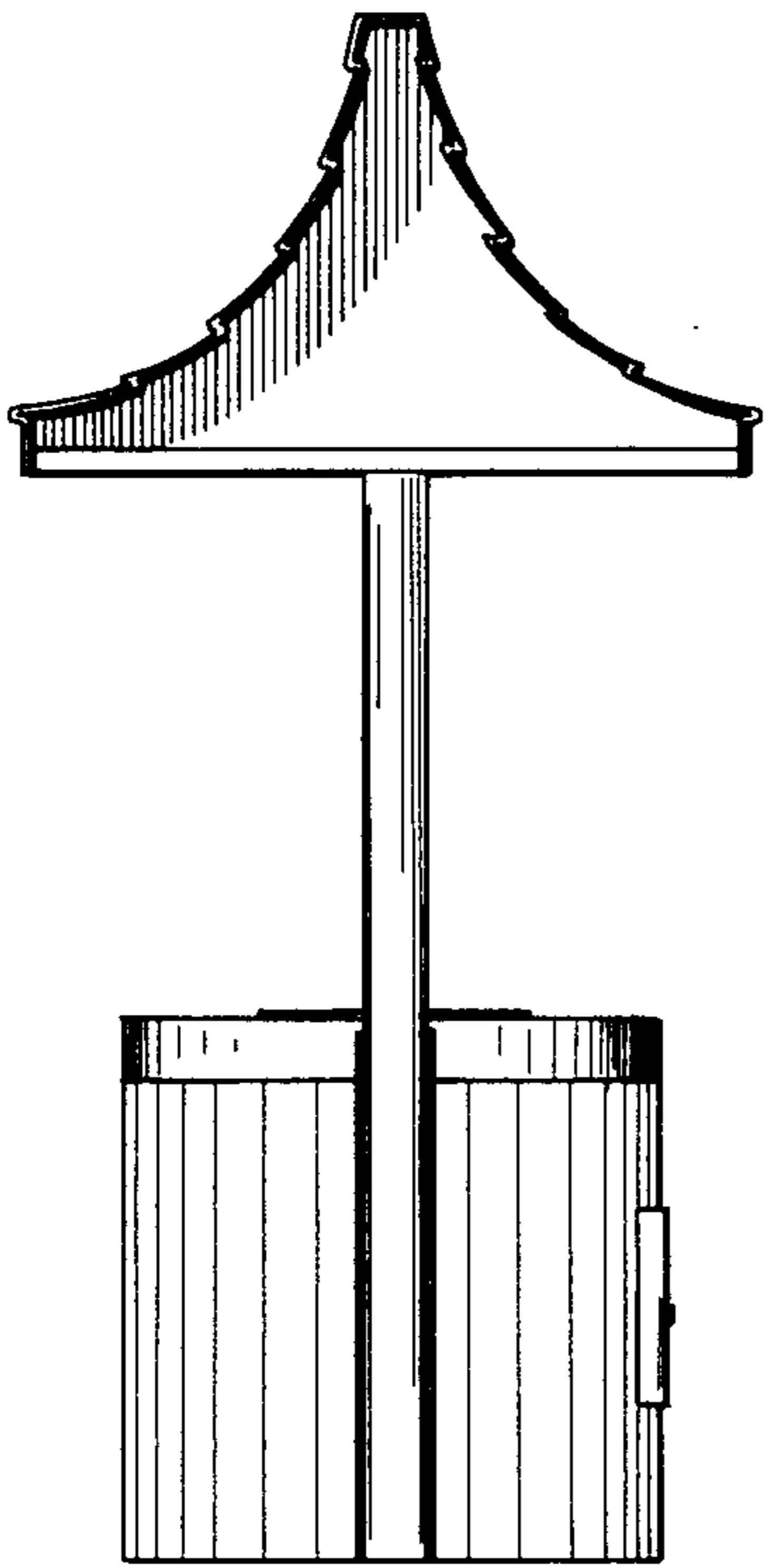


FIG. 5

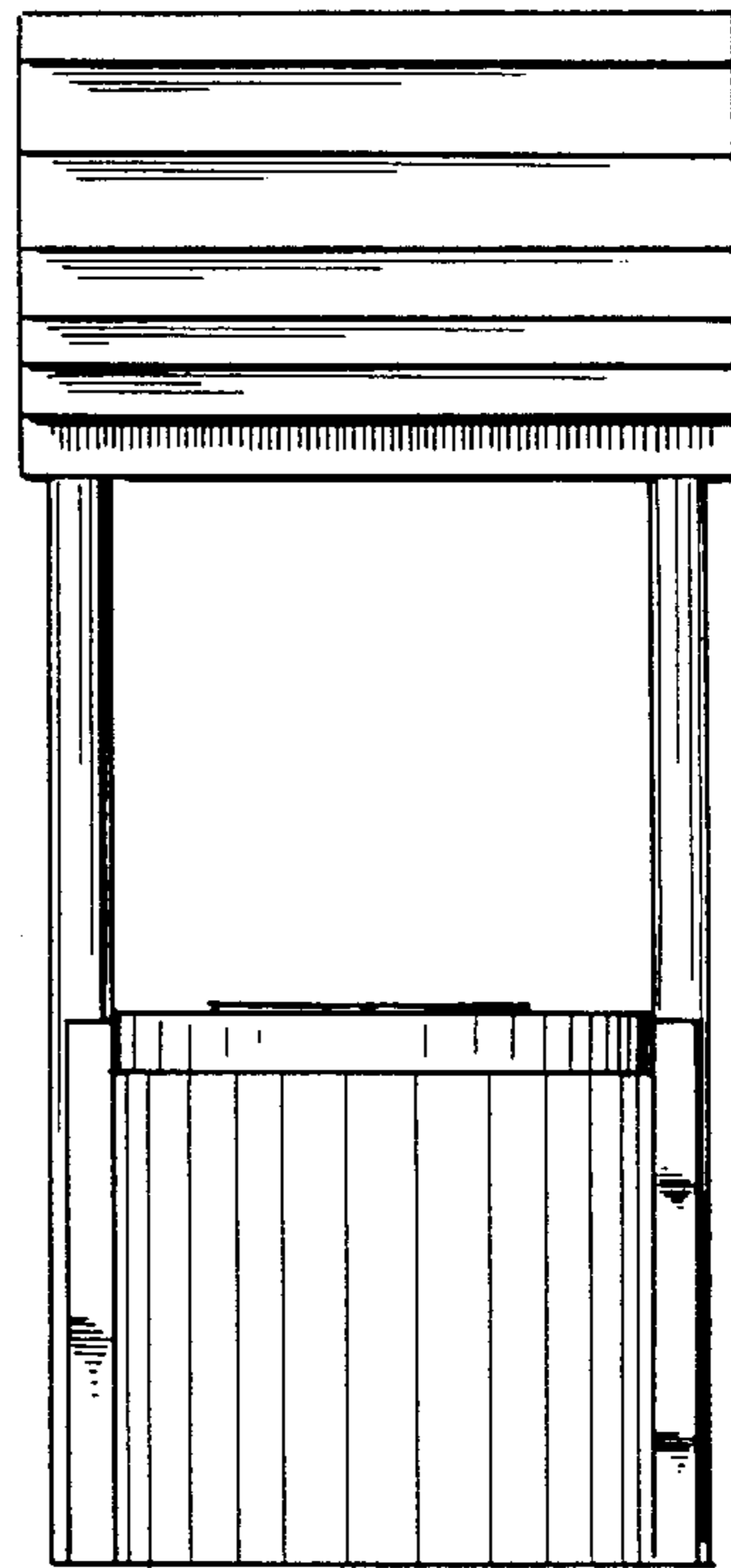


FIG. 6

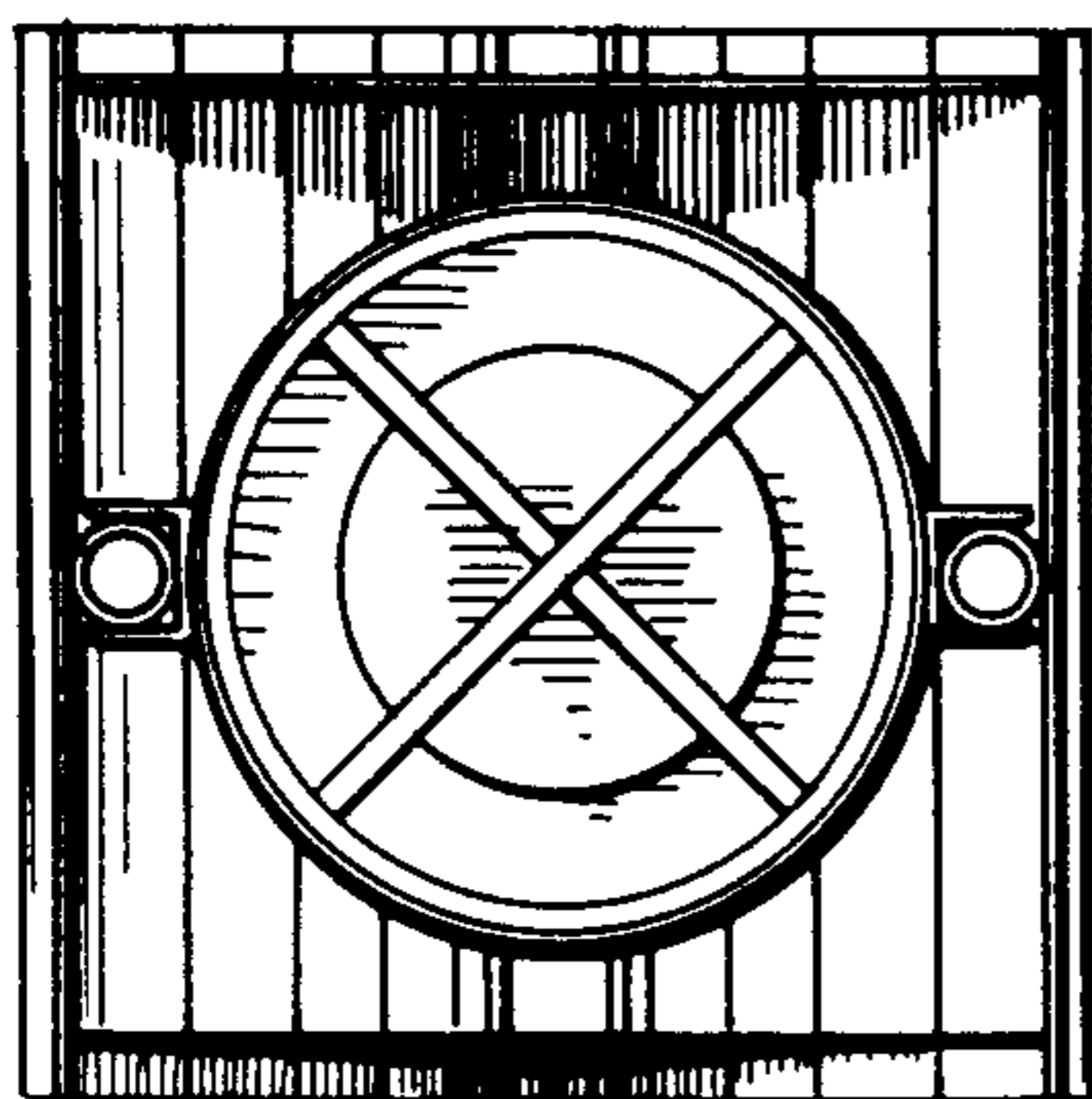


FIG. 7