

[54] HOT DOG STEAMER

[75] Inventor: Joseph L. Viecelli, La Grange, Ill.

[73] Assignee: Sunbeam Corporation, Chicago, Ill.

[**] Term: 14 Years

[21] Appl. No.: 869,551

[22] Filed: Jan. 16, 1978

[51] Int. Cl. D7-02

[52] U.S. Cl. D7/94; D7/85;
D7/41; D15/106

[58] Field of Search D7/41, 85, 94, 121,
D7/125; D15/106, 104, 92; 126/377, 369, 348,
389; 99/444, 446, 339, 416, 417, 415; D28/38,
12, 14, 17

[56] References Cited

U.S. PATENT DOCUMENTS

D. 242,978 1/1977 Cavdron D15/106

OTHER PUBLICATIONS

Evans, Distributors & Jewelers, Inc. (1977), p. 311-X, item L.

Primary Examiner—Donald B. Meyer
Attorney, Agent, or Firm—George R. Clark

[57] CLAIM

The ornamental design for a hot dog steamer, as shown and described.

DESCRIPTION

FIG. 1 is a perspective view of a hot dog steamer showing my new design;

FIG. 2 is an end elevational view thereof, the opposite end view being a mirror image thereof;

FIG. 3 is a front side elevational view thereof, the rear side elevational view being a mirror image thereof; and

FIG. 4 is a top plan view thereof.

The bottom of the hot dog steamer is plain and unornamented.

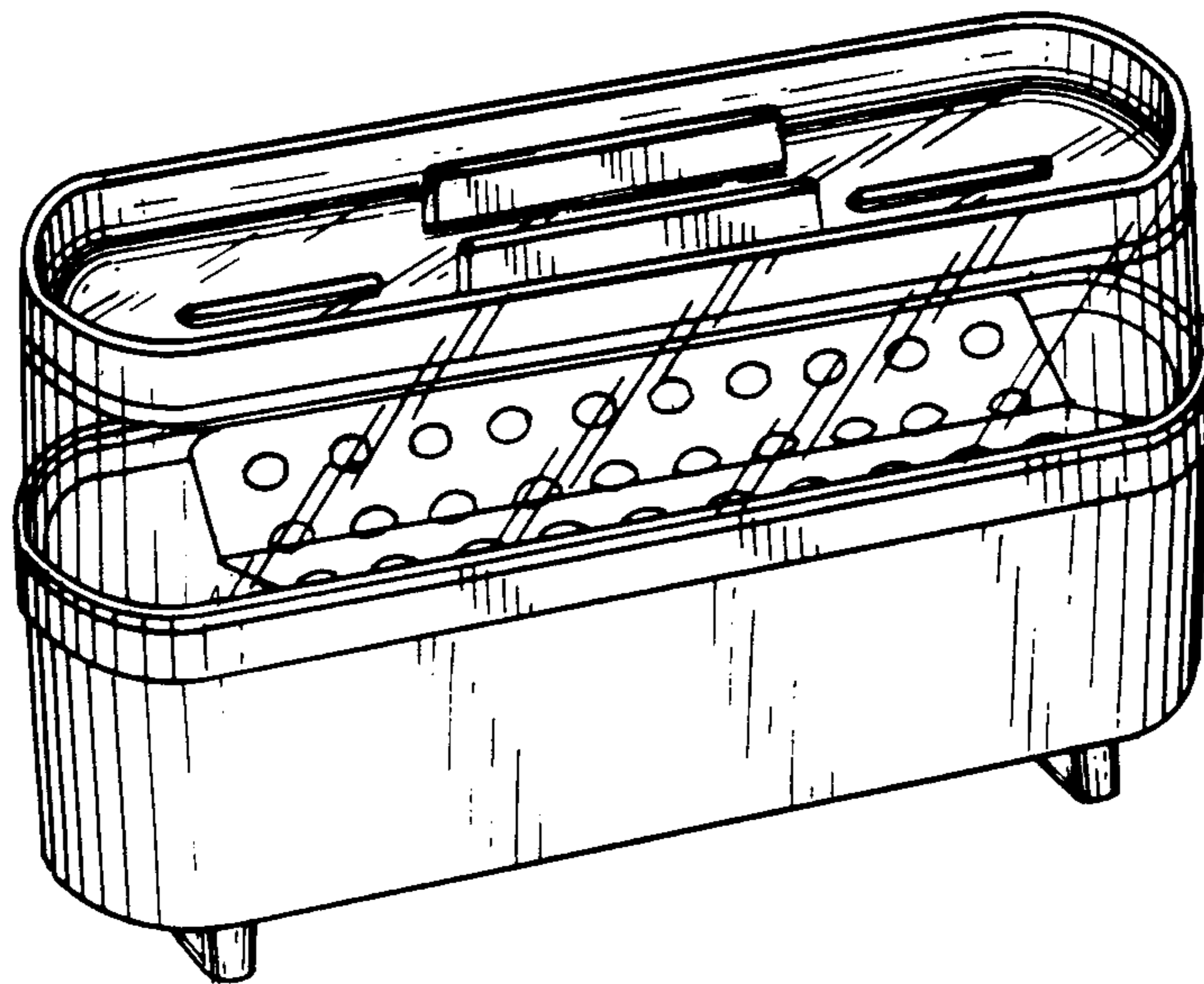


FIG. 1.

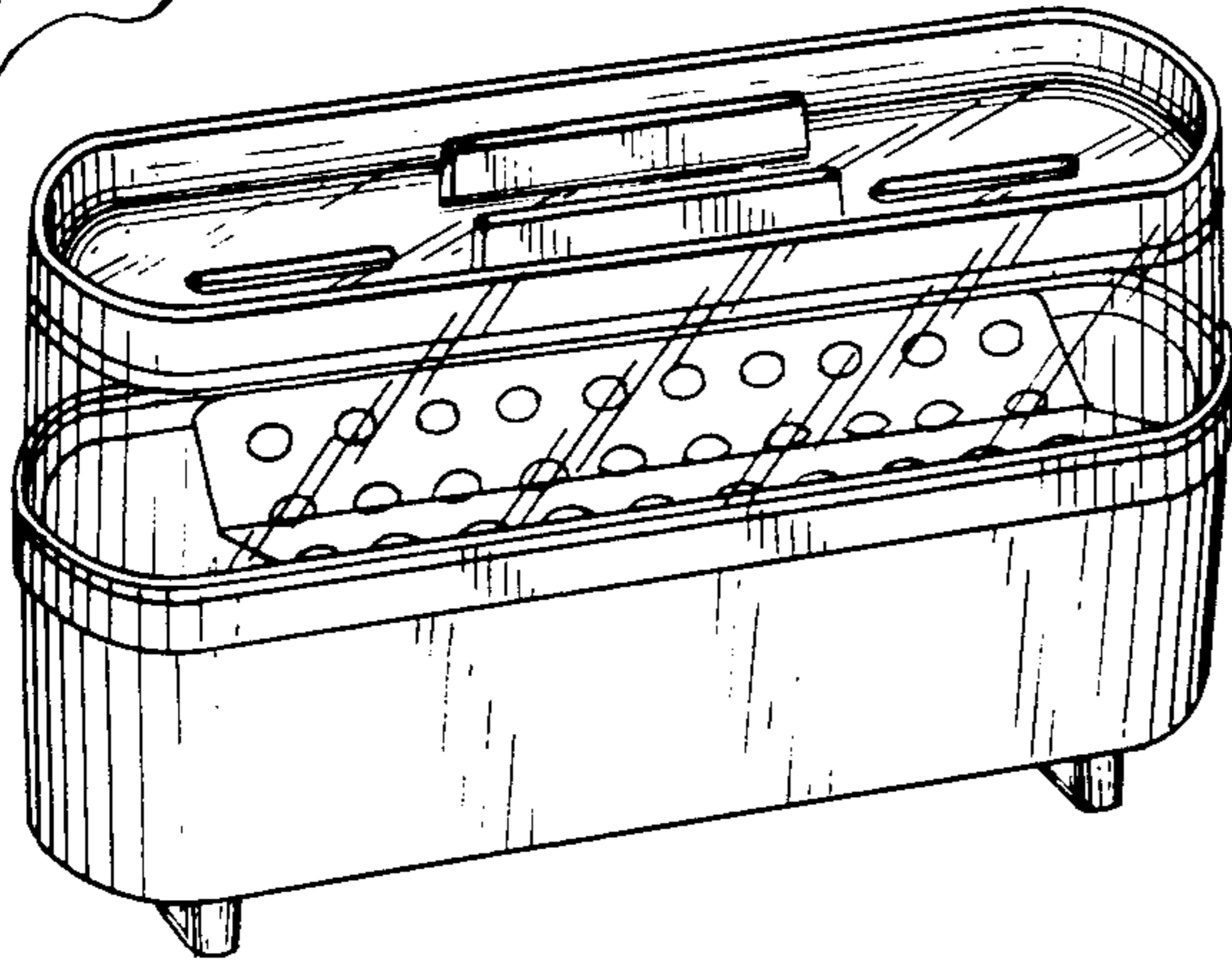


FIG. 2.

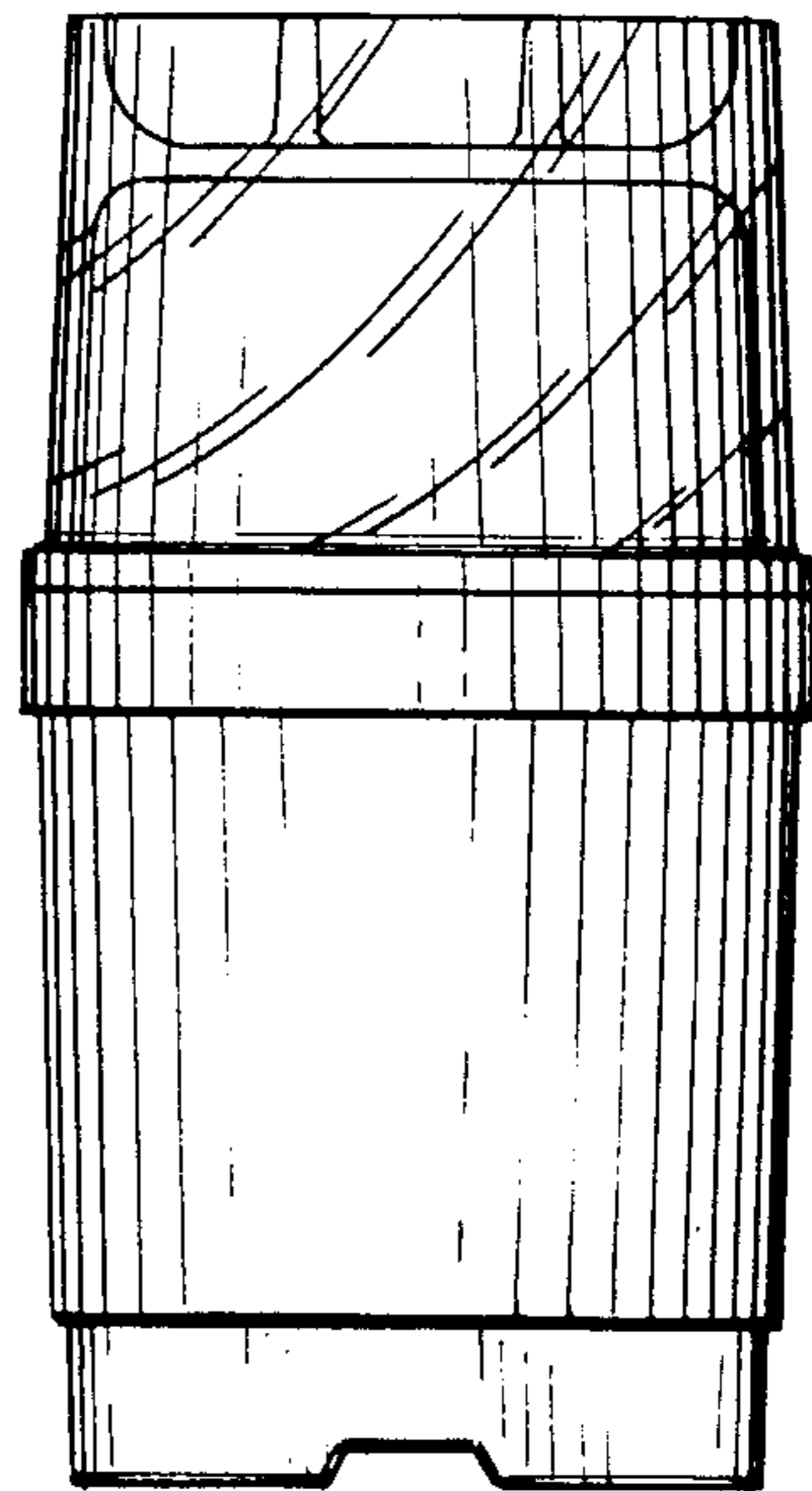


FIG. 3.

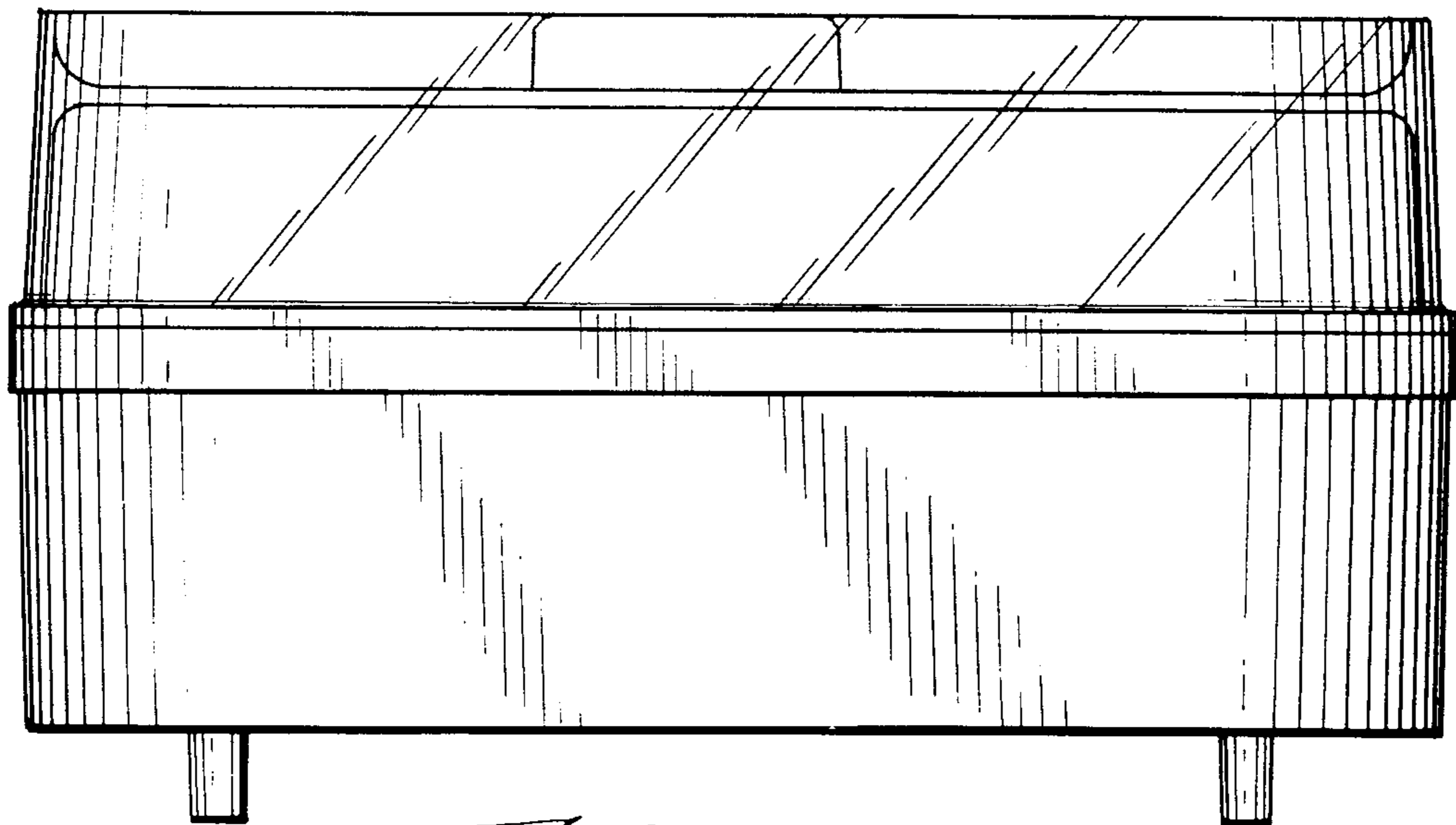


FIG. 4.

