

[54] SIDE TABLE

[76] Inventor: Bertrand M. Baker, 109 N. Warbler La., Sarasota, Fla. 33577

[**] Term: 14 Years

[21] Appl. No.: 880,314

[22] Filed: Feb. 22, 1978

[51] Int. Cl. D6-03

[52] U.S. Cl. D6/146; D6/175

[58] Field of Search D6/147-149, D6/177-179, 175

[56] References Cited

U.S. PATENT DOCUMENTS

- D. 147,507 9/1947 Prem D6/146
- D. 199,315 10/1964 Smith, Jr. D6/146

OTHER PUBLICATIONS

Lloyd Furn. Cat. No. 8-0, outside back cover, Table No. T-6012.

Primary Examiner—Bruce W. Dunkins
Attorney, Agent, or Firm—Mason, Fenwick & Lawrence

[57] CLAIM

The ornamental design for a side table, substantially as shown and described.

DESCRIPTION

FIG. 1 is a perspective view of a side table embodying my new design;

FIG. 2 is a side elevational view of the side table which is symmetrical with respect to a central vertical axis;

FIG. 3 is a sectional view taken along line 3—3 of FIG. 1;

FIG. 4 is a top plan view thereof; and

FIG. 5 is a sectional view taken along line 5—5 of FIG. 4.

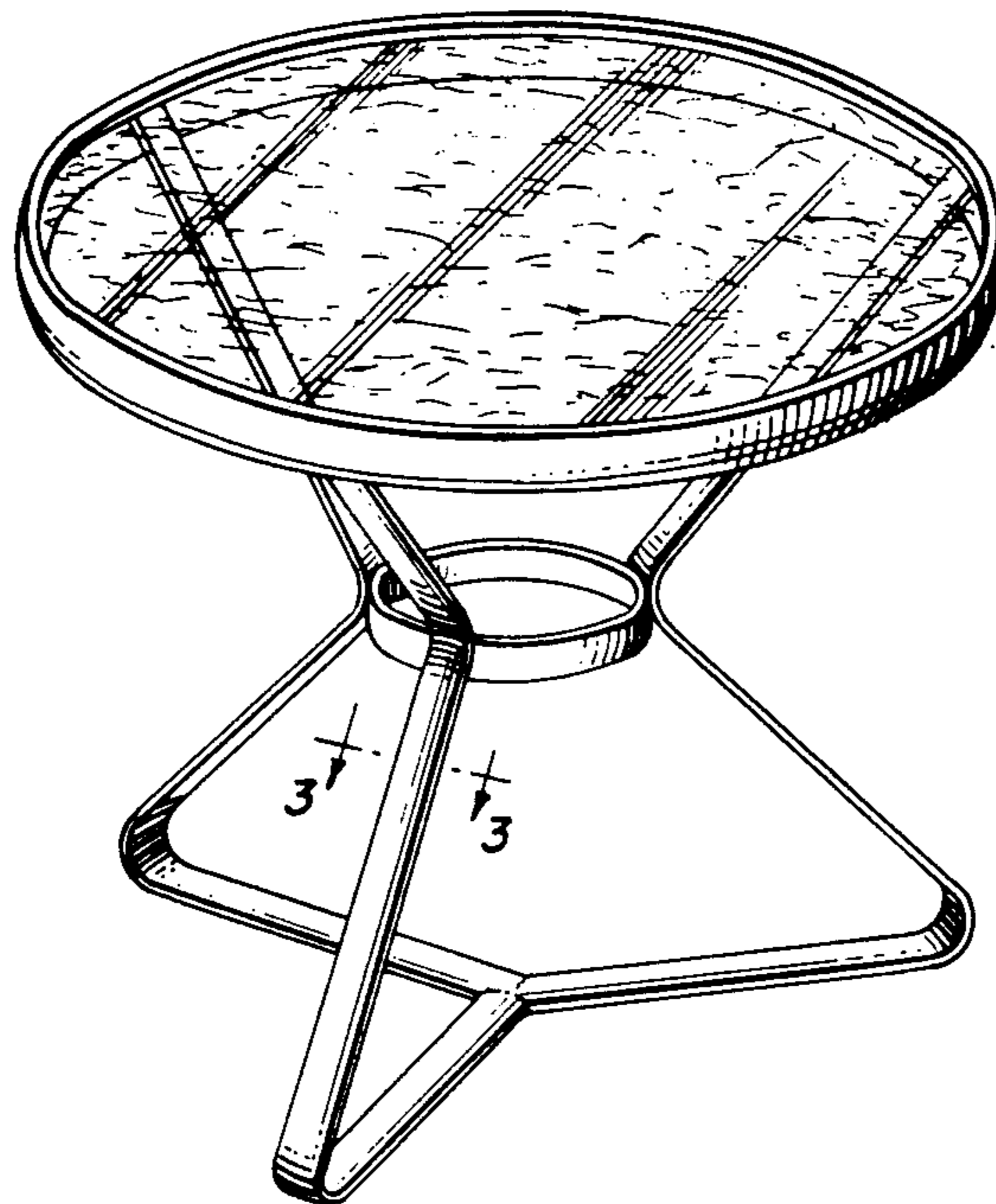


FIG. 1.

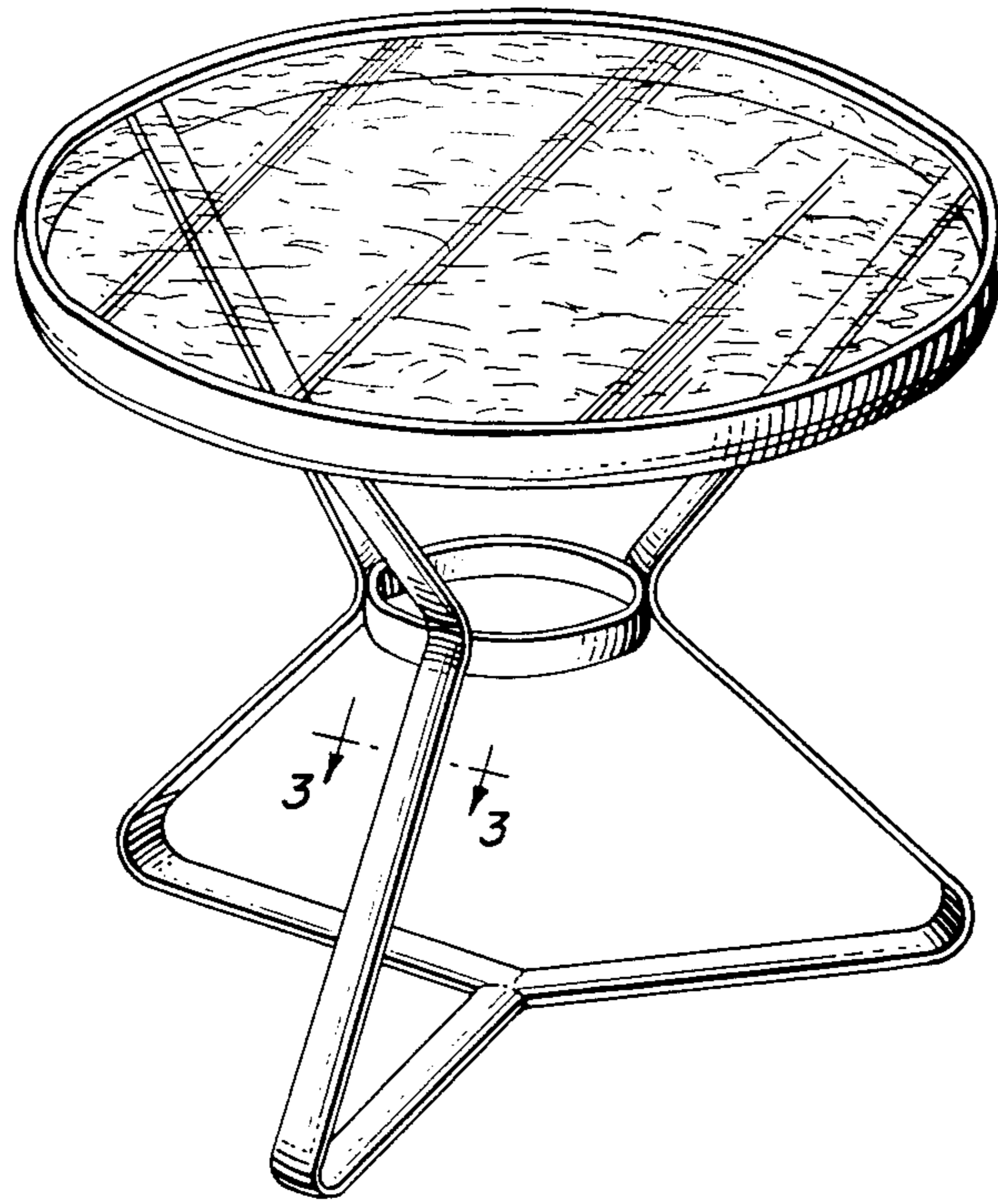


FIG. 3.



FIG. 2.

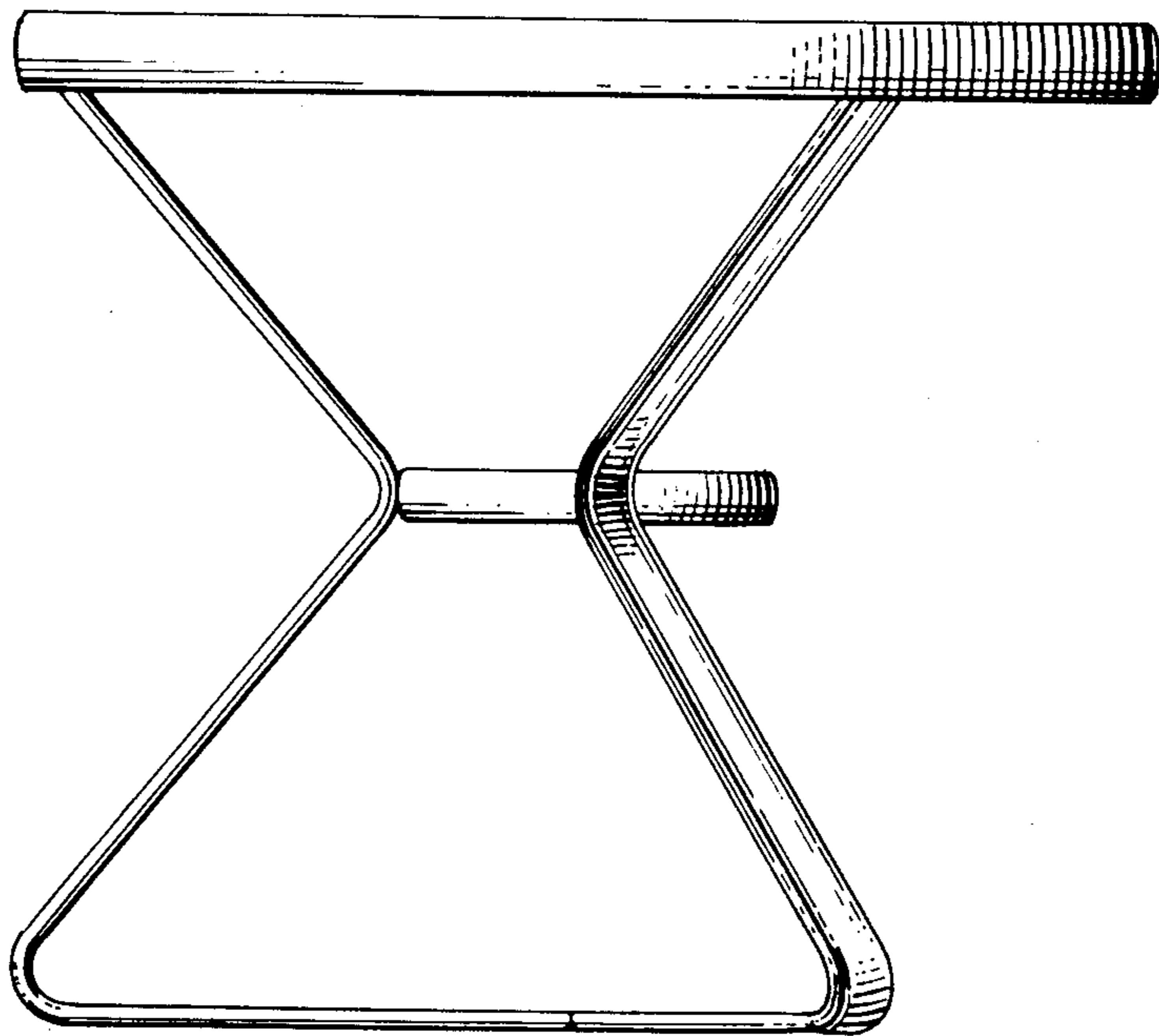


FIG. 4.

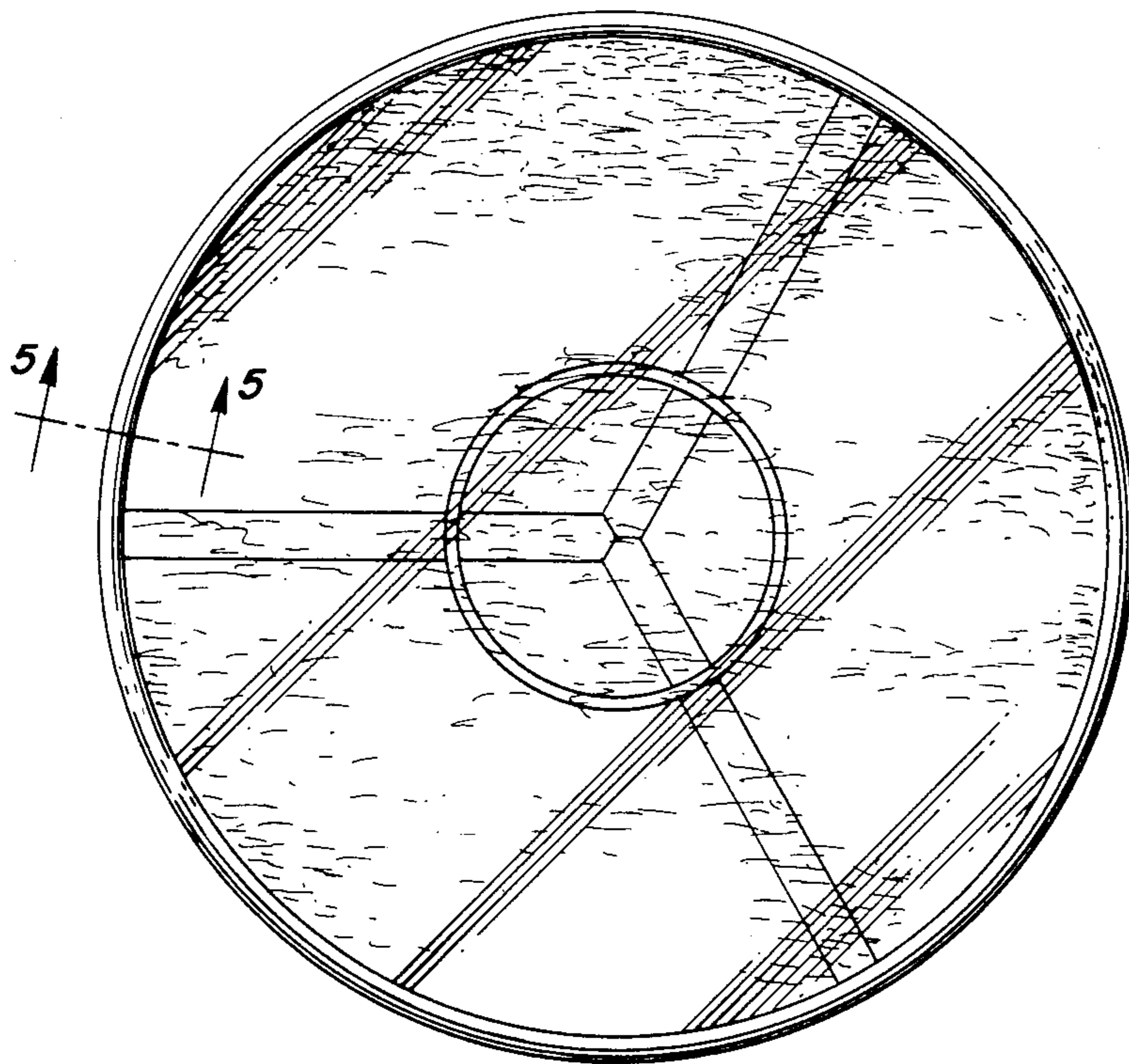


FIG. 5.

