

[54] **ARMCHAIR**

[75] Inventor: **Dorothy L. Blowers**, Los Angeles, Calif.

[73] Assignee: **Pacific Furniture Manufacturing Co.**, Compton, Calif.

[**] Term: **14 Years**

[21] Appl. No.: **4,504**

[22] Filed: **Jan. 18, 1979**

[51] Int. Cl. **D6-01**

[52] U.S. Cl. **D6/26; D6/37; D6/71**

[58] Field of Search **D6/37-39, D6/47-78, 26**

[56] **References Cited**

U.S. PATENT DOCUMENTS

D. 98,545 2/1936 Pumphrey D6/71

D. 240,783 8/1976 Zapf D6/71
D. 243,372 2/1977 Denny et al. D6/26
D. 250,302 11/1978 Harvey D6/71 X

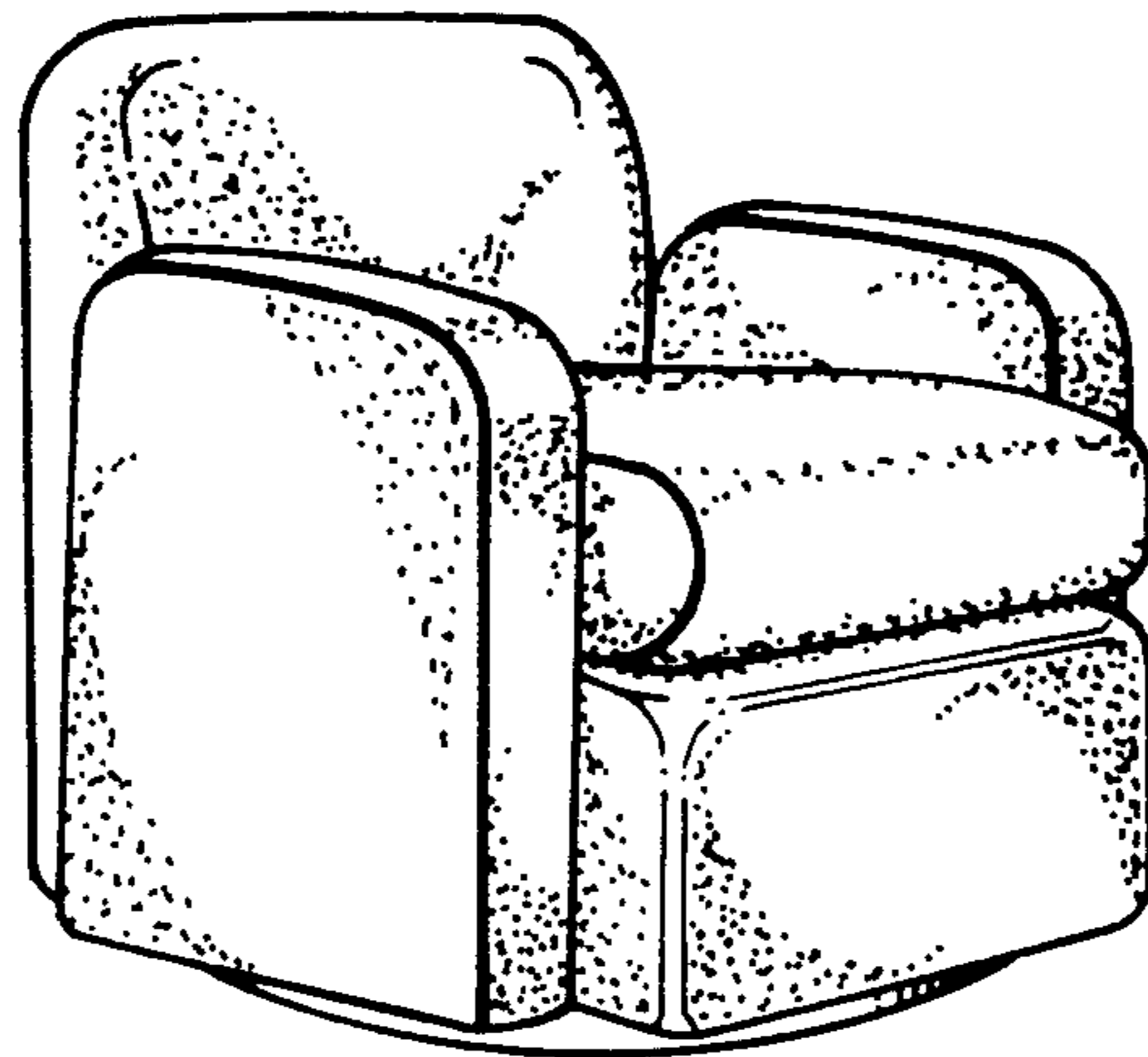
Primary Examiner—Bruce W. Dunkins
Attorney, Agent, or Firm—Nilsson, Robbins, Dalgarn, Berliner, Carson and Wurst

[57] **CLAIM**

The ornamental design for an armchair, as shown and described.

DESCRIPTION

FIG. 1 is a front perspective view of an armchair showing my design;
FIG. 2 is a rear perspective view thereof;
FIG. 3 is a front elevational view thereof;
FIG. 4 is a side elevational view thereof, the side of the armchair not shown is a mirror image of the side shown in this view;
FIG. 5 is a top plan view of a seat showing my design; and
FIG. 6 is a rear elevational view thereof.



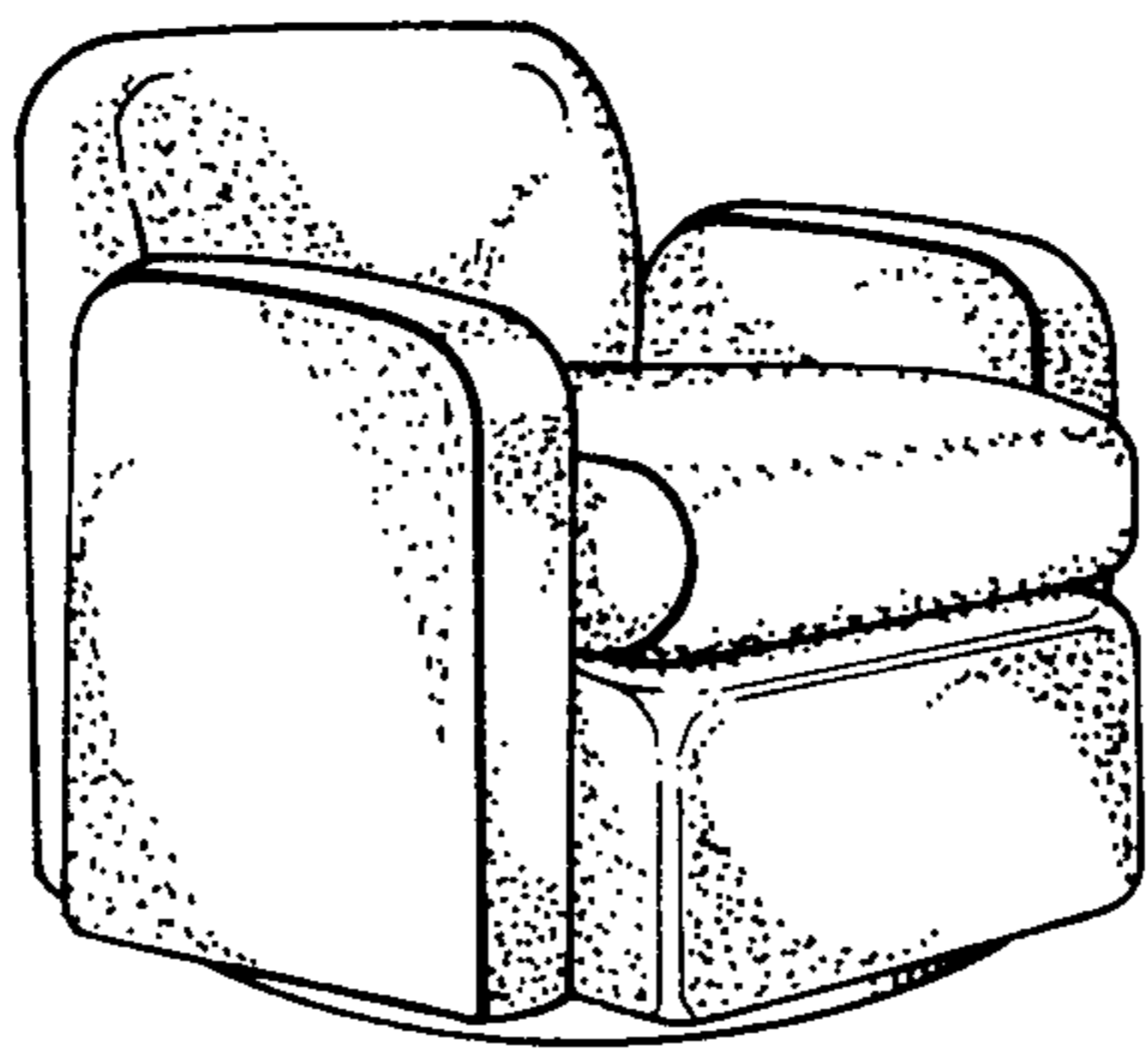


FIG. 1

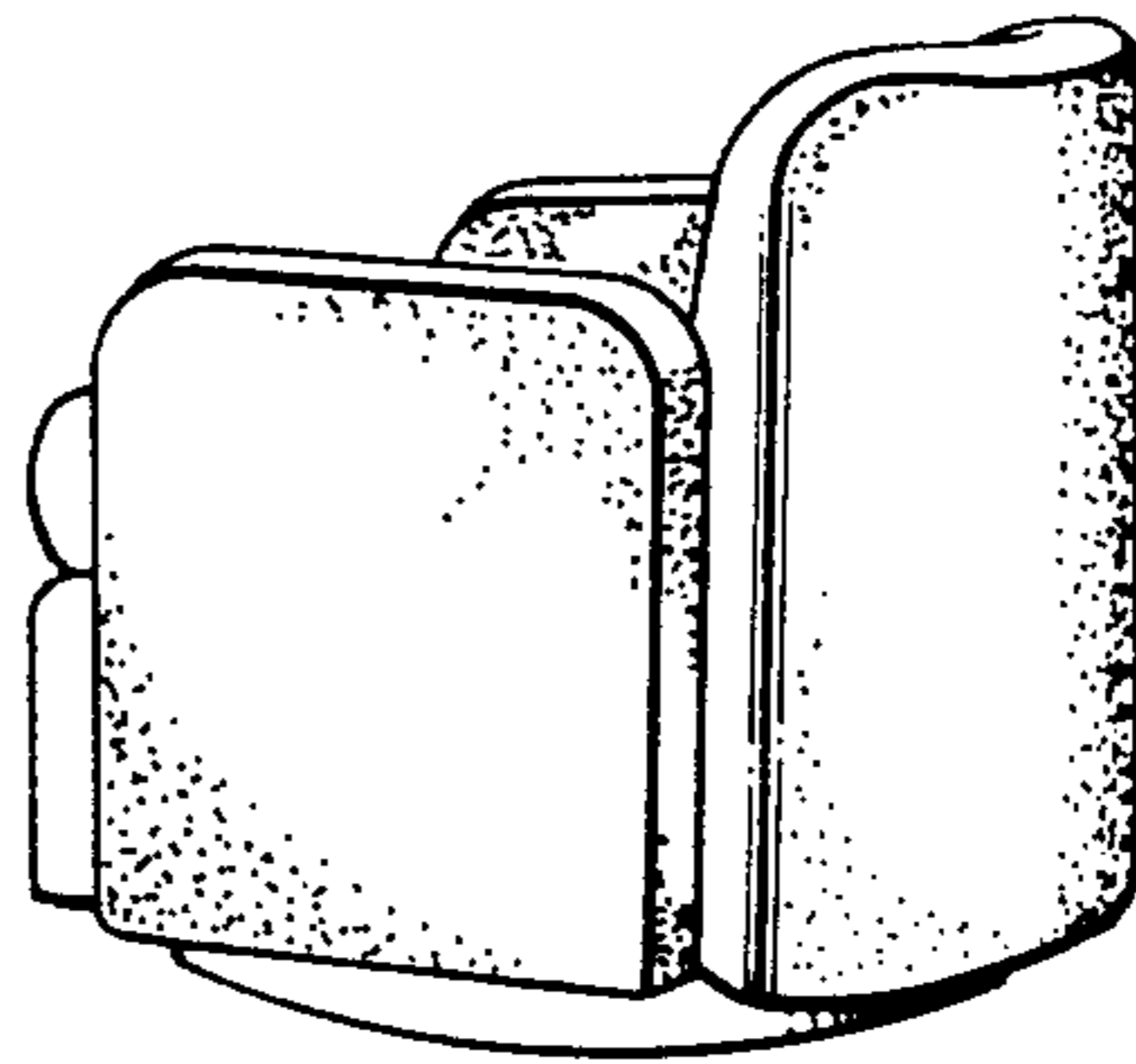


FIG. 2

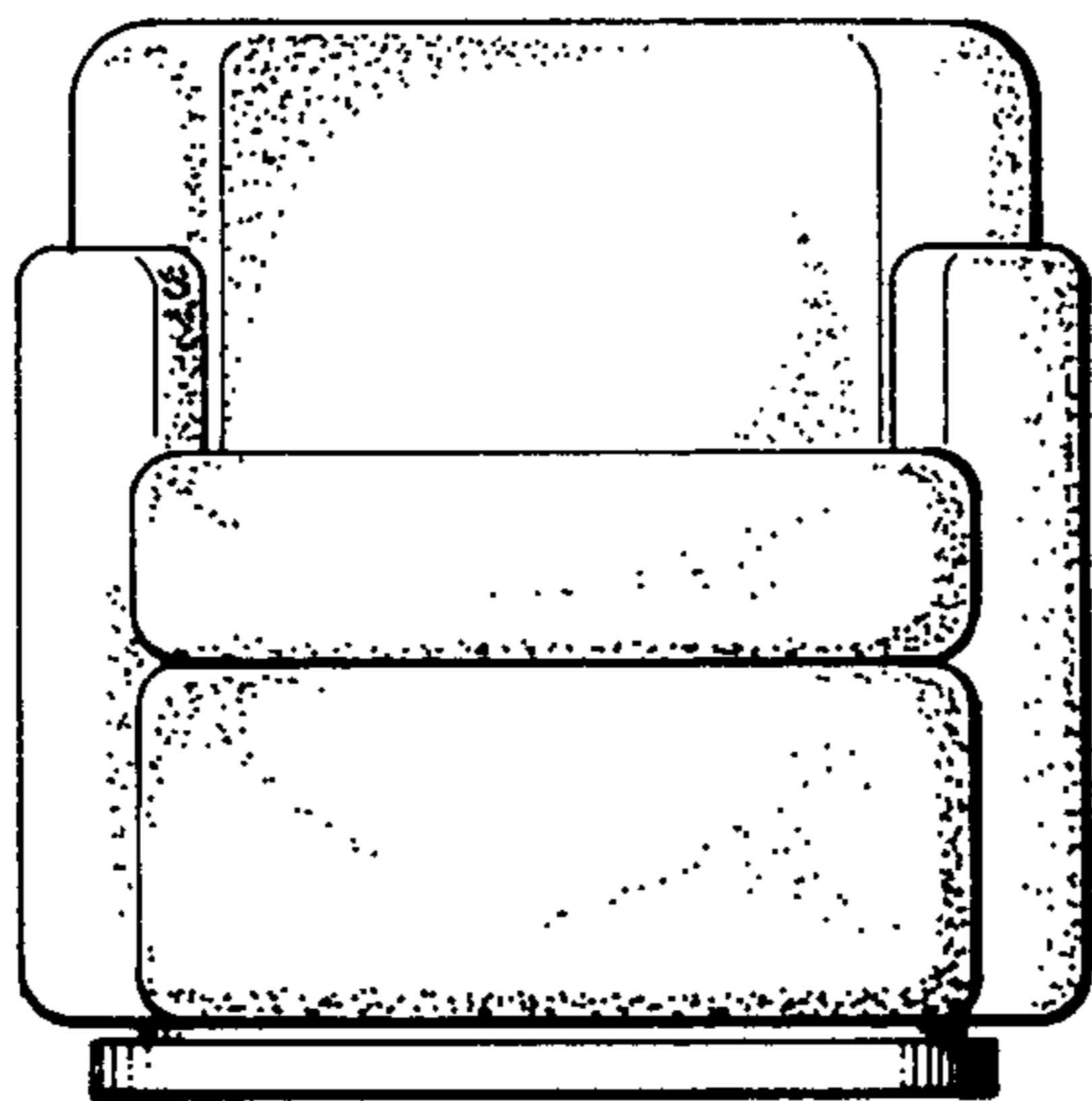


FIG. 3

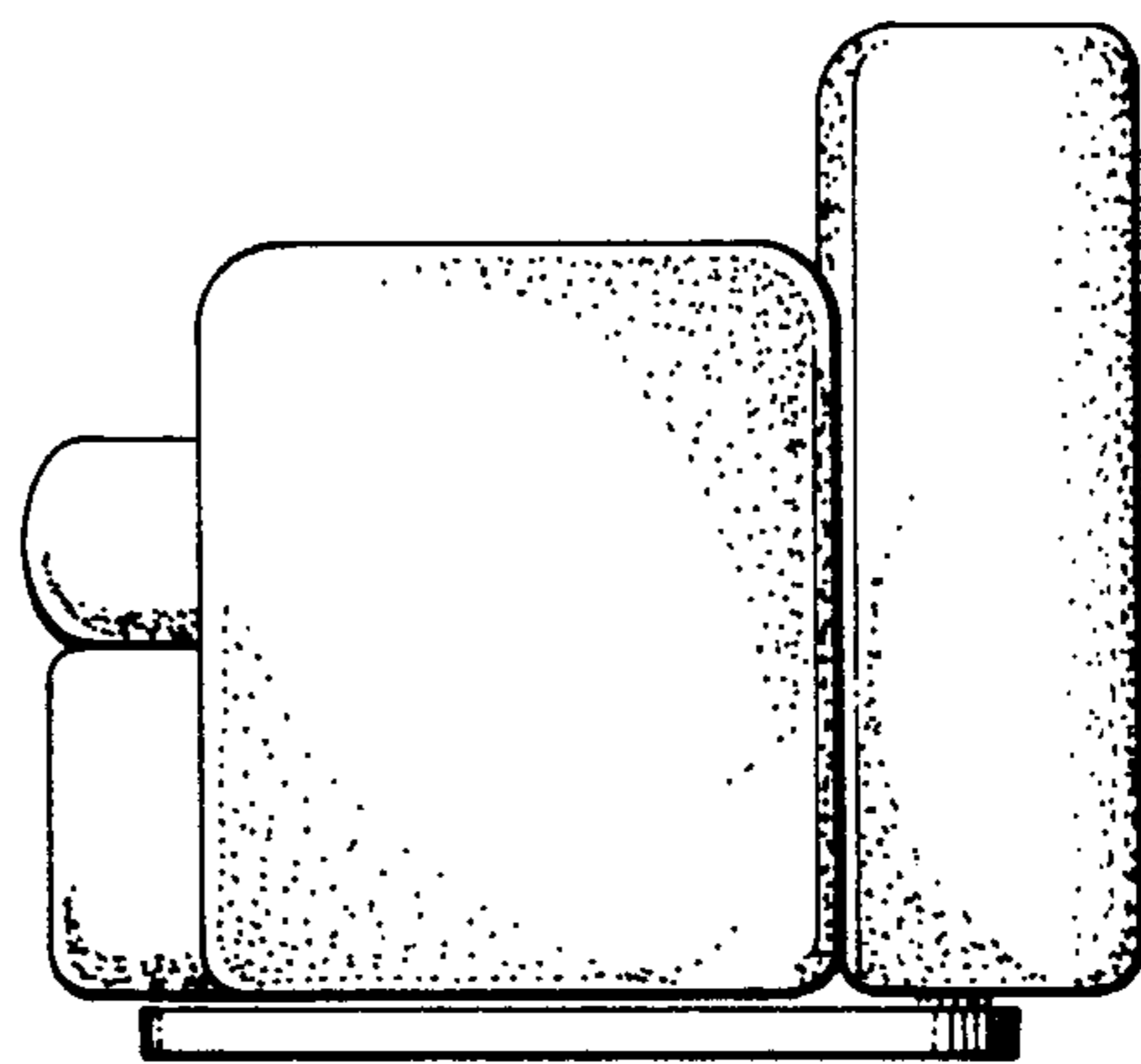


FIG. 4

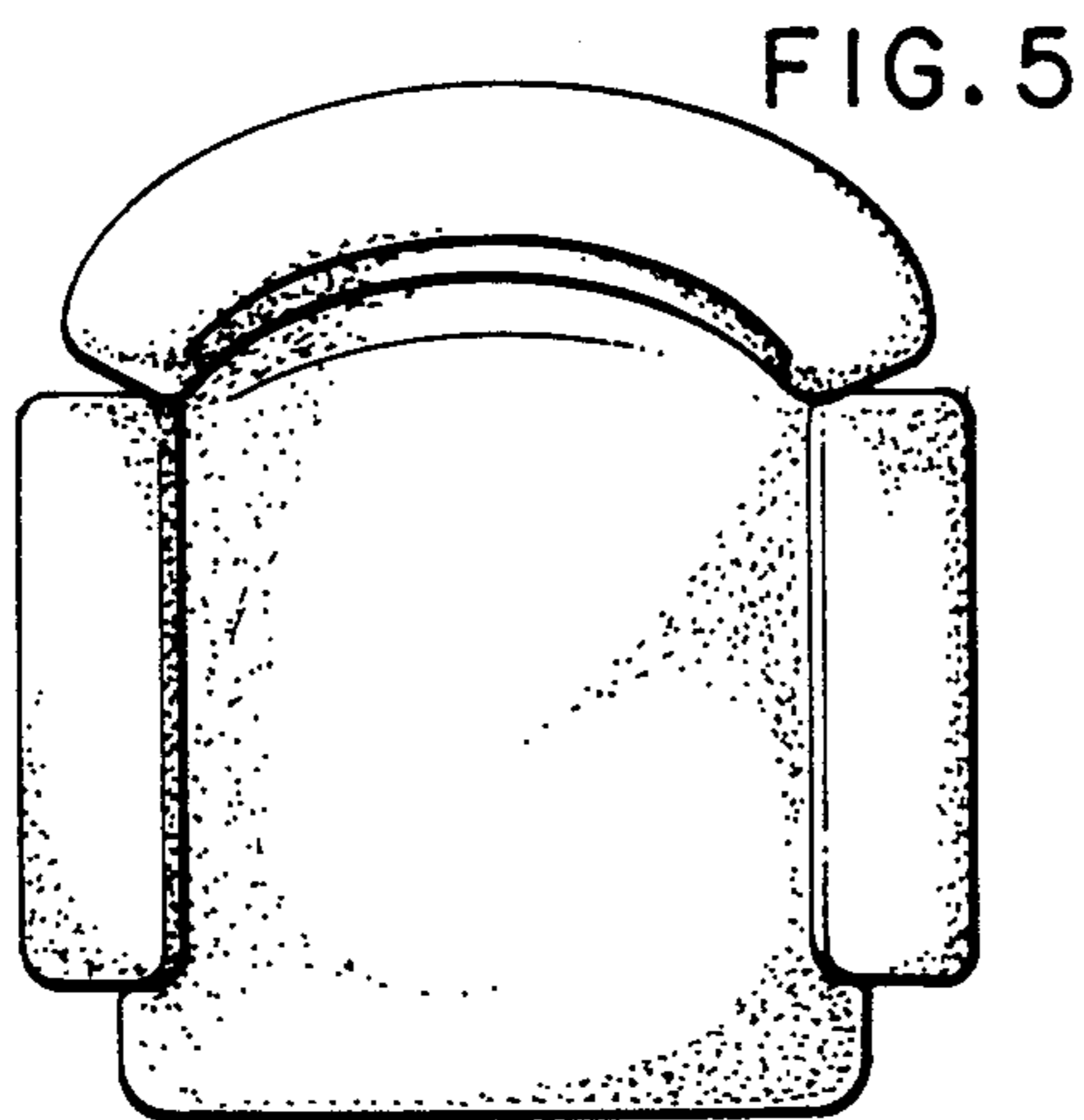


FIG. 5

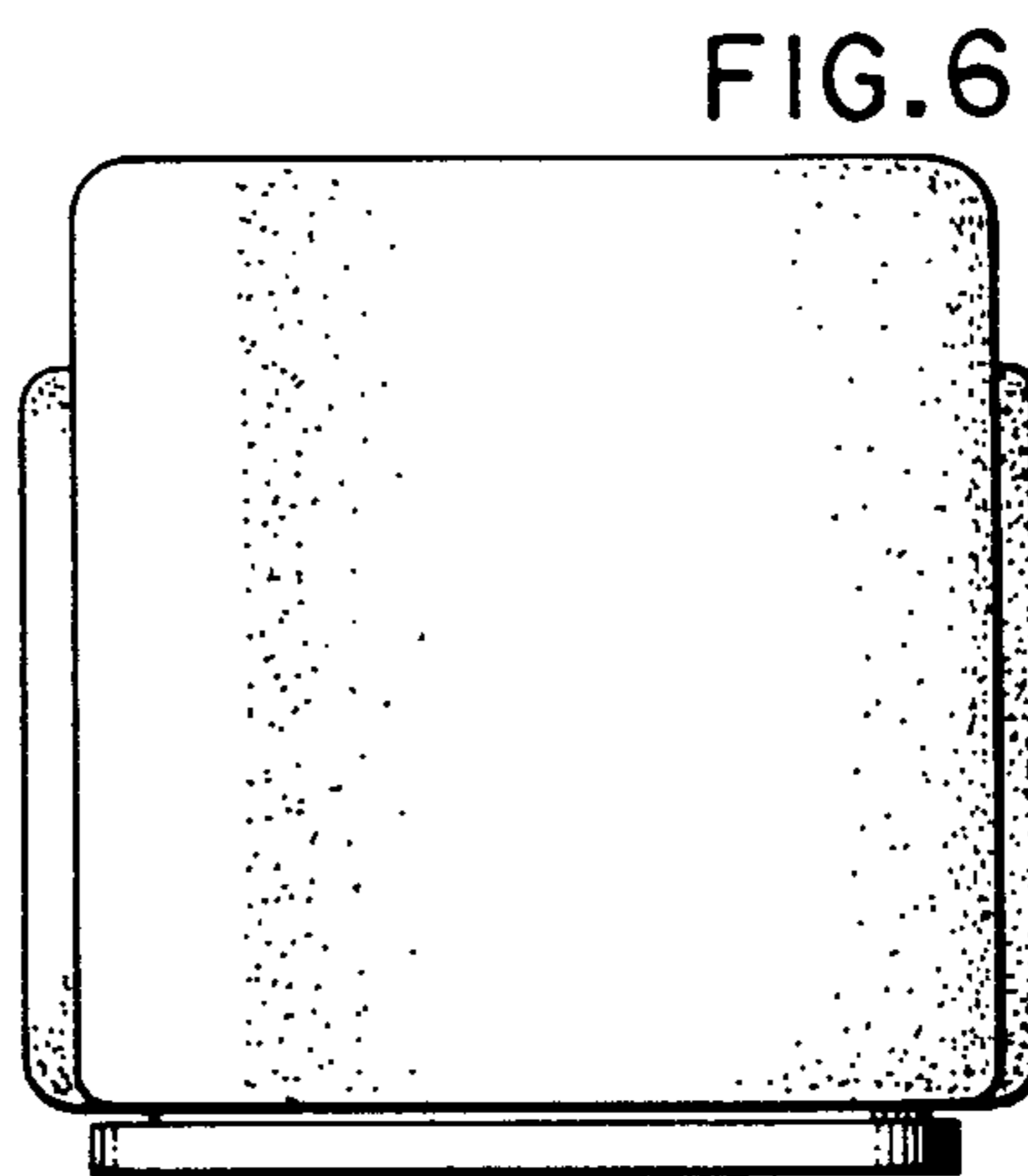


FIG. 6