

[54] **HOLDER FOR DENTAL PLAQUE
DETECTION SYSTEM**

[75] Inventor: **John Wistrand**, New Canaan, Conn.

[73] Assignee: **Clairol Incorporated**, New York,
N.Y.

[**] Term: **14 Years**

[21] Appl. No.: **47,962**

[22] Filed: **Jun. 11, 1979**

[51] Int. Cl. **D3—02**

[52] U.S. Cl. **D3/39**

[58] Field of Search **D3/30, 39, 74; D27/43,
D27/48; D9/222, 193; D24/10, 15; 206/83,
45.34, 45.19, 569, 581, 367, 368**

[56]

References Cited

U.S. PATENT DOCUMENTS

| | | | |
|------------|---------|-------------------|-----------|
| D. 154,255 | 6/1949 | England | D4/18 |
| D. 180,338 | 5/1957 | Pavelle | D9/222 |
| D. 220,996 | 6/1971 | Irons et al. | D9/193 |
| 3,612,335 | 10/1971 | Schurman | 206/45.34 |
| 4,032,006 | 6/1977 | Cantarella | 206/45.19 |

Primary Examiner—George P. Word

Attorney, Agent, or Firm—Gerald S. Rosen; George A. Mentis

[57]

CLAIM

The ornamental design for a holder for dental plaque detection system, as shown and described.

DESCRIPTION

FIG. 1 is a front perspective view of a holder for dental plaque detection system showing my new design;

FIG. 2 is a top plan view thereof;

FIG. 3 is a bottom plan view thereof;

FIG. 4 is a side elevational view thereof; and

FIG. 5 is a rear elevational view thereof.

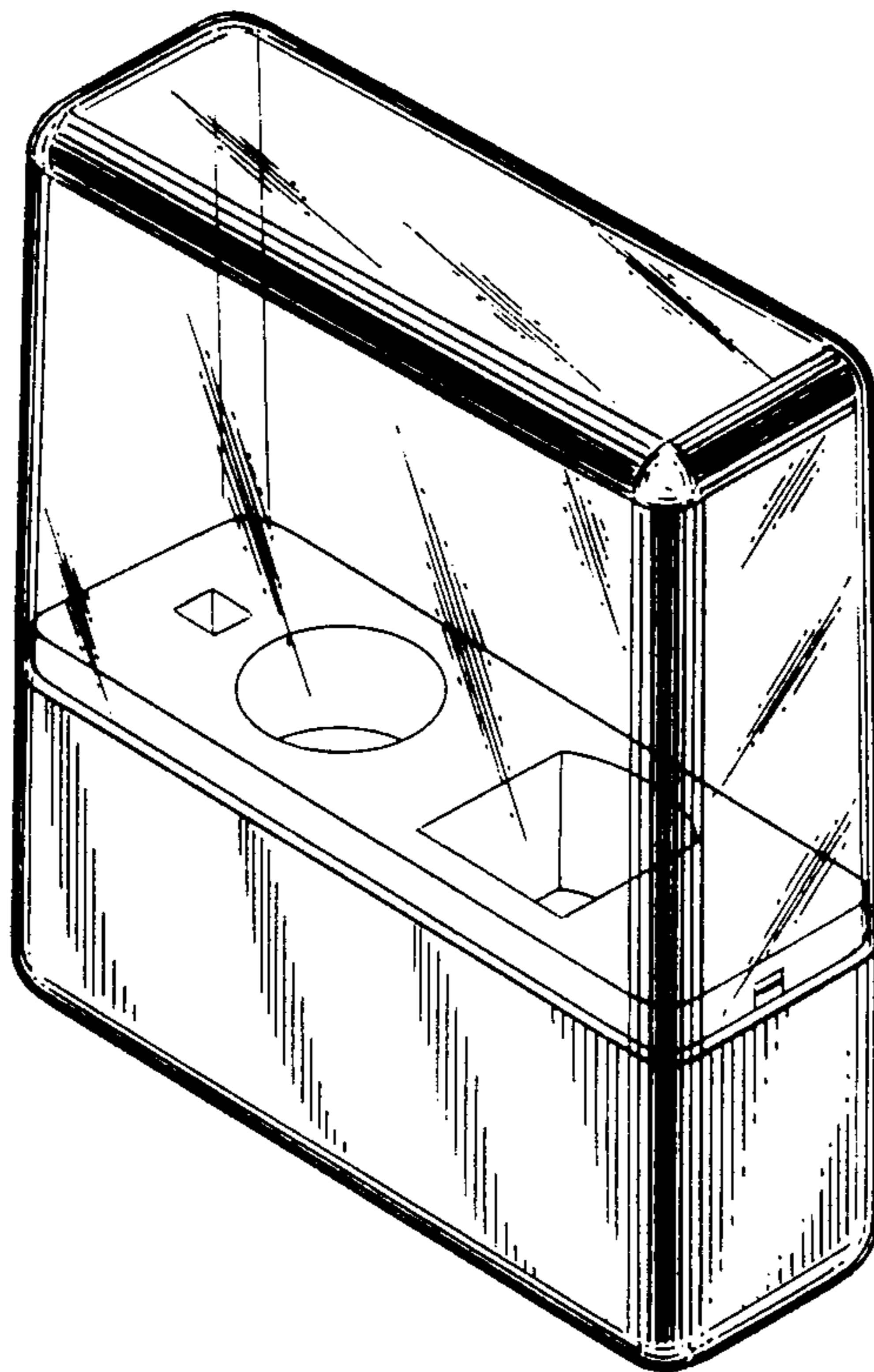


FIG. 1

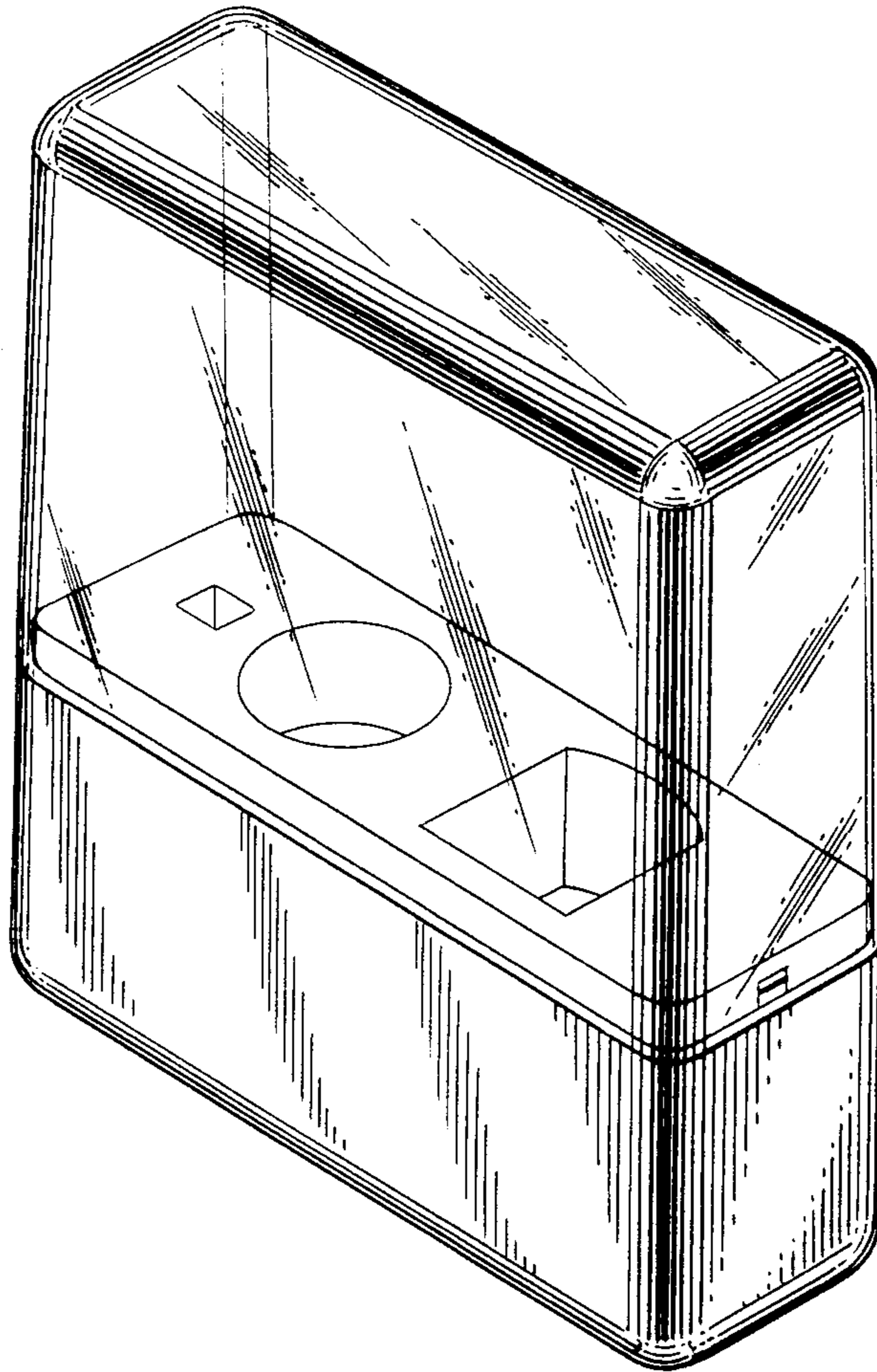


FIG. 2

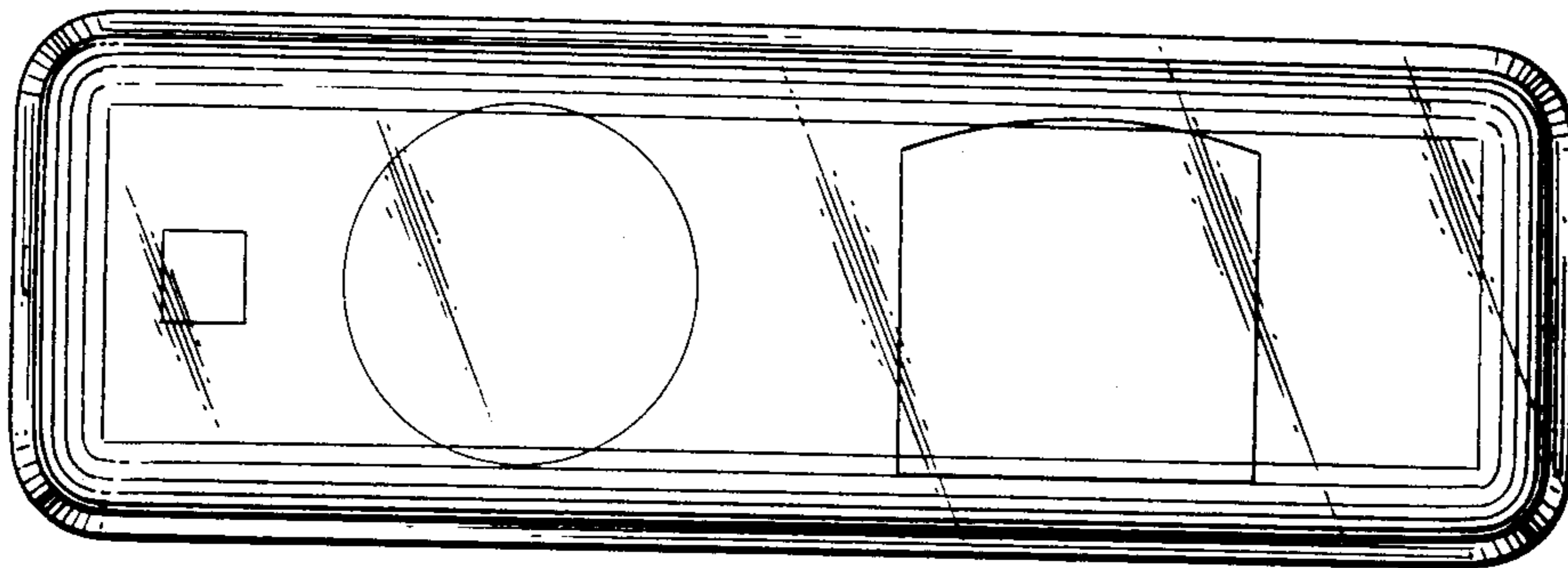


FIG. 3

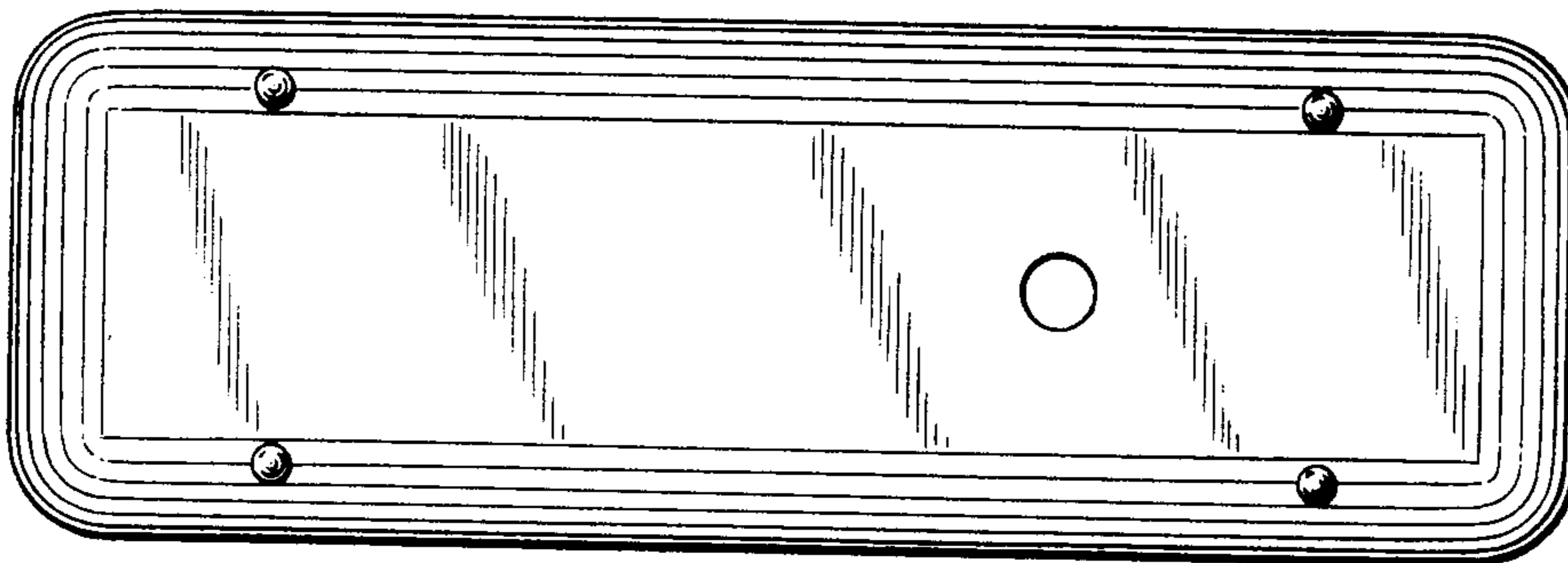


FIG. 5

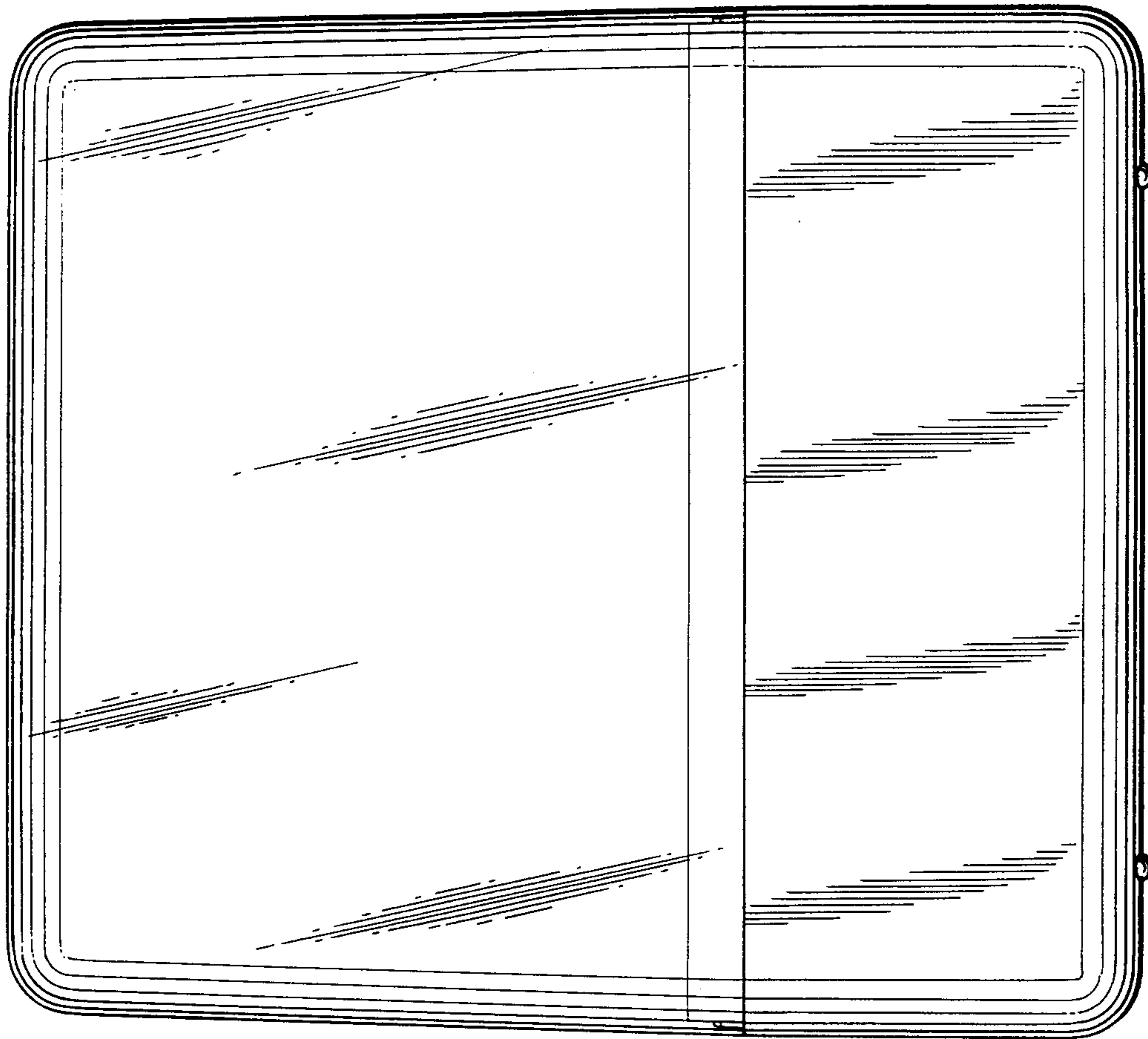


FIG. 4

