

[54] **PORTABLE CONCRETE FENCE SUPPORT**
 [76] Inventor: **Harold D. Koch**, Star Rte. 2, Box 15,
 Gann Valley, S. Dak. 57341
 [**] Term: **14 Years**
 [21] Appl. No.: **958,151**
 [22] Filed: **Nov. 6, 1978**
 [51] Int. Cl. **D25-02**
 [52] U.S. Cl. **D25/38**
 [58] Field of Search 256/1, 13.1, 19, 24,
 256/73, 64; 52/372; 264/55; D25/38, 77, 78, 98

2,785,876 3/1957 McKenzie 256/19
 3,057,601 10/1962 Simpson 256/64
 3,194,537 7/1965 Gerin 256/13.1
 3,348,813 10/1967 Hazelett, Jr. 256/19
 3,361,273 1/1968 Bintzer 256/19 X
 3,614,068 10/1971 Koehl 256/19
 4,040,759 8/1977 Skalle 256/1 X
 4,059,356 11/1977 Smith 256/13.1 X

Primary Examiner—A. Hugo Word
 Attorney, Agent, or Firm—Donald R. Sjostrom

[57] **CLAIM**

The ornamental design for a portable concrete fence support, substantially as shown and described.

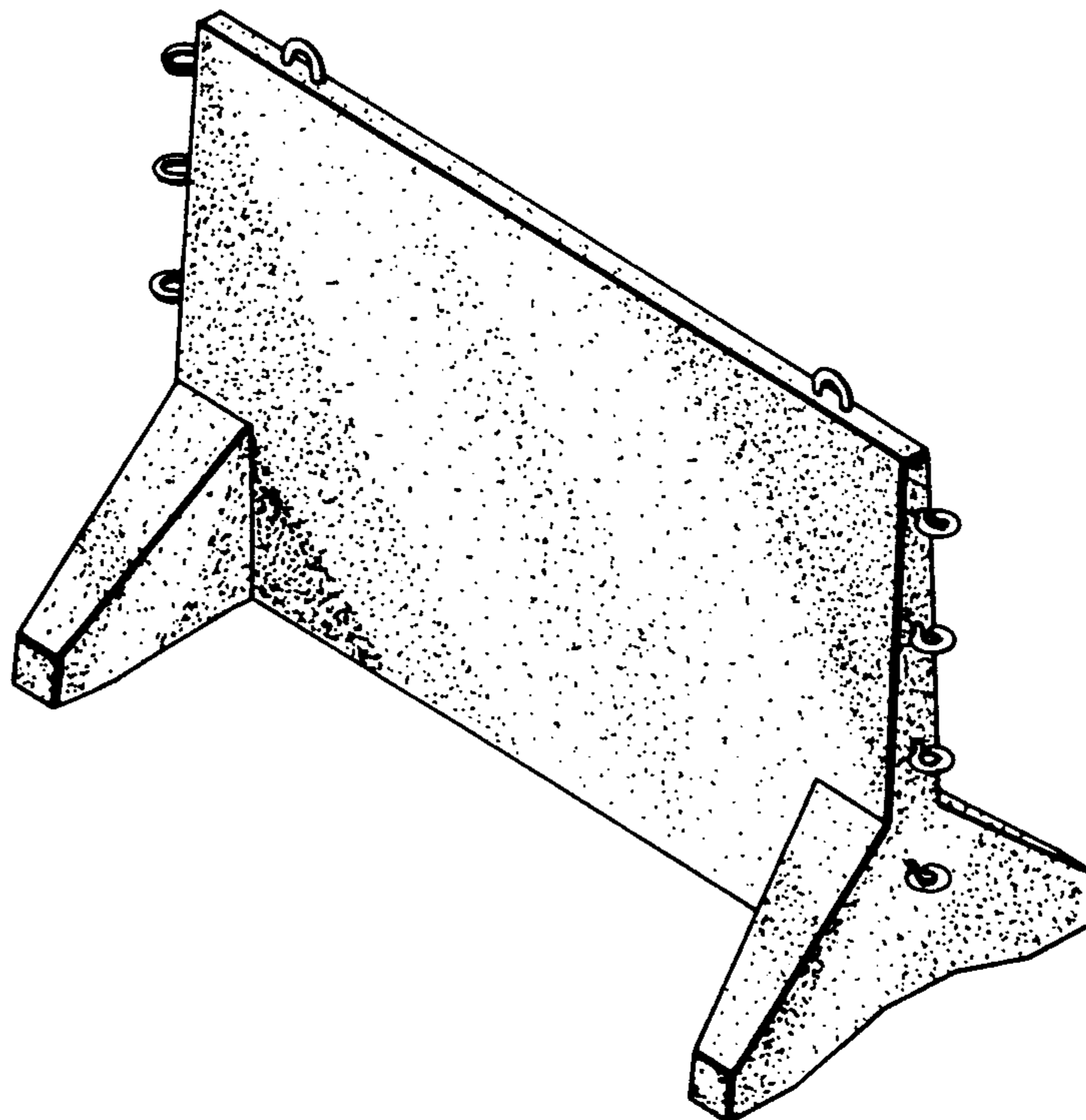
DESCRIPTION

FIG. 1 is a view in perspective as seen from one side, top and one end of a portable concrete fence support showing my new design;
 FIG. 2 is a view in top plan thereof;
 FIG. 3 is a view in bottom plan thereof;
 FIG. 4 is a view in side elevation as seen from the side opposite that shown in FIG. 1; and
 FIG. 5 is a view in end elevation as seen from the end opposite that shown in FIG. 1.

[56] **References Cited**

U.S. PATENT DOCUMENTS

228,896	6/1880	Henry	256/19
800,427	9/1905	Clough	52/372
817,282	4/1906	Stewart	256/19
1,012,868	12/1911	Laney	256/19
1,202,298	10/1916	Loser	264/55
1,293,138	2/1919	McArthur	256/19
1,503,902	8/1924	Jones	256/19
2,695,159	11/1954	Bridwell	256/19



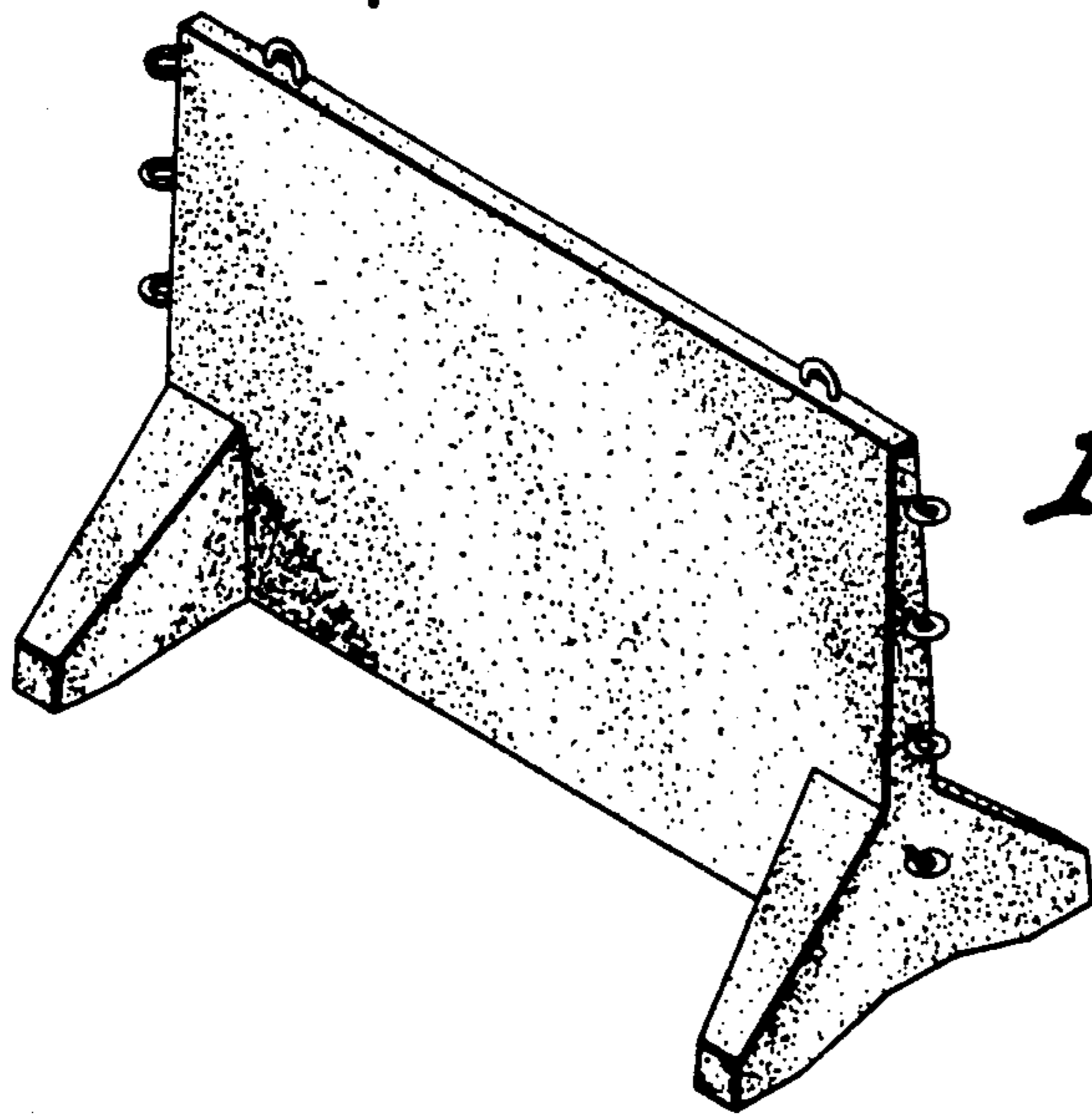


Fig. 1



Fig. 2

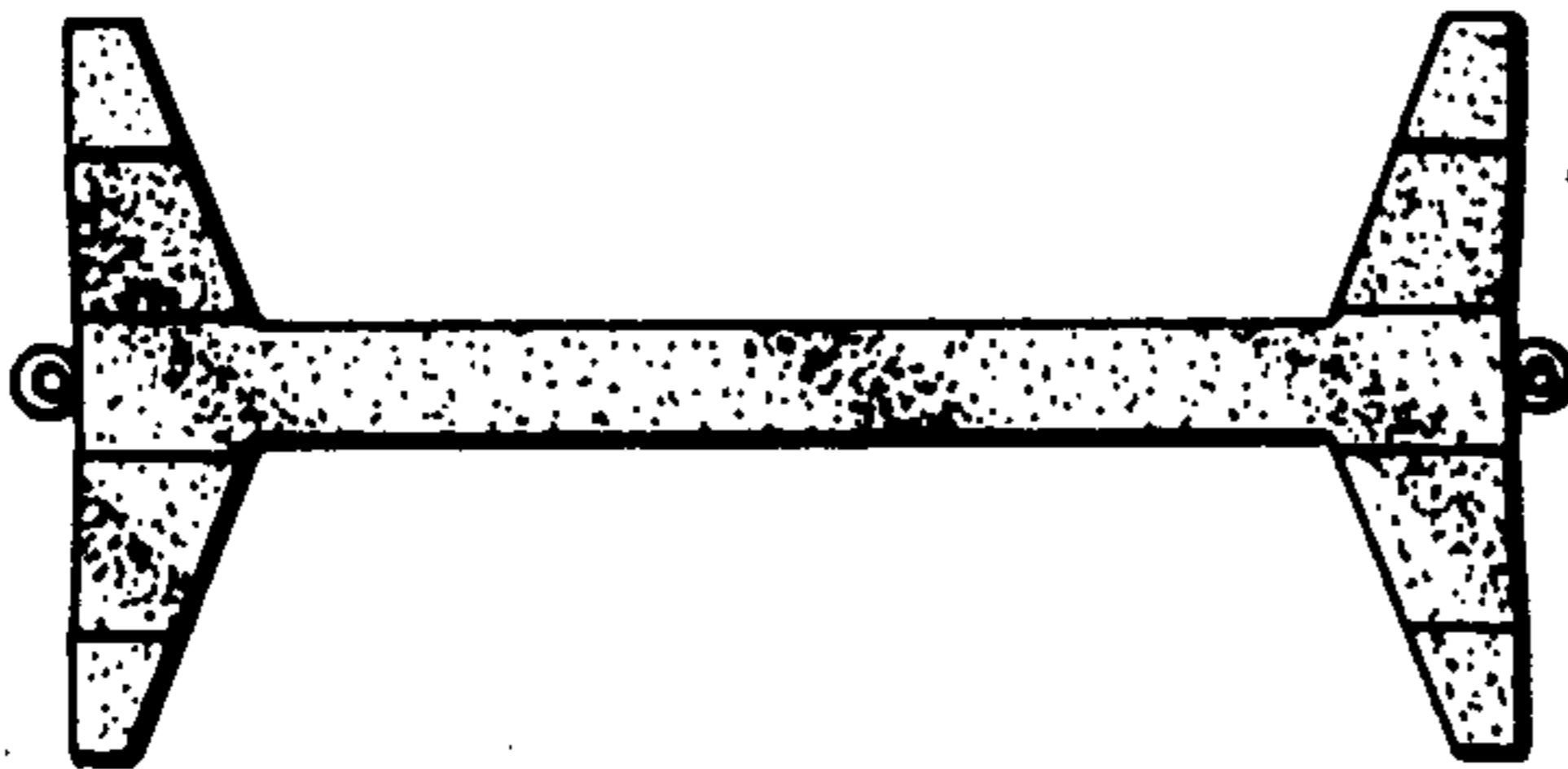


Fig. 3

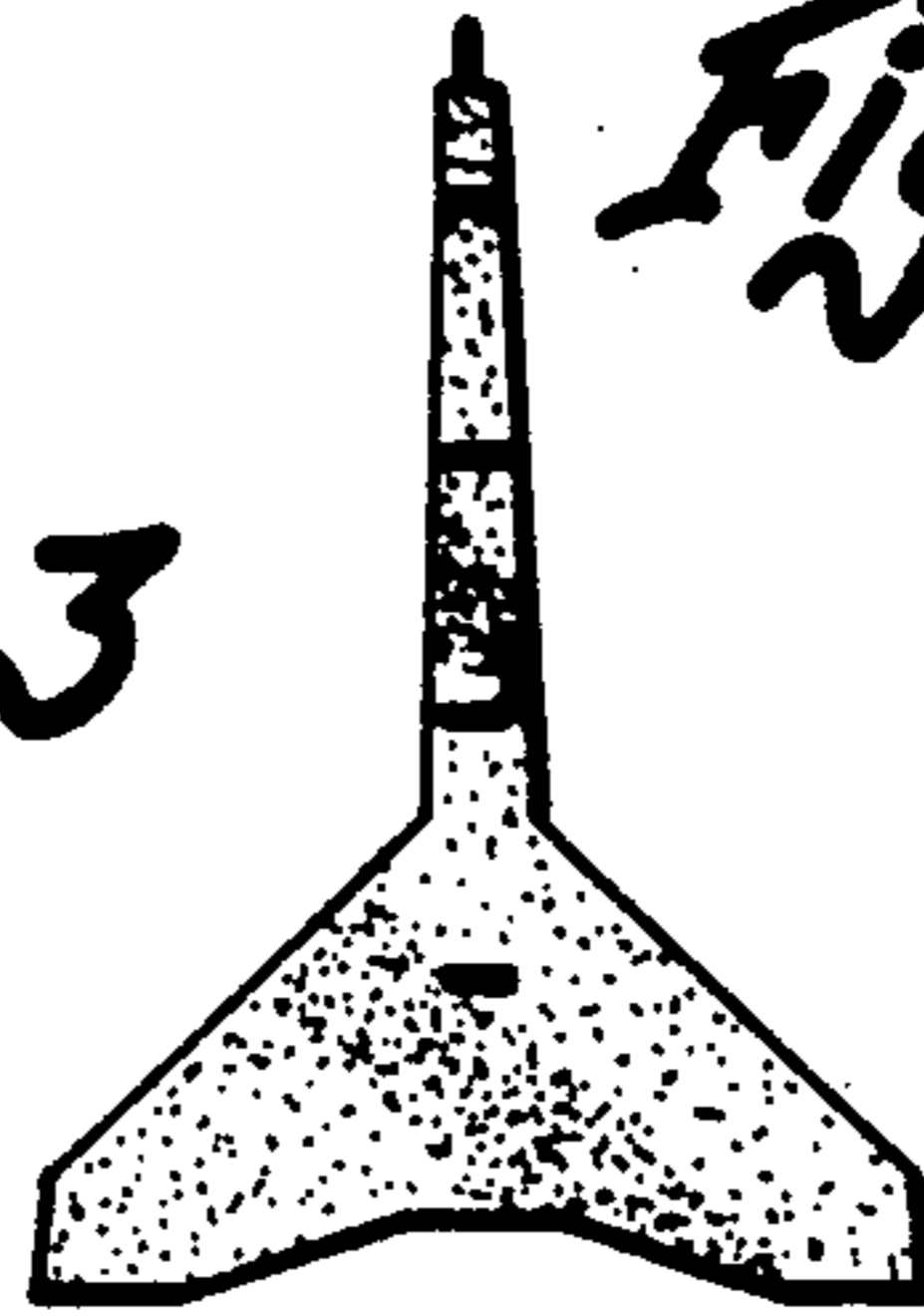


Fig. 5

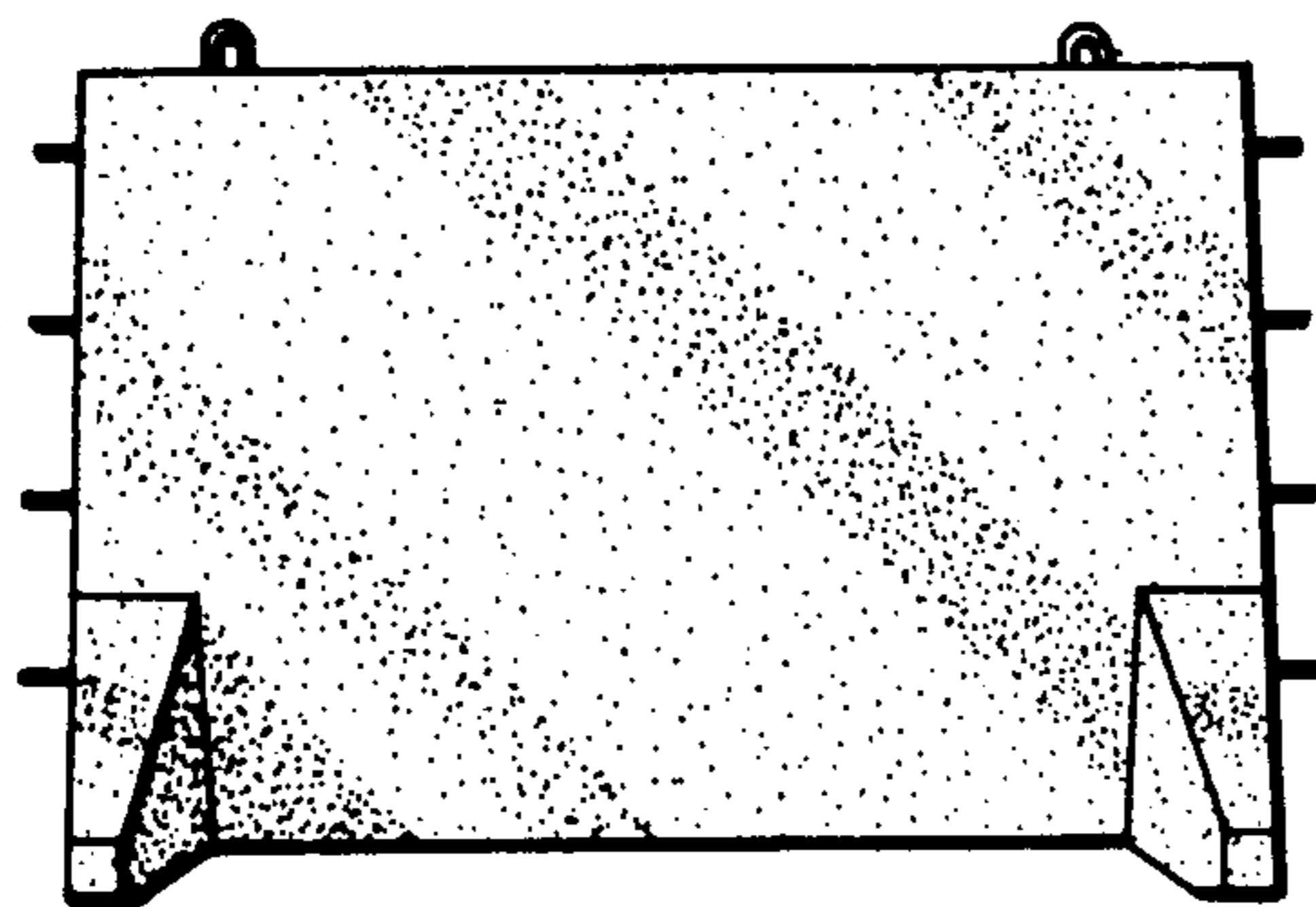


Fig. 4