

[54] **ELECTRIC DENTAL MATERIAL MIXER**
[76] Inventor: **Don D. Porteous**, 2794 Moraga Dr.,
Los Angeles, Calif. 90024

[**] Term: **14 Years**

[21] Appl. No.: **887,520**

[22] Filed: **Mar. 17, 1978**

[51] Int. Cl. **D24-99**

[52] U.S. Cl. **D24/22; D24/10;**
D7/154

[58] Field of Search **D24/4, 8, 10, 22, 31;**
D7/153, 154; 366/602; 433/25, 77, 103

[56] **References Cited**

U.S. PATENT DOCUMENTS

D. 222,803 1/1972 Posca D24/10

D. 242,208 11/1976 Madl D7/154
D. 244,379 5/1977 Moon D24/10
3,610,586 5/1971 Price et al. 366/602

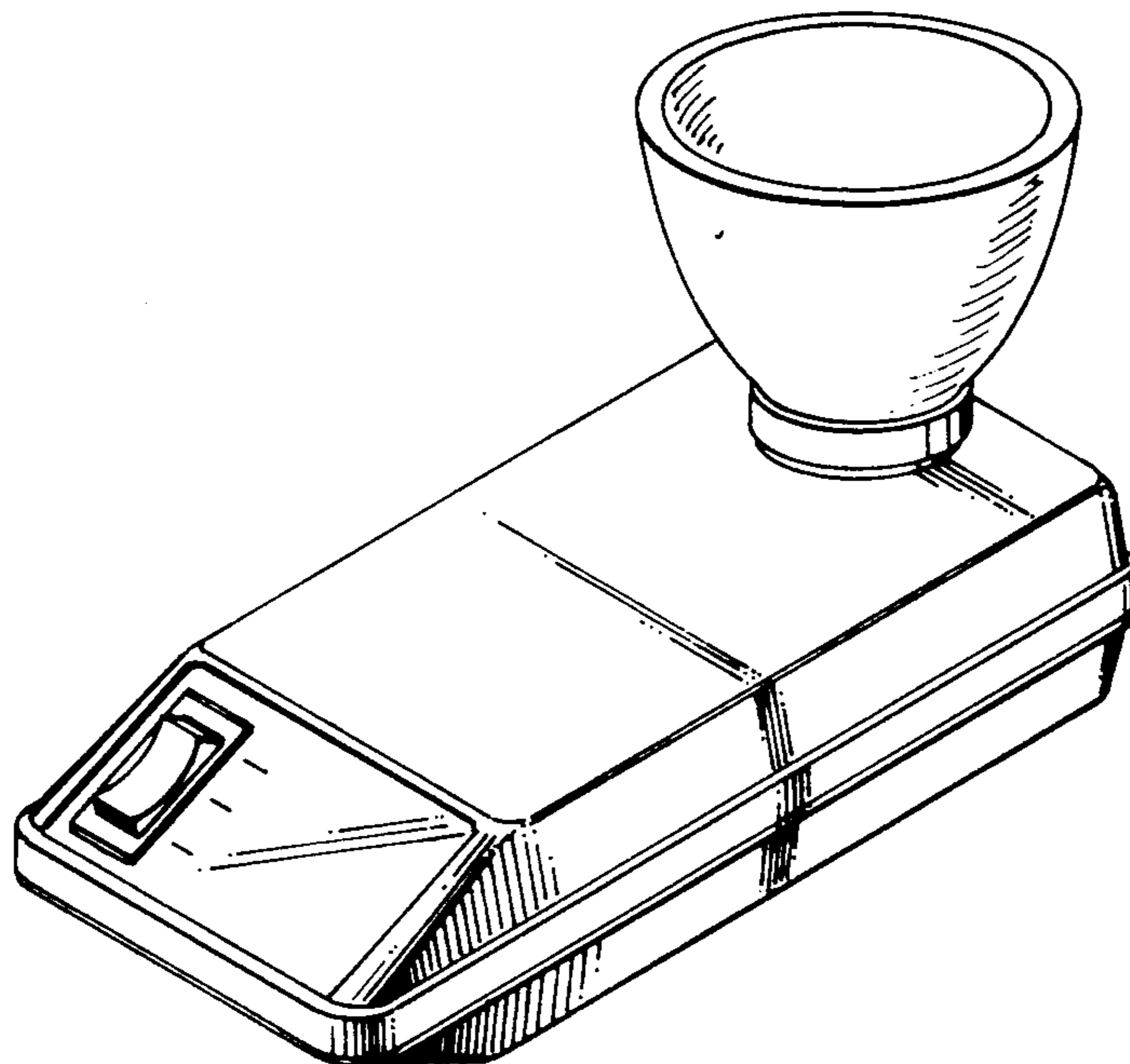
Primary Examiner—W. Stallard
Attorney, Agent, or Firm—Donald Diamond

[57] **CLAIM**

The ornamental design for an electric dental material mixer, substantially as shown.

DESCRIPTION

FIG. 1 is an oblique, right-front, perspective view of an electric dental material mixer showing my new design; FIG. 2 is a left side elevational view thereof with the opposite side being substantially the same; FIG. 3 is a front elevational view thereof; FIG. 4 is a rear elevational view thereof; and FIG. 5 is a bottom plan view thereof.



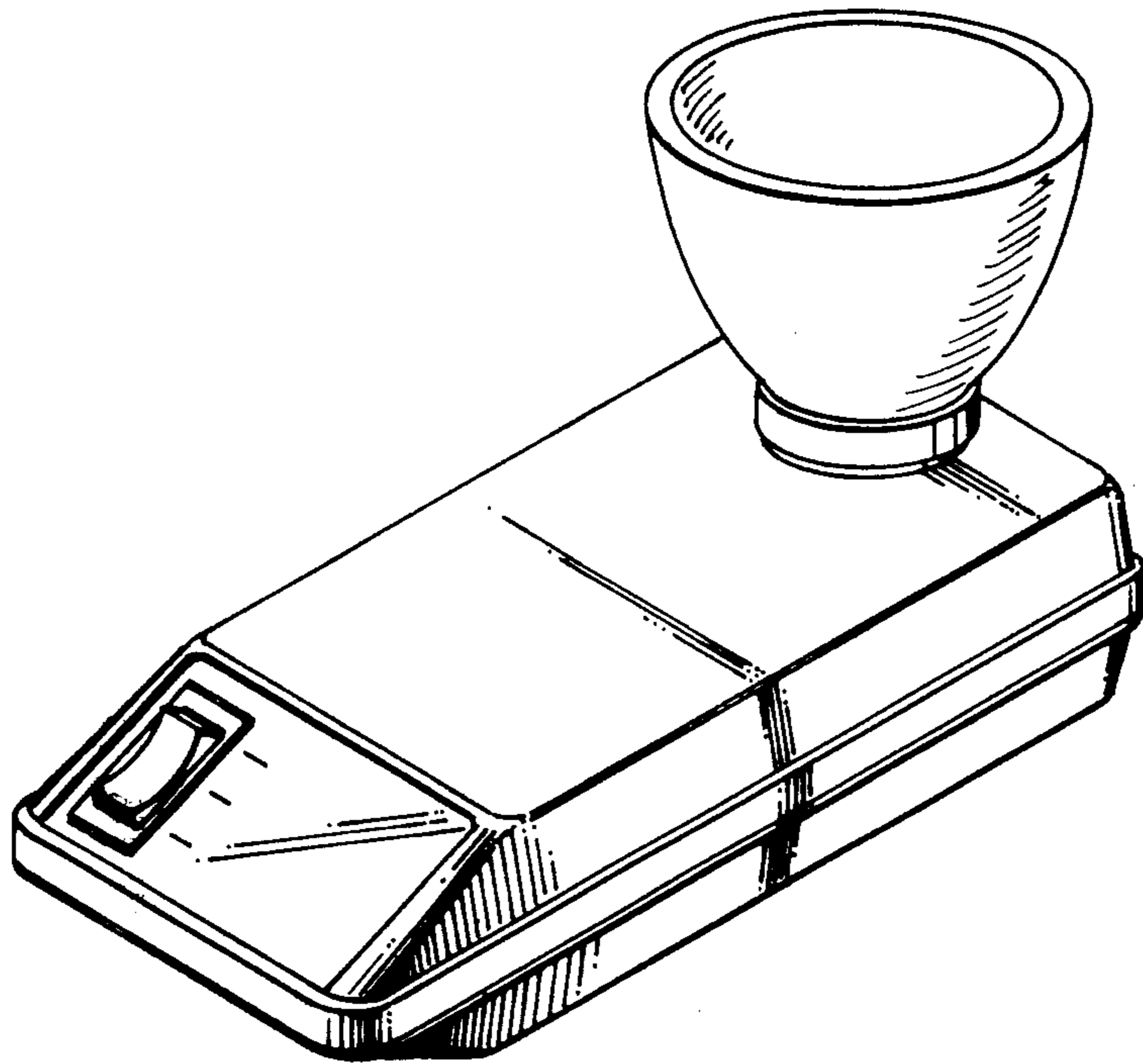


Fig. 1

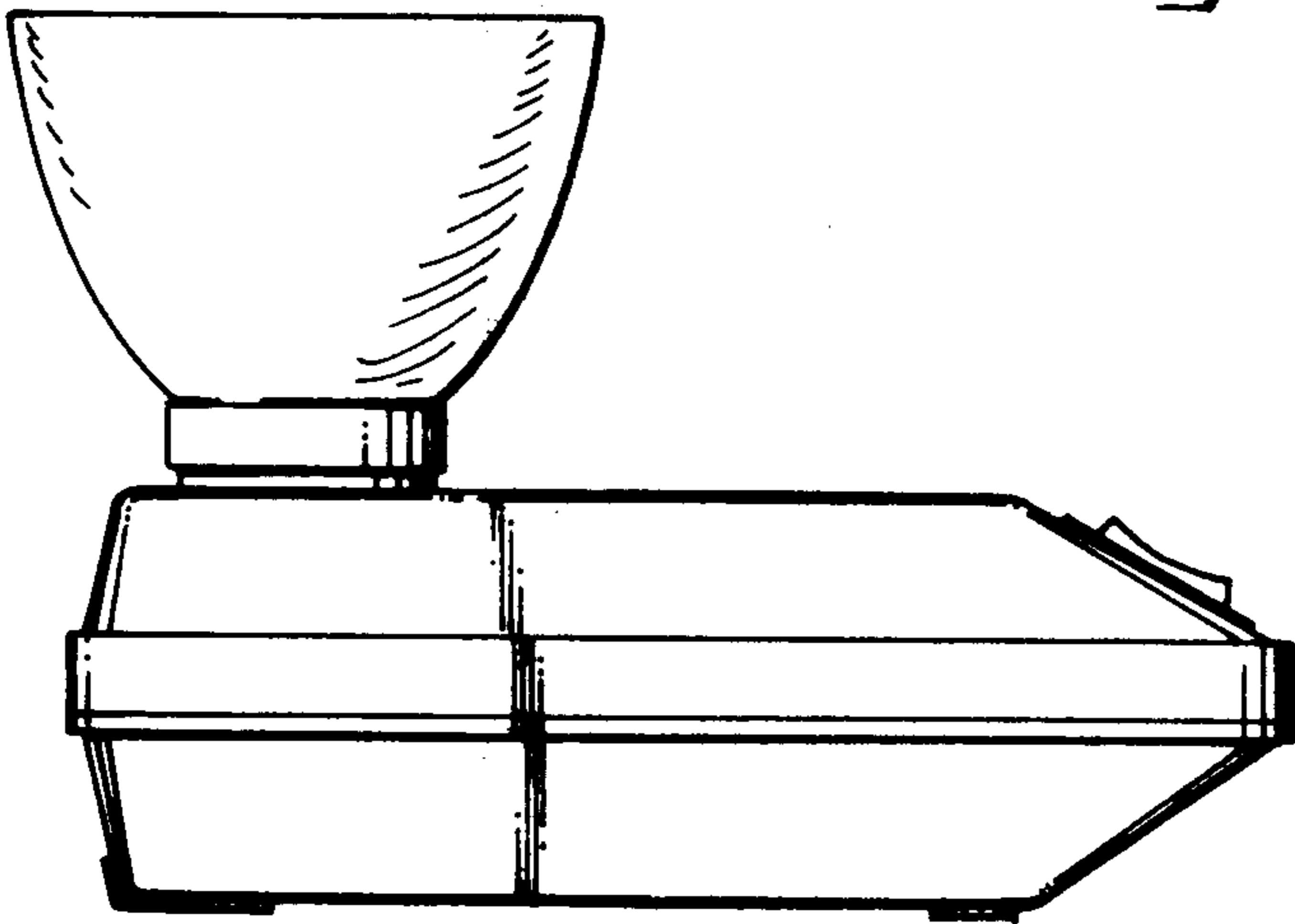


Fig. 2

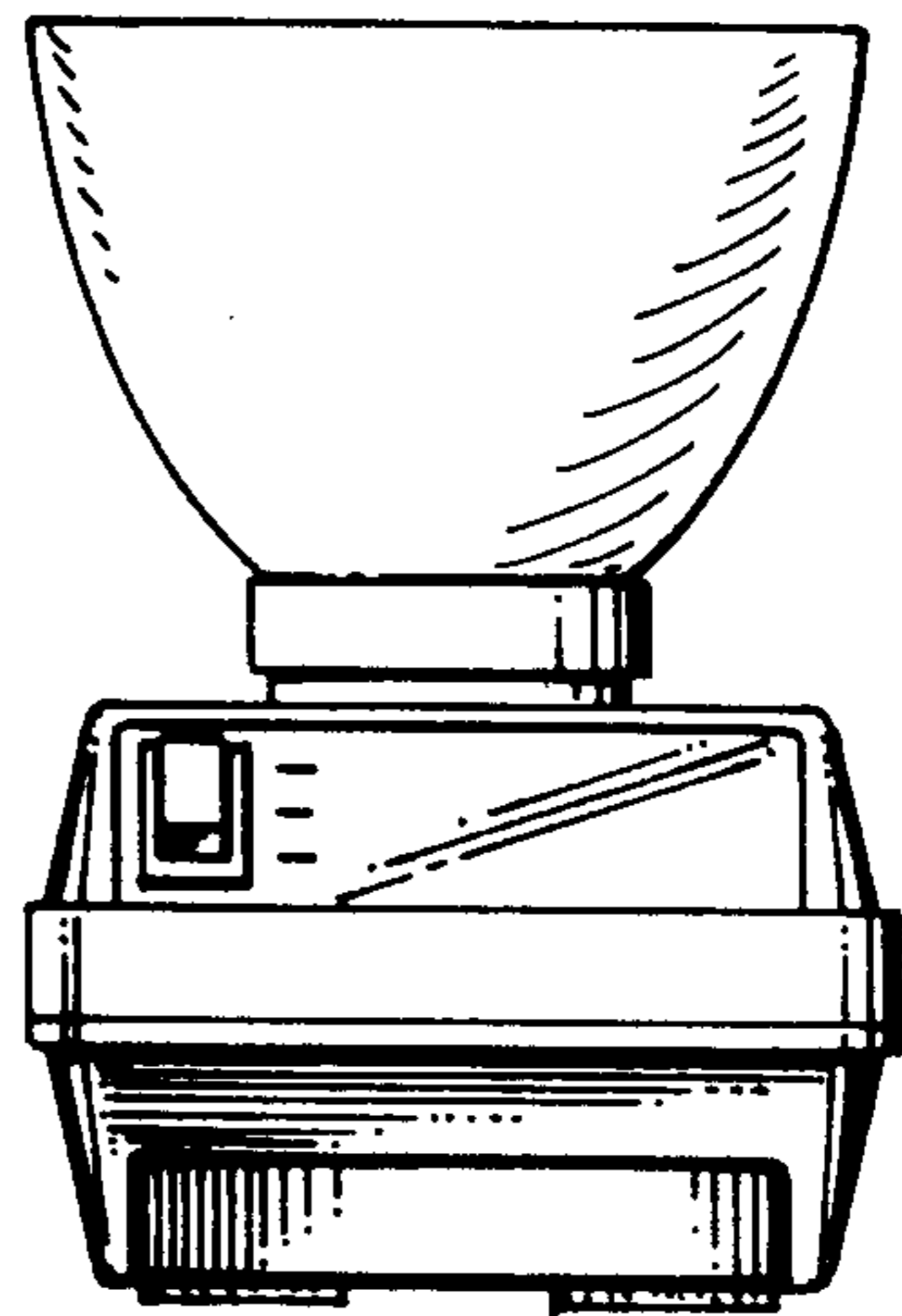


Fig. 3

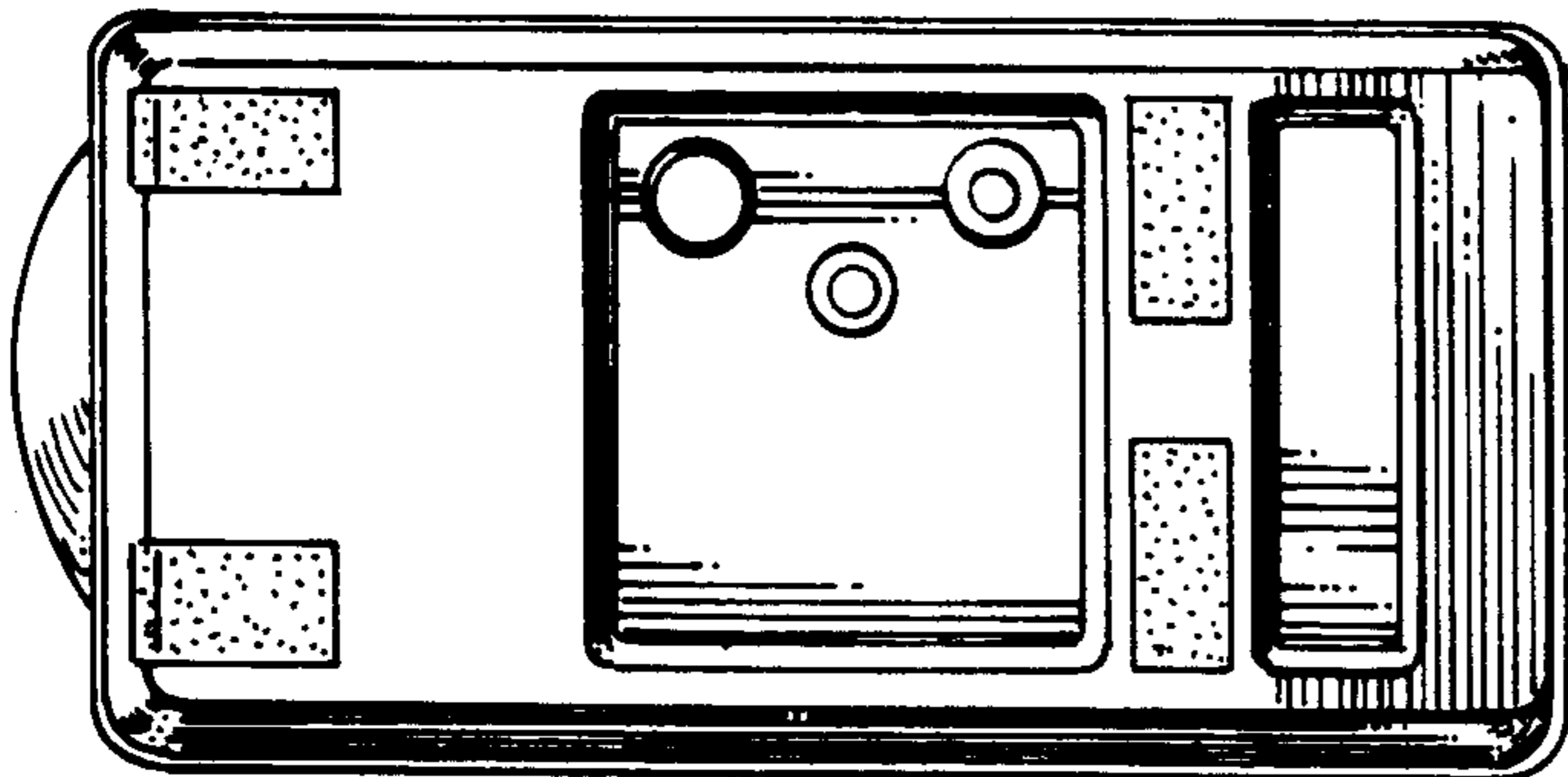


Fig. 5

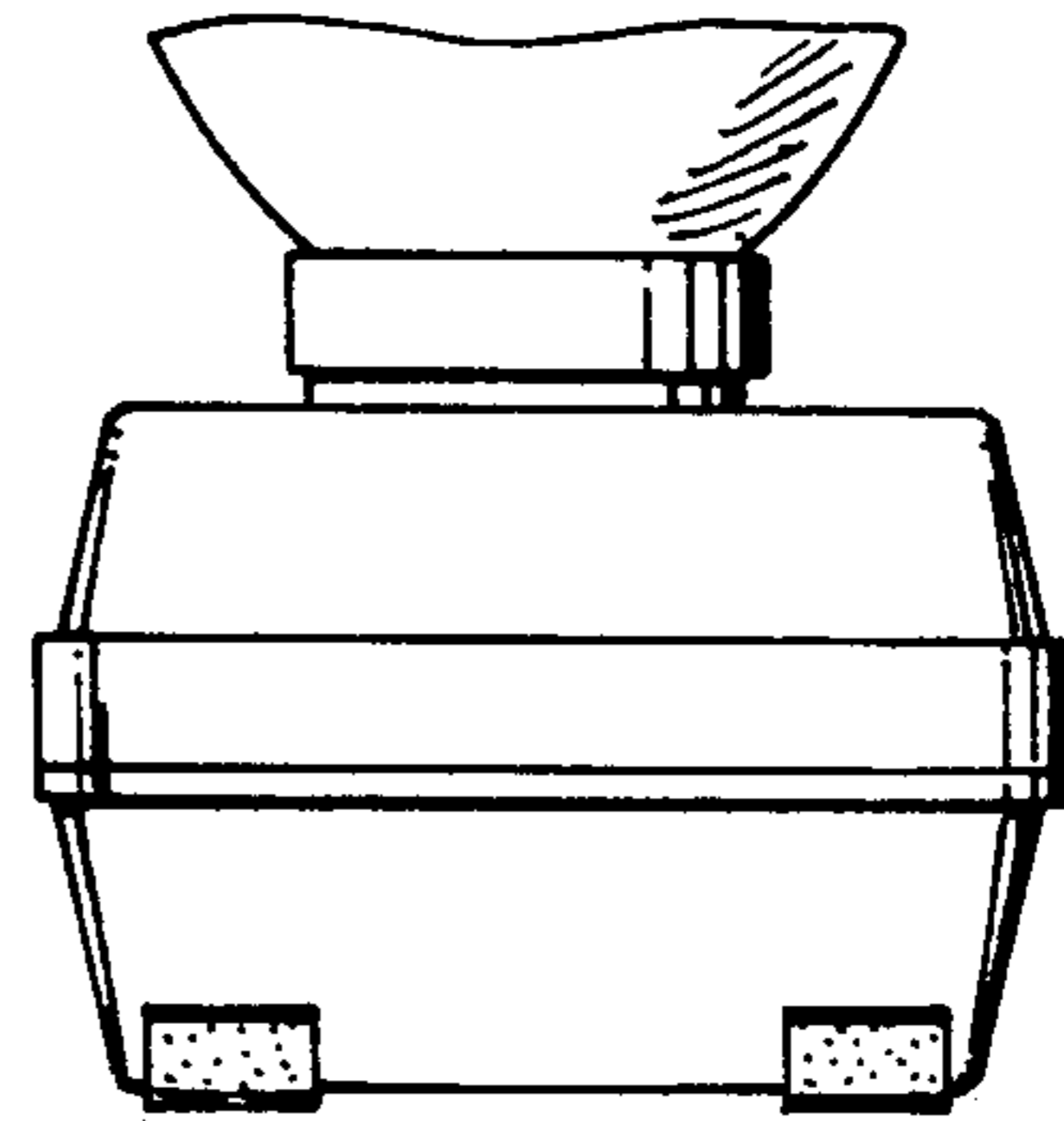


Fig. 4