

[54] PORTABLE RESPIRATOR

[76] Inventor: Walter W. Weingarten, 401 E. 80th Ave., Denver, Colo. 80229

[**] Term: 14 Years

[21] Appl. No.: 873,725

[22] Filed: Jan. 30, 1978

[51] Int. Cl. D24-01

[52] U.S. Cl. D24/1.1

[58] Field of Search D24/1.1, 8, 99; D29/7, D29/1, 6, 99; 128/28, 30, 30.2

[56] References Cited

U.S. PATENT DOCUMENTS

| | | | |
|-----------|--------|------------------|--------|
| 2,506,865 | 5/1950 | Forrey | 128/30 |
| 2,652,047 | 9/1953 | Luck et al. | 128/30 |

Primary Examiner—Sam Rosen
Attorney, Agent, or Firm—Philip H. Sheridan

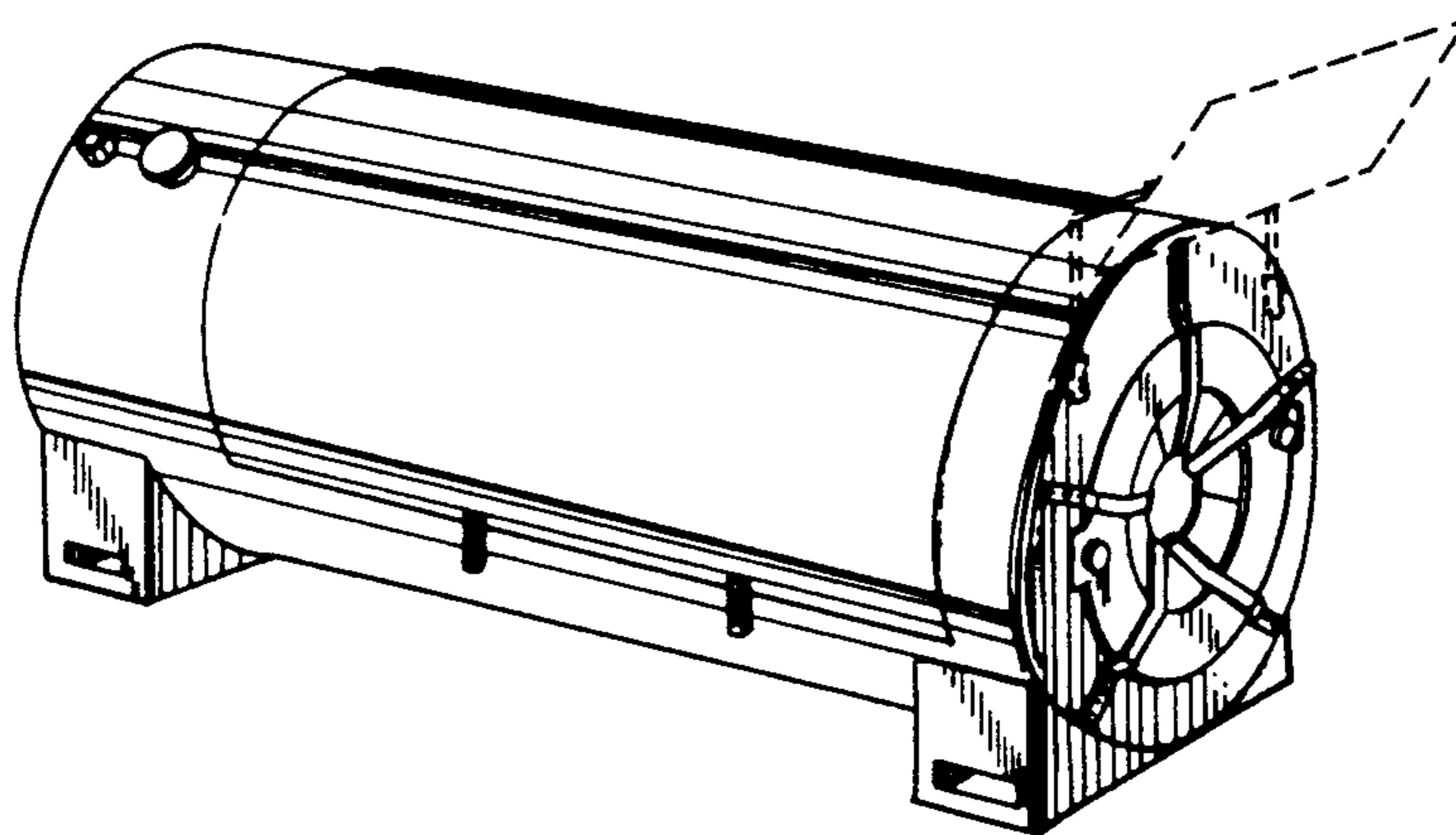
[57] CLAIM

The ornamental design for a portable respirator, as shown and described.

DESCRIPTION

FIG. 1 is a perspective view of a portable respirator showing my new design; FIG. 2 is a right side elevational view thereof; FIG. 3 is a top view thereof; FIG. 4 is a left side elevational view thereof; FIG. 5 is a bottom end view thereof; FIG. 6 is a front end view thereof; and FIG. 7 is a bottom plan view thereof.

The mirror and mount shown in broken lines in FIG. 1 are for illustrative purposes only and do not form part of my claimed design.



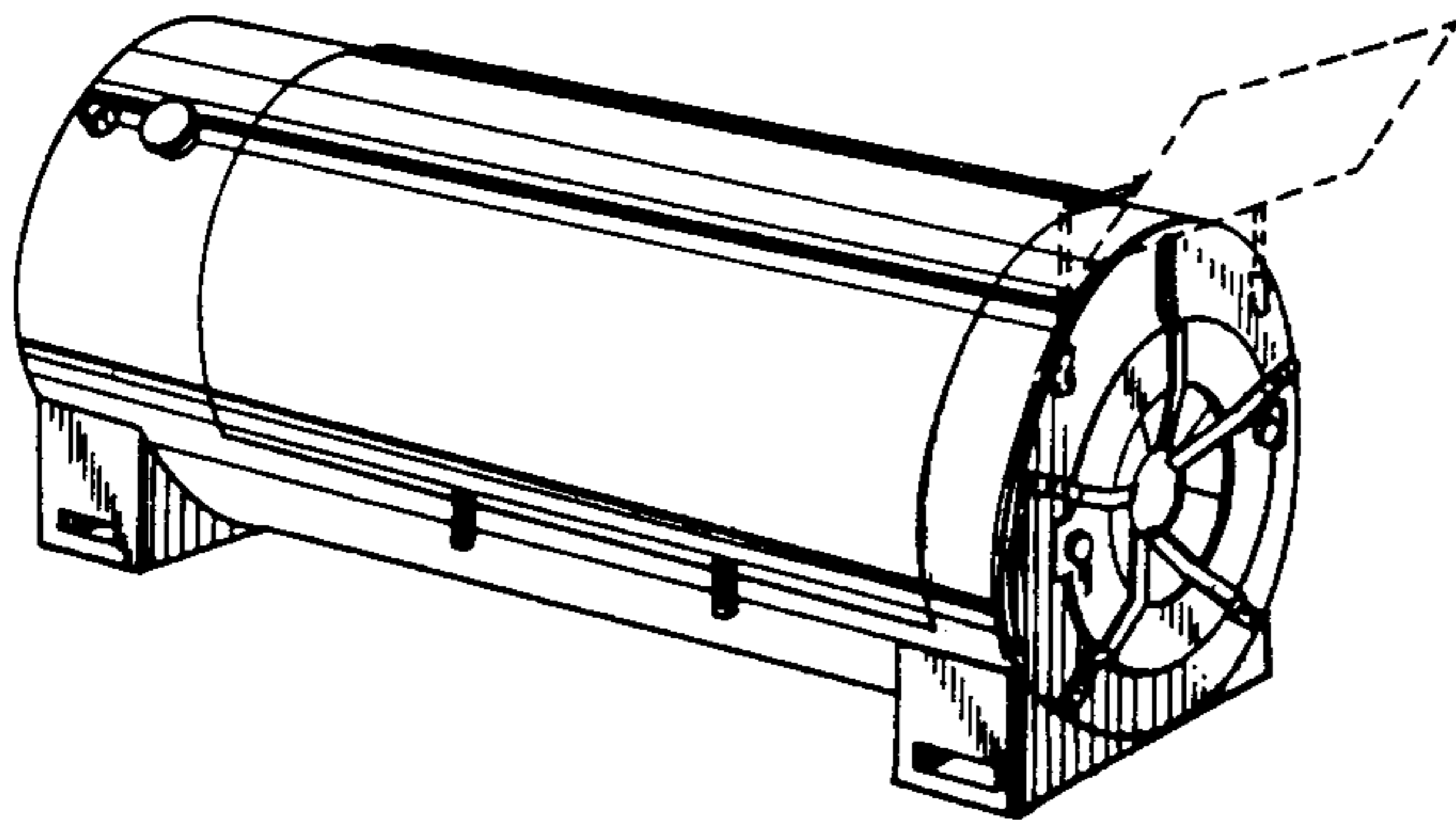


Fig-1

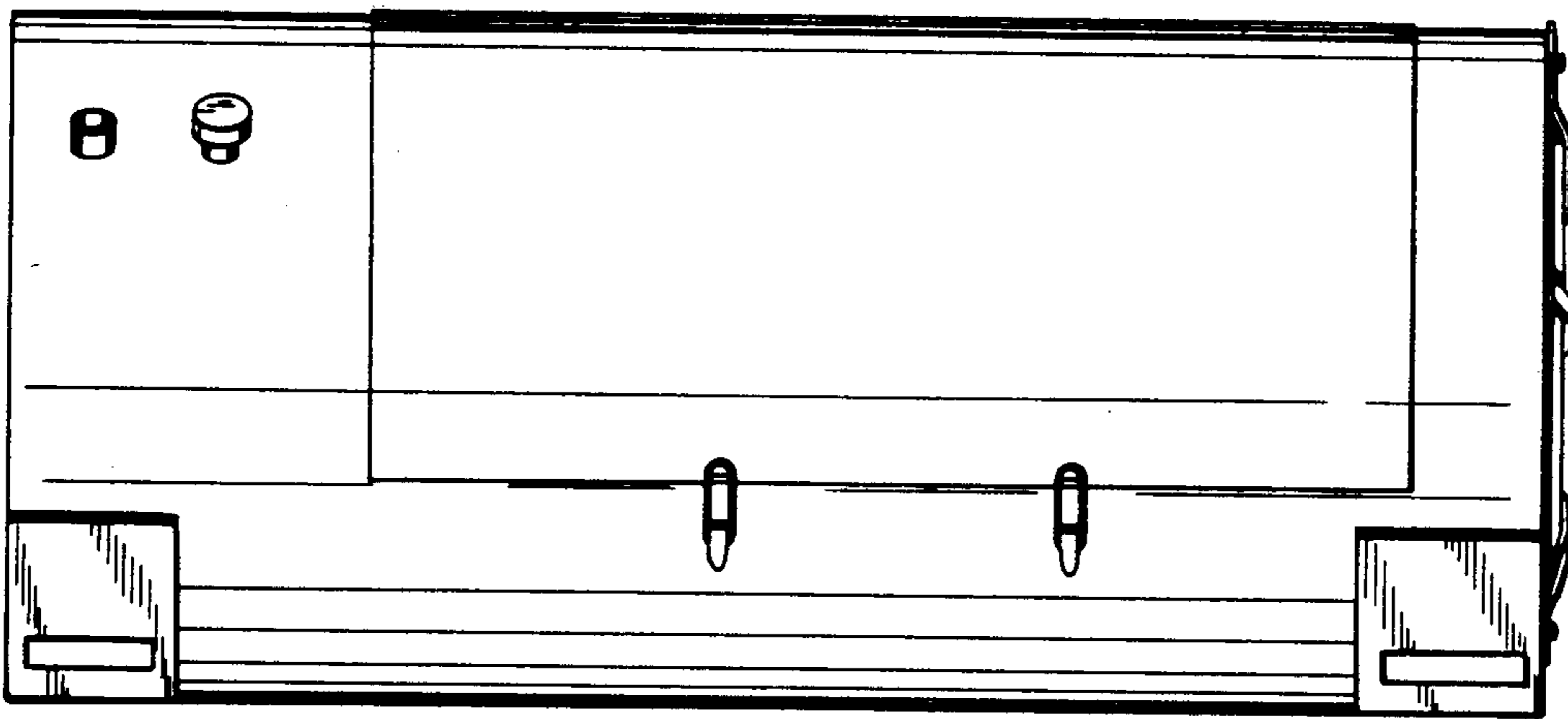


Fig-2

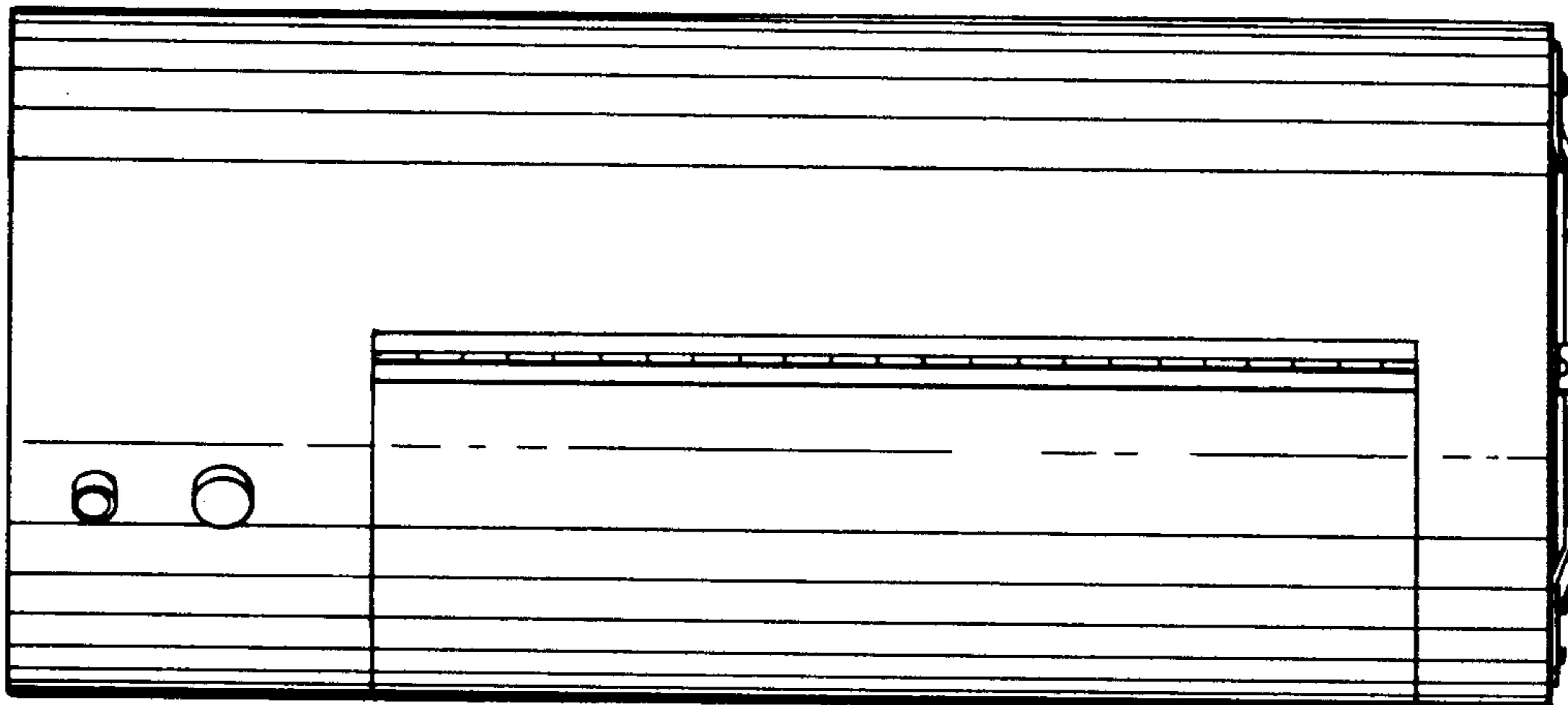


Fig-3

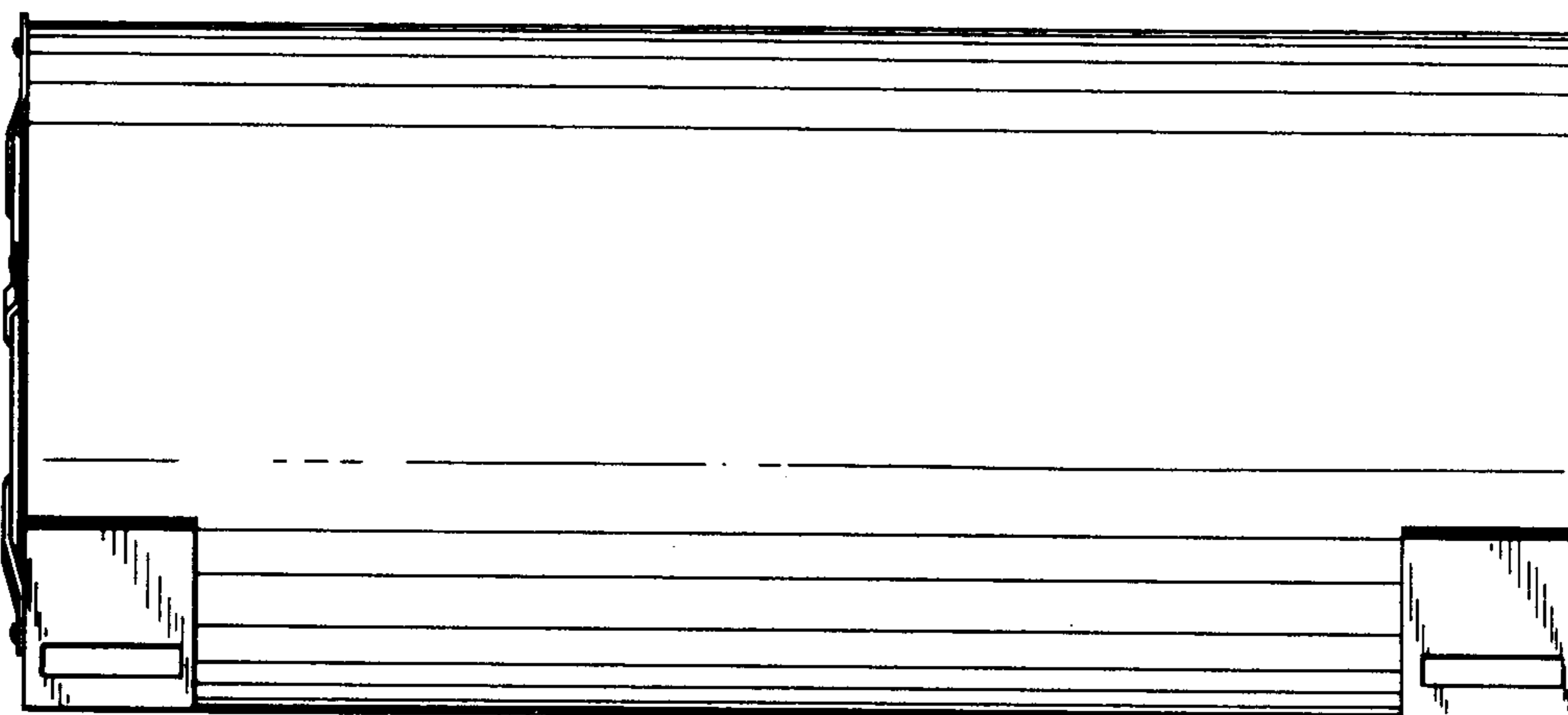


Fig-4

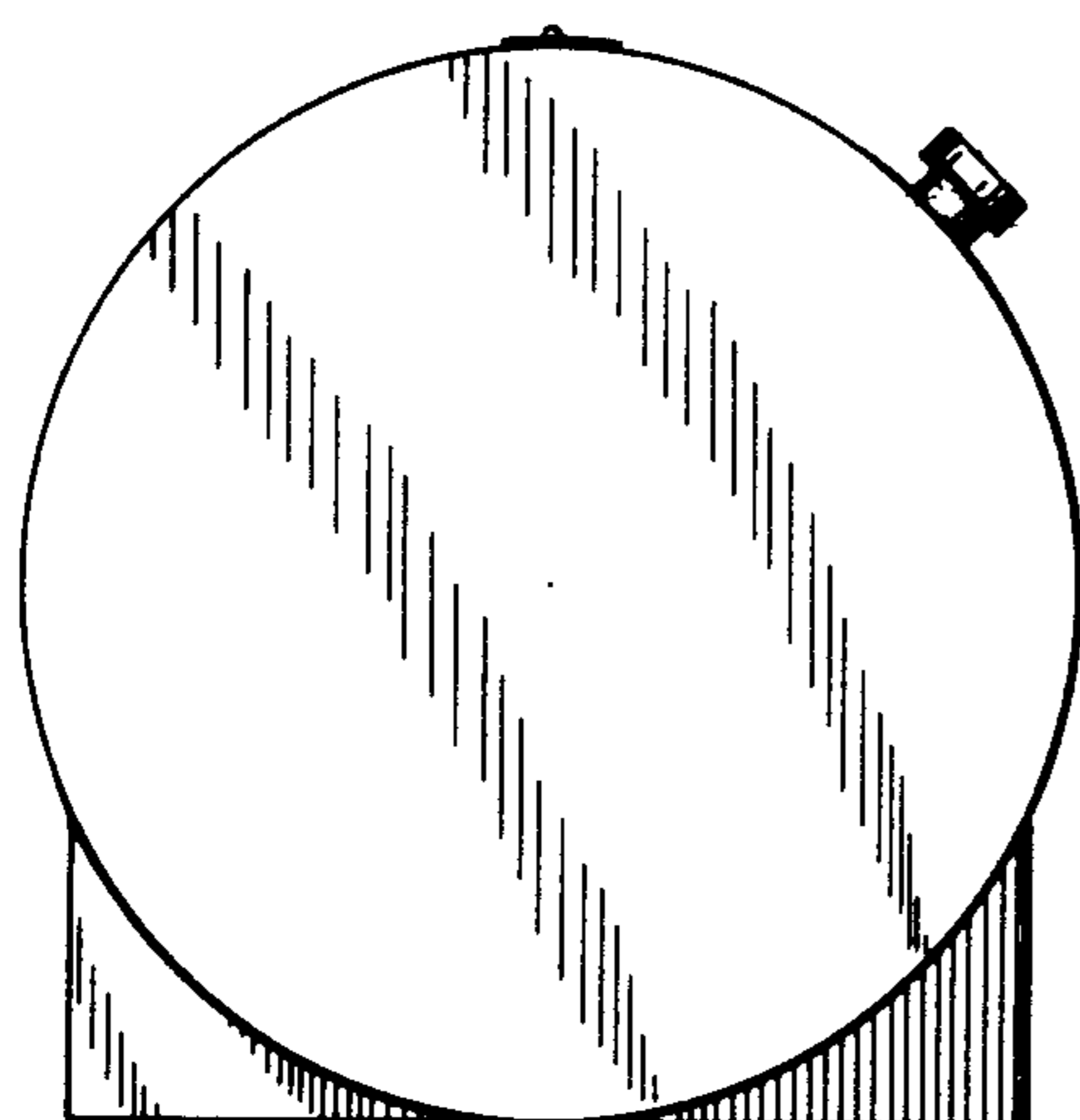


Fig-5

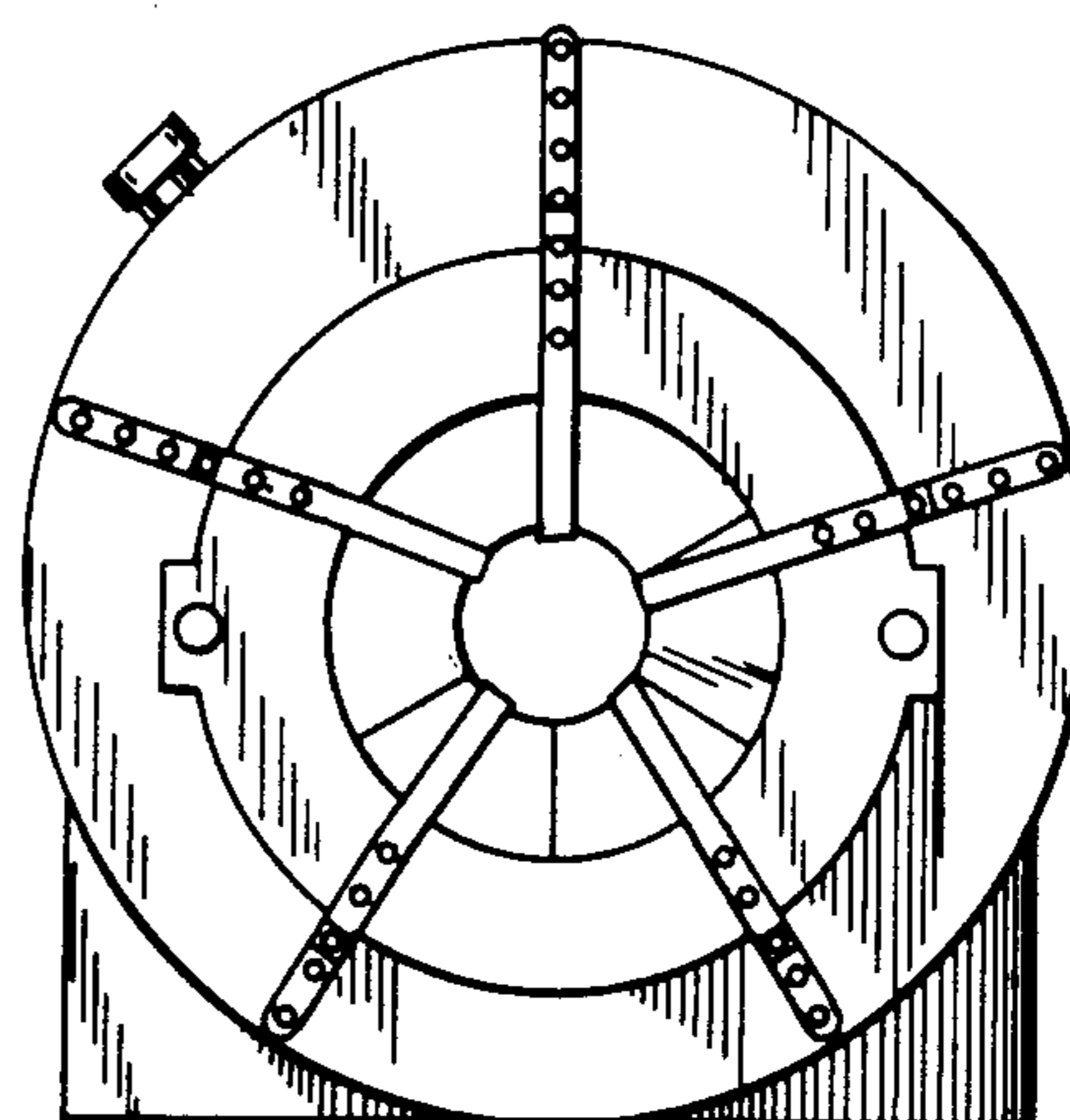


Fig-6

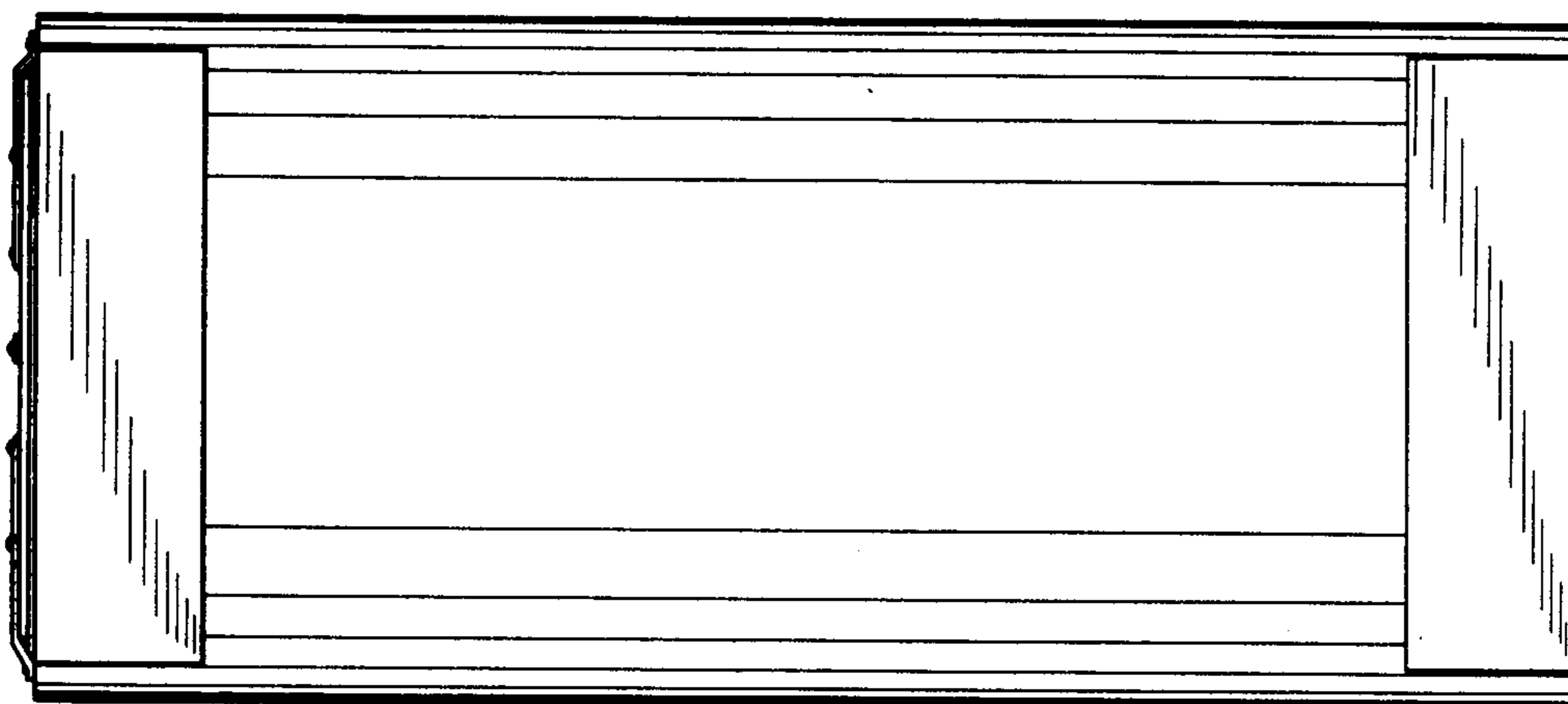


Fig-7