

[54] COVER FOR AN INLET GRILL ON AN AIR CONDITIONER

3,011,424 12/1961 Kohlen 98/94 AC

[75] Inventor: John S. Gammell, Sparks, Nev.

[73] Assignee: Gammell Enterprises, Reno, Nev.

[**] Term: 14 Years

[21] Appl. No.: 906,148

[22] Filed: May 15, 1978

[51] Int. Cl. D23-04

[52] U.S. Cl. D23/163

[58] Field of Search D23/139-144,
D23/163; 98/94 A, 94 C, 8, 114; 62/265, DIG.
16

[56] References Cited

U.S. PATENT DOCUMENTS

| | | | |
|------------|---------|--------------------|-----------|
| D. 219,449 | 12/1970 | Ortega et al. | D23/139 |
| D. 231,354 | 4/1974 | Hoyle | D23/141 |
| D. 242,462 | 11/1976 | Shames | D23/139 X |
| 2,240,617 | 5/1941 | Harrigan | 98/114 |

OTHER PUBLICATIONS

Washington Post, Sec. A 28, Friday Jun. 18, 1971, "9000 BTU", Air Conditioner.

Mart Magazine, Nov. 11, 1968, p. 12, "Gibson", Advertisement.

Primary Examiner—James R. Largen

Attorney, Agent, or Firm—Philip H. Sheridan

[57] CLAIM

The ornamental design for a cover for an inlet grill on an air conditioner, as shown and described.

DESCRIPTION

FIG. 1 is a prospective view of a cover for an inlet grill on an air conditioner showing my new design;

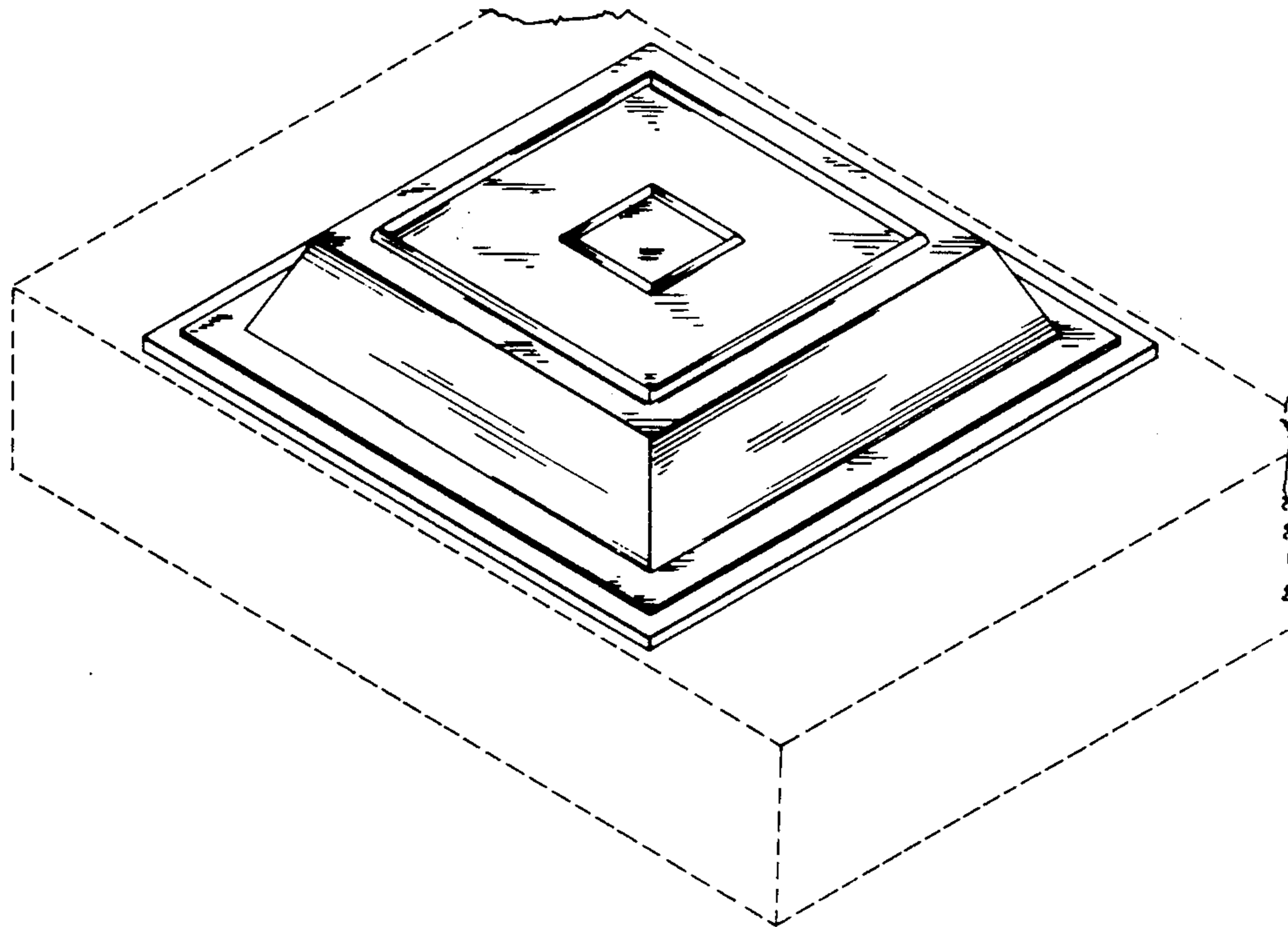
FIG. 2 is a top plan view thereof;

FIG. 3 is a side elevational view thereof;

FIG. 4 is a bottom plan view thereof; and

FIG. 5 is a front elevational view thereof.

The fragmentary broken line representation of an air conditioner in FIG. 1 is for purposes of illustration only.



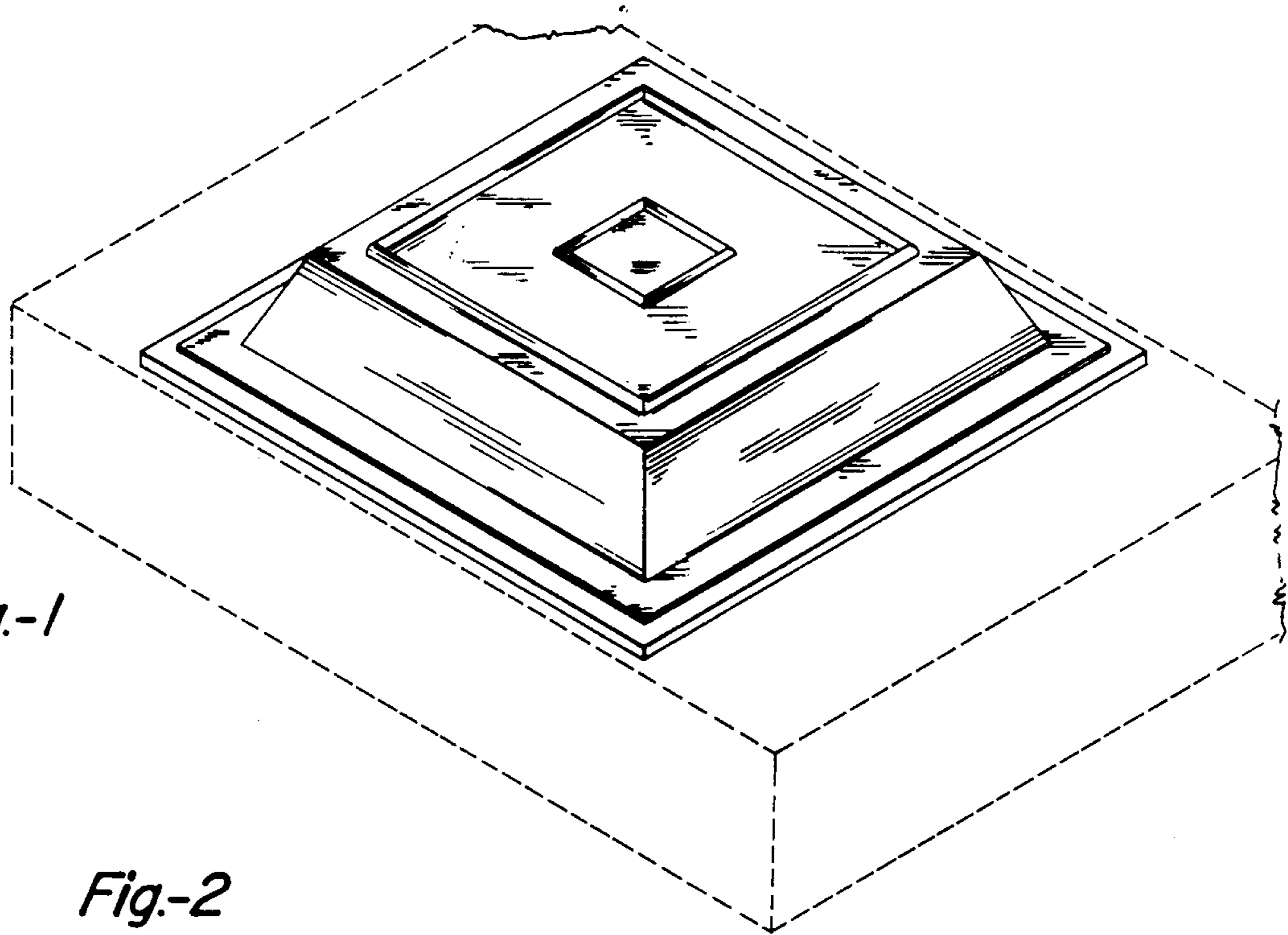


Fig.-1

Fig.-2

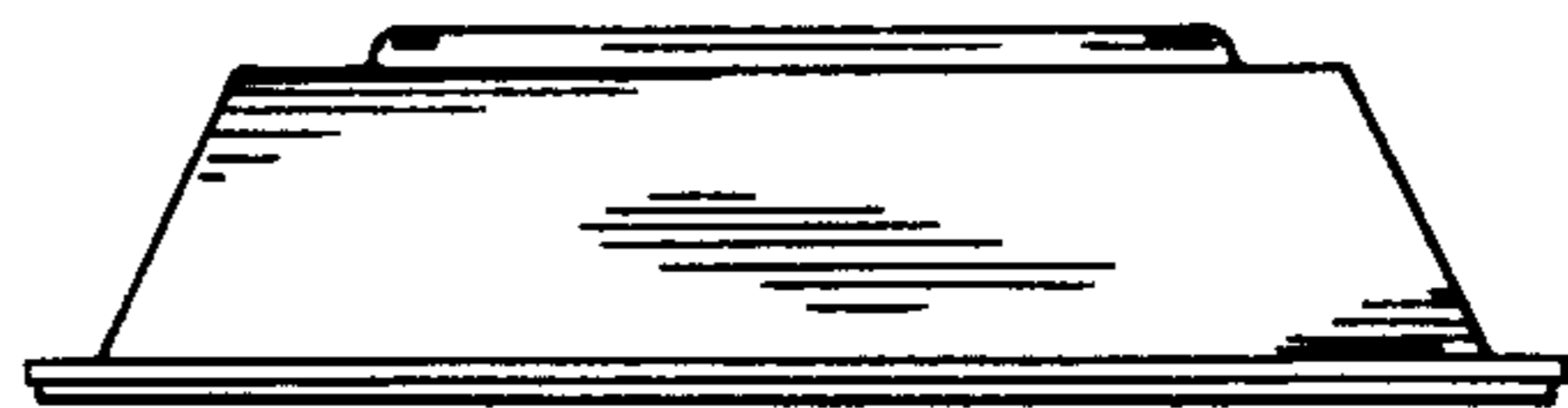
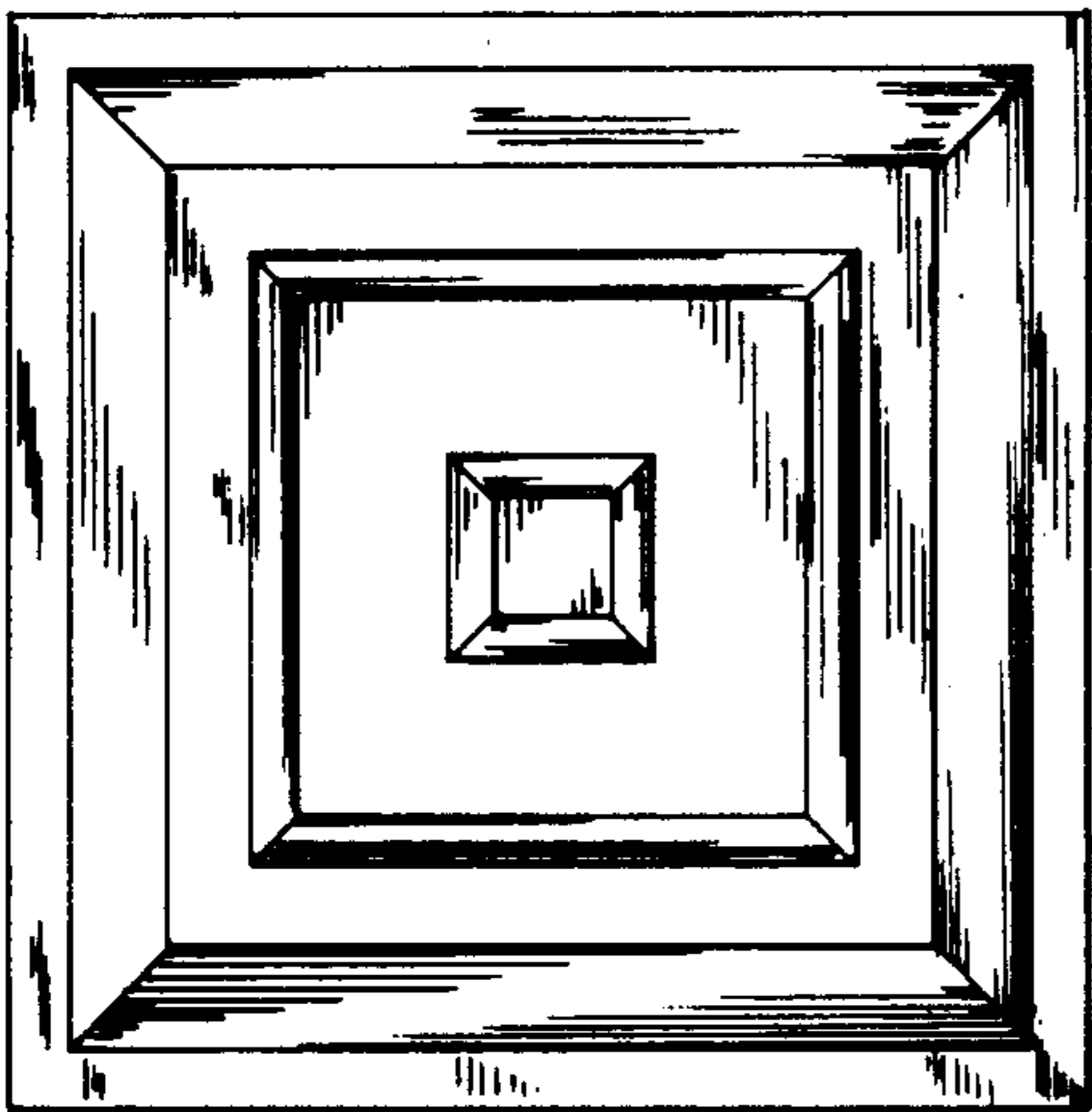


Fig.-3

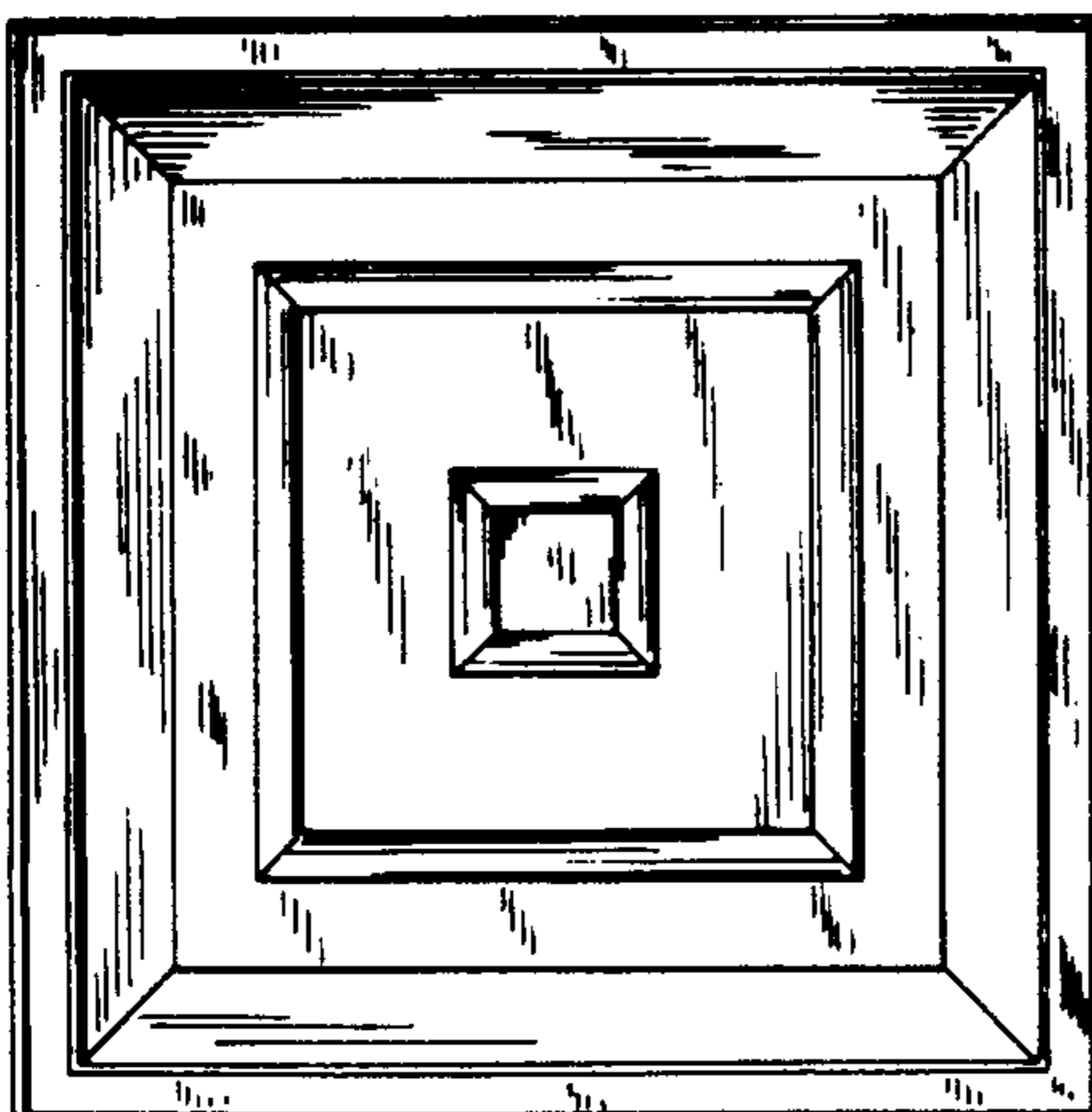


Fig.-4

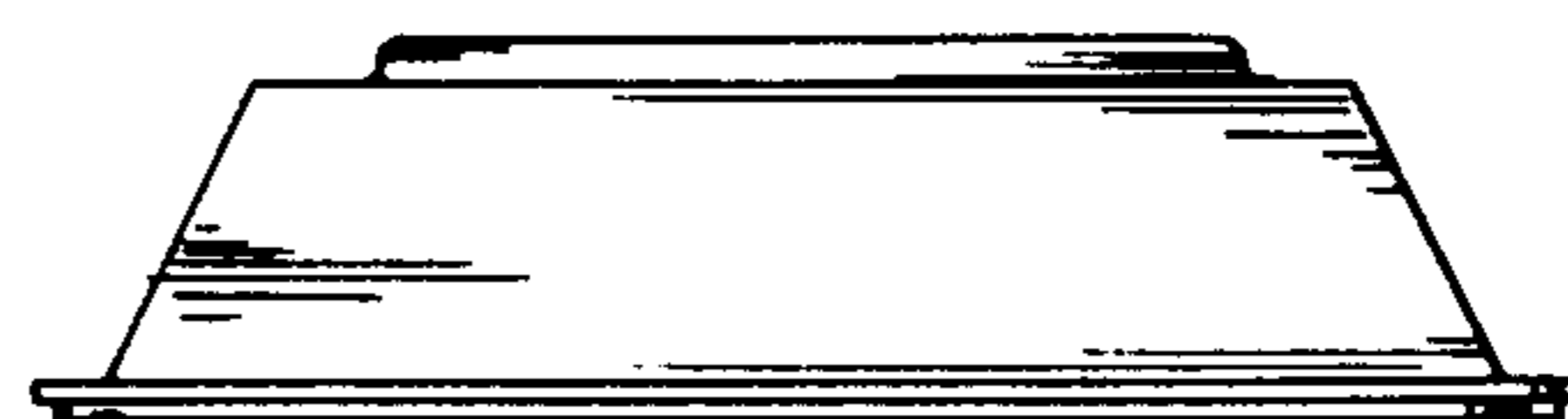


Fig.-5