

[54] HUMIDIFIER FOR A GREENHOUSE

[76] Inventor: Cyrus D'Amato, 8 Parkway Dr., Roslyn Heights, N.Y. 11577

[**] Term: 14 Years

[21] Appl. No.: 919,989

[22] Filed: Jun. 28, 1978

[51] Int. Cl. D23-04

[52] U.S. Cl. D23/146

[58] Field of Search D23/139-153, D23/159; 239/208, 209; 261/116; 62/34; 236/44, 44 A

[56] References Cited

U.S. PATENT DOCUMENTS

D. 174,118	3/1955	Evarts	D23/159
D. 238,785	2/1976	Alger et al.	D23/146
3,078,780	2/1963	Bottlander	47/17 X
3,348,922	10/1967	Bose et al.	236/44 R X

3,363,531	1/1968	Kohlmeyer et al.	98/30
3,446,272	5/1969	Gaines, Jr.	236/44 R X
3,503,137	3/1970	Wilson	236/44 R X
4,047,328	9/1977	Kehl et al.	98/30 X
4,197,991	4/1980	D'Amato	236/44 A

Primary Examiner—James R. Largen
Attorney, Agent, or Firm—Alan K. Roberts

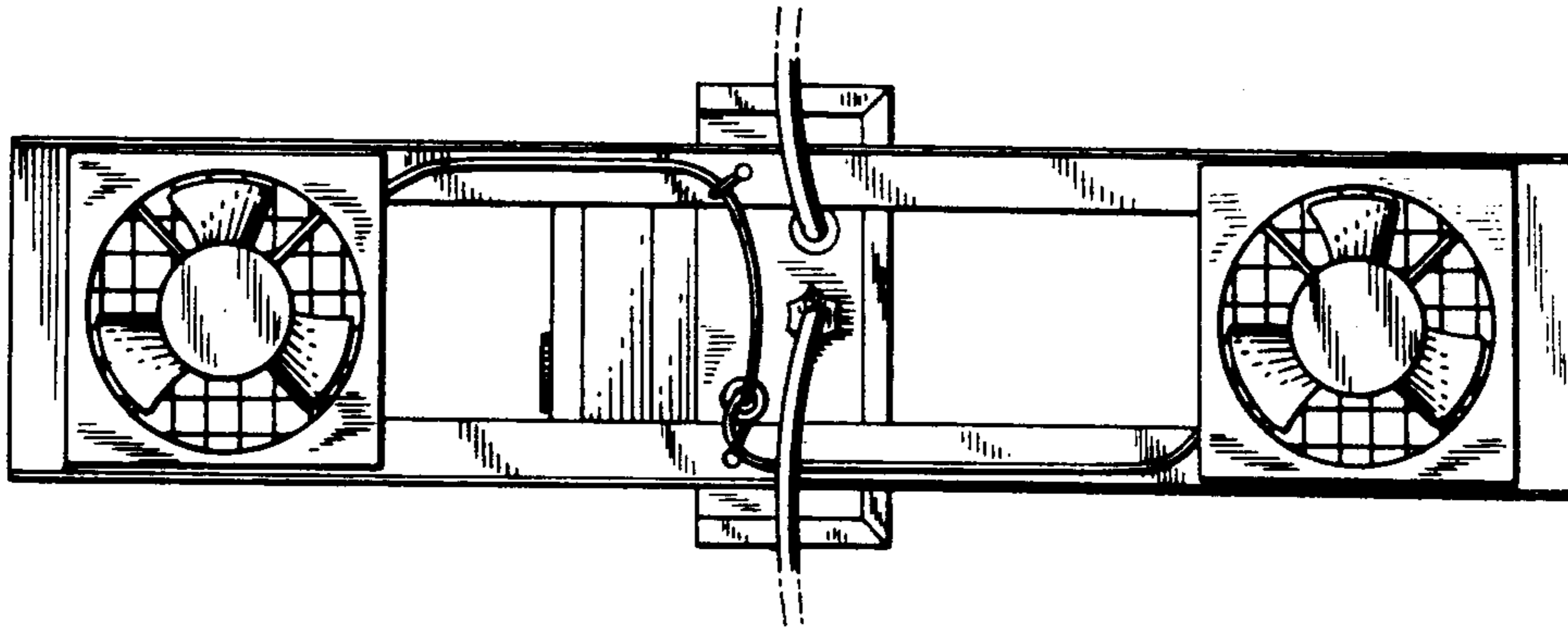
[57] CLAIM

The ornamental design for a humidifier for a greenhouse, substantially as shown and described.

DESCRIPTION

FIG. 1 is a top plan view of a humidifying apparatus showing my new design;
FIG. 2 is a side elevational view thereof;
FIG. 3 is a left end elevational view thereof;
FIG. 4 is a right end elevational view thereof; and
FIG. 5 is a bottom plan view thereof.

The fragmentary broken line representation of a water and an electric connection in FIG. 1 is for purposes of illustration only.



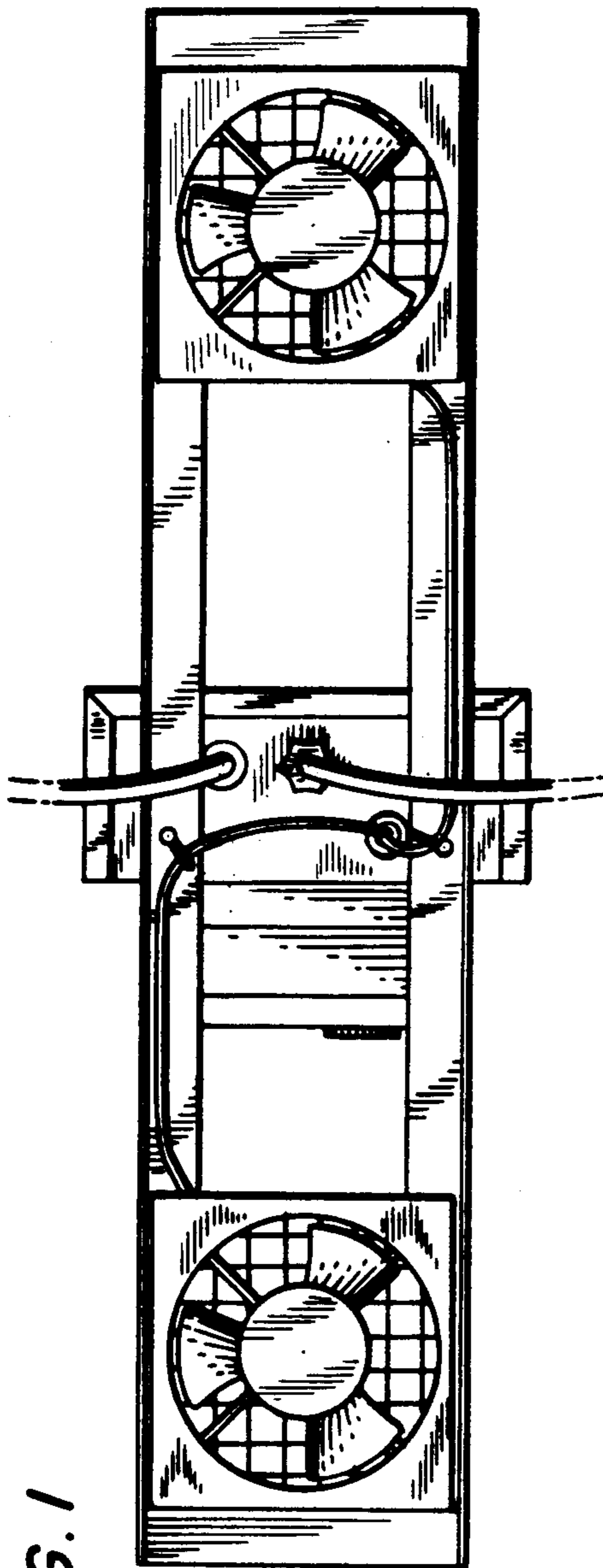


FIG. 1

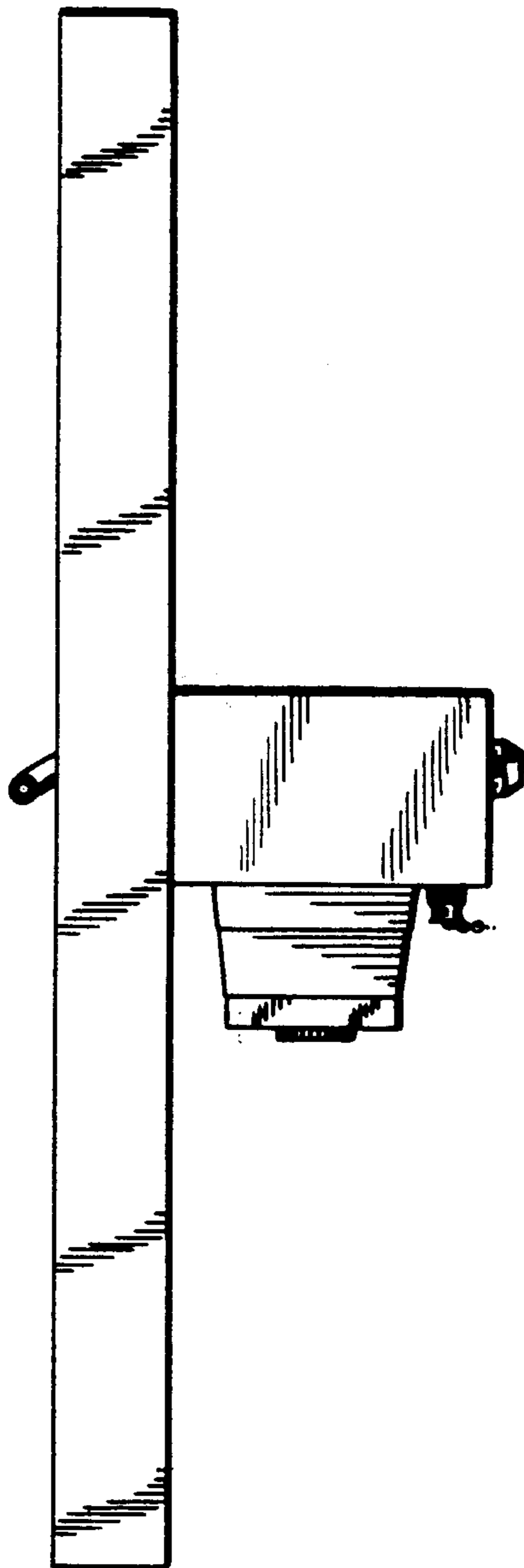


FIG. 2

FIG. 3

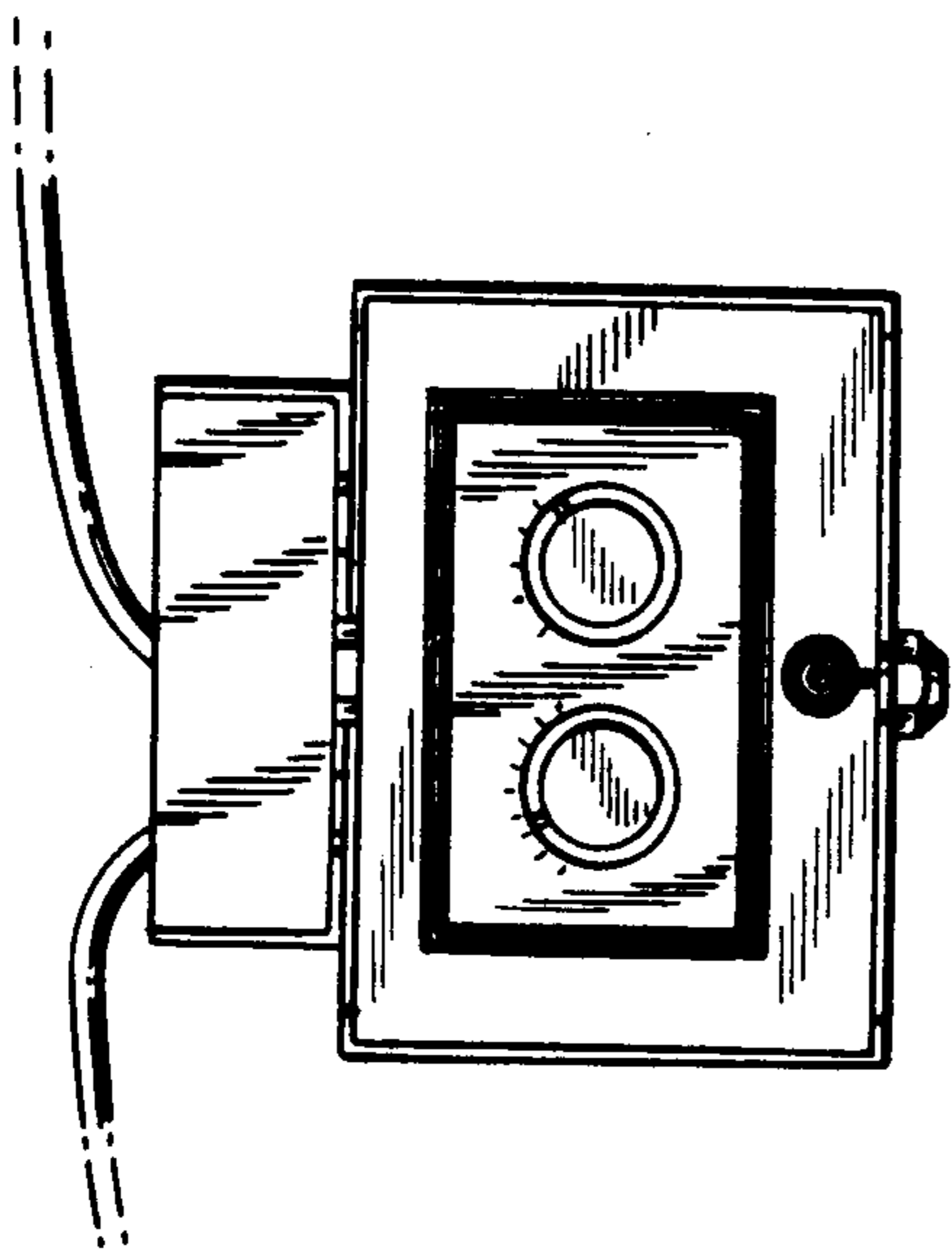


FIG. 4

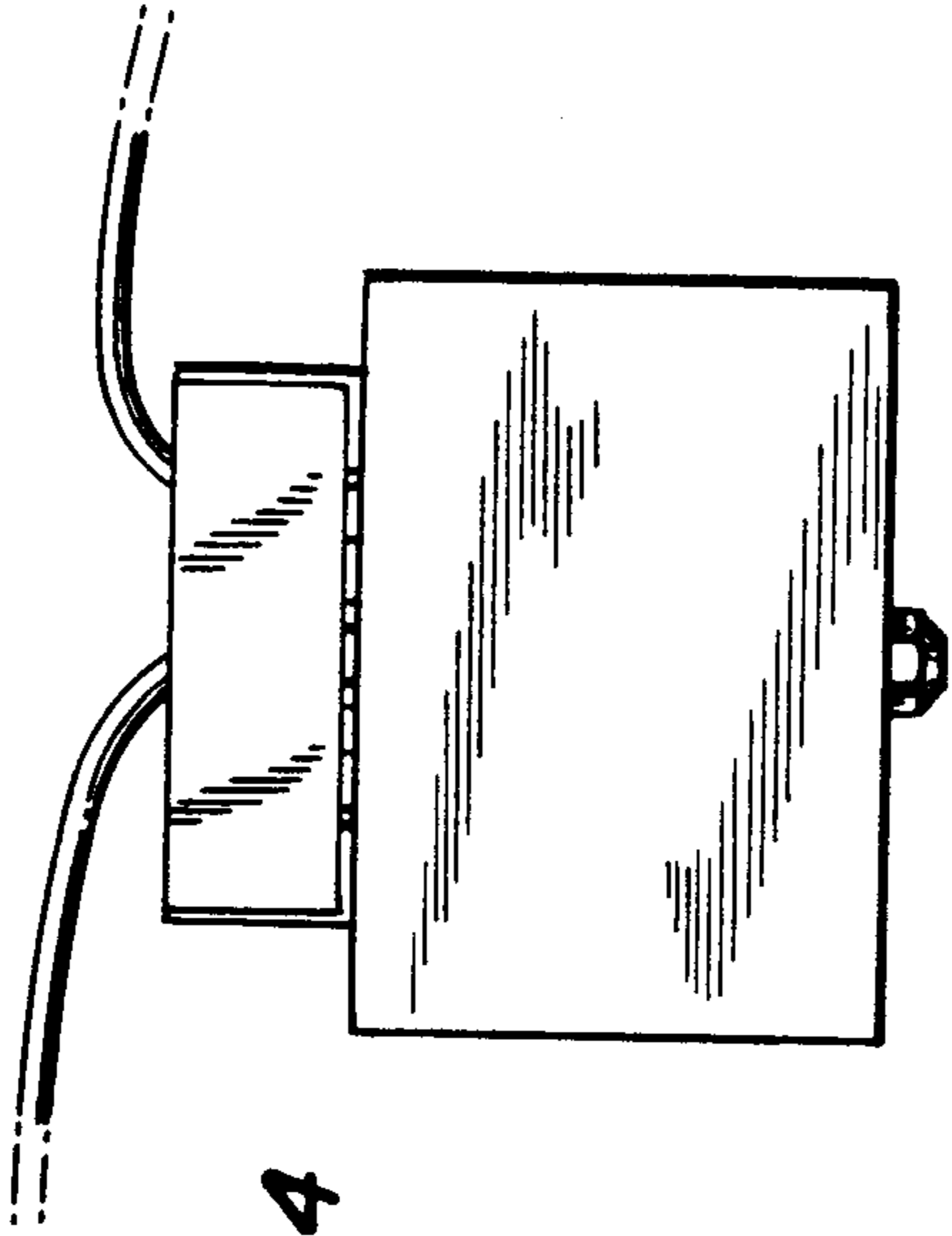


FIG. 5

