

[54] GAS PRESSURE REGULATOR

[75] Inventor: David O. Mann, Marshall, Mich.

[73] Assignee: Marshall Brass Company, Marshall, Mich.

[**] Term: 14 Years

[21] Appl. No.: 892,218

[22] Filed: Mar. 31, 1978

[51] Int. Cl. D23-01

[52] U.S. Cl. D23/21

[58] Field of Search D23/19-22; 137/505.12

[56] References Cited

U.S. PATENT DOCUMENTS

D. 106,584 10/1937 Russel D23/21

D. 115,780	7/1939	Carnes	D23/21
D. 181,319	10/1957	Schutmaat	D23/21
D. 221,430	8/1971	Robinson	D23/19
2,770,252	11/1956	Bass, Jr.	137/505.12
2,775,981	1/1957	Zonker	137/505.12

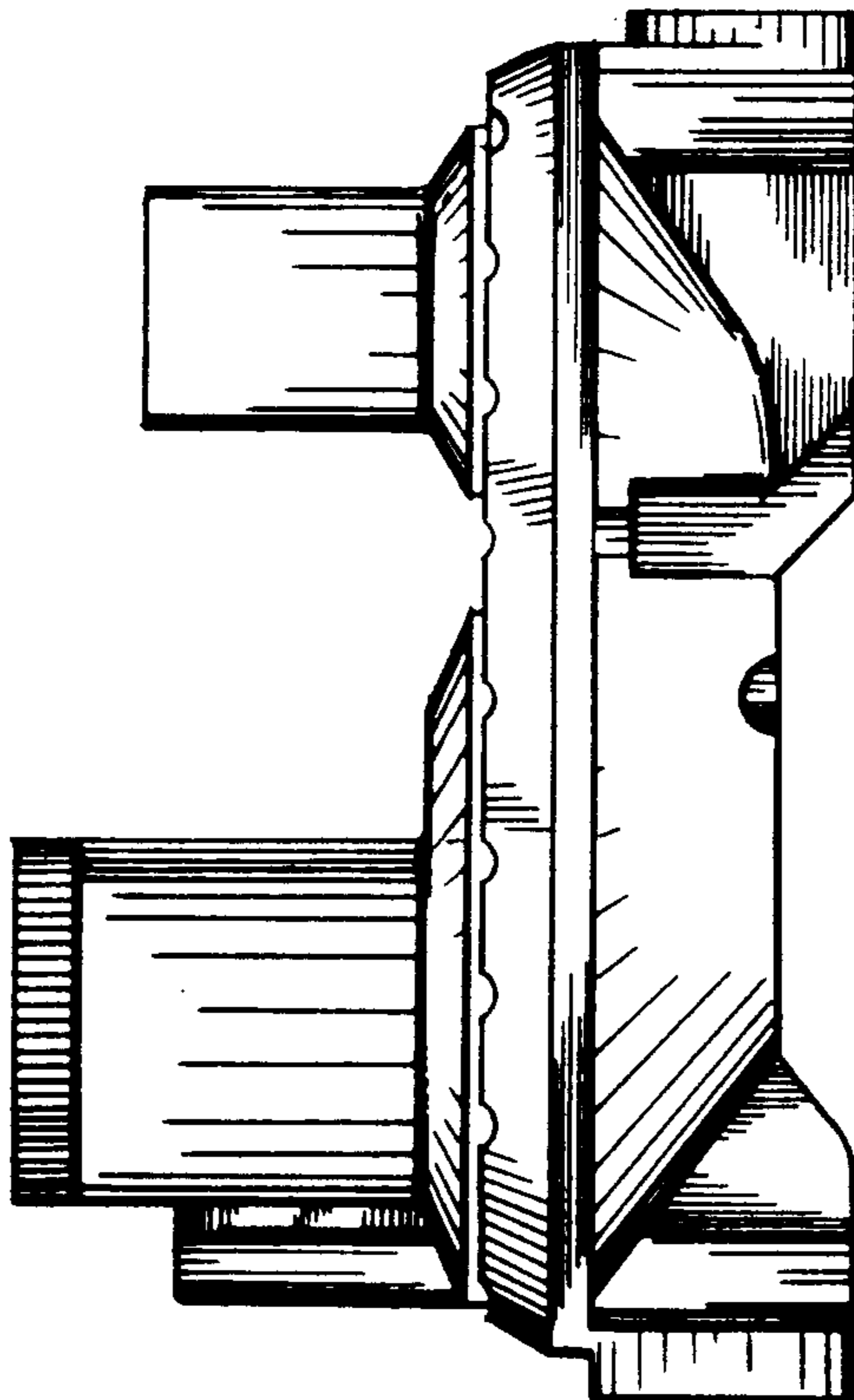
Primary Examiner—James R. Largen
Attorney, Agent, or Firm—Peter P. Price

[57] CLAIM

The ornamental design for a gas pressure regulator, substantially as shown.

DESCRIPTION

FIG. 1 is a left side elevational view of a gas pressure regulator embodying my design; FIG. 2 is a bottom plan view thereof; FIG. 3 is a left end elevational view thereof; FIG. 4 is a top plan view thereof; FIG. 5 is a right end elevational view thereof; and FIG. 6 is a perspective view thereof.



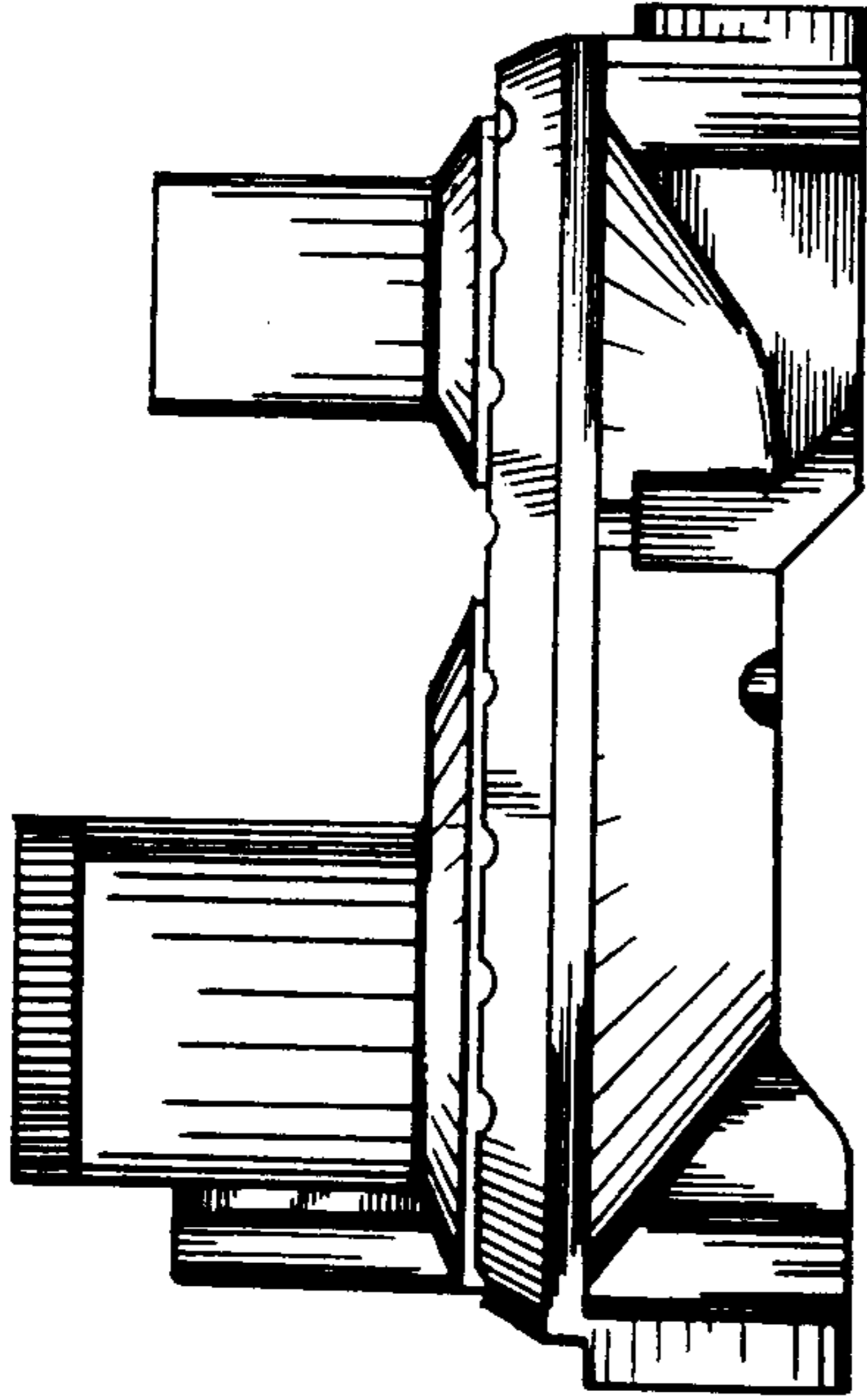


FIG. 1.

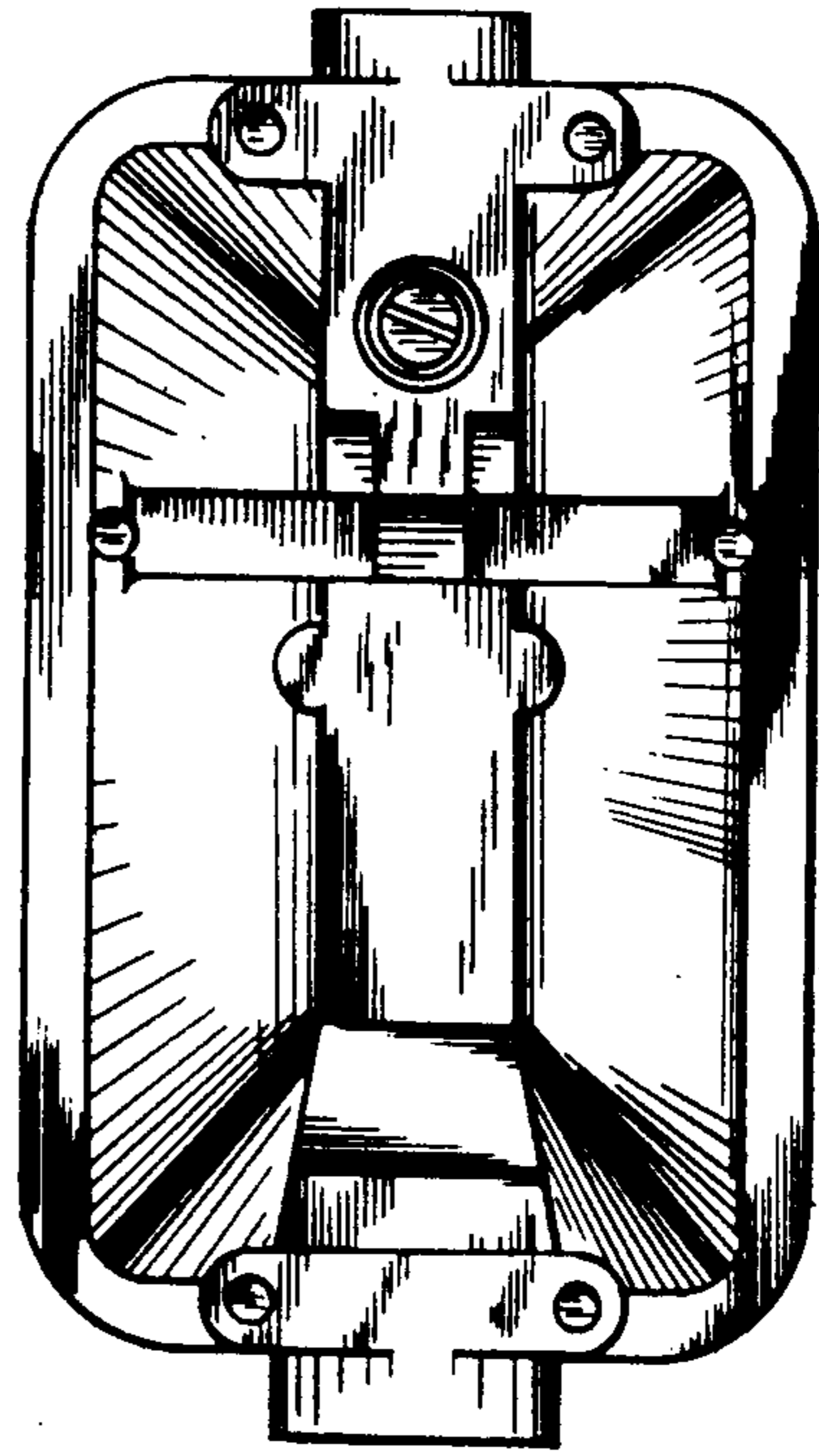


FIG. 2.

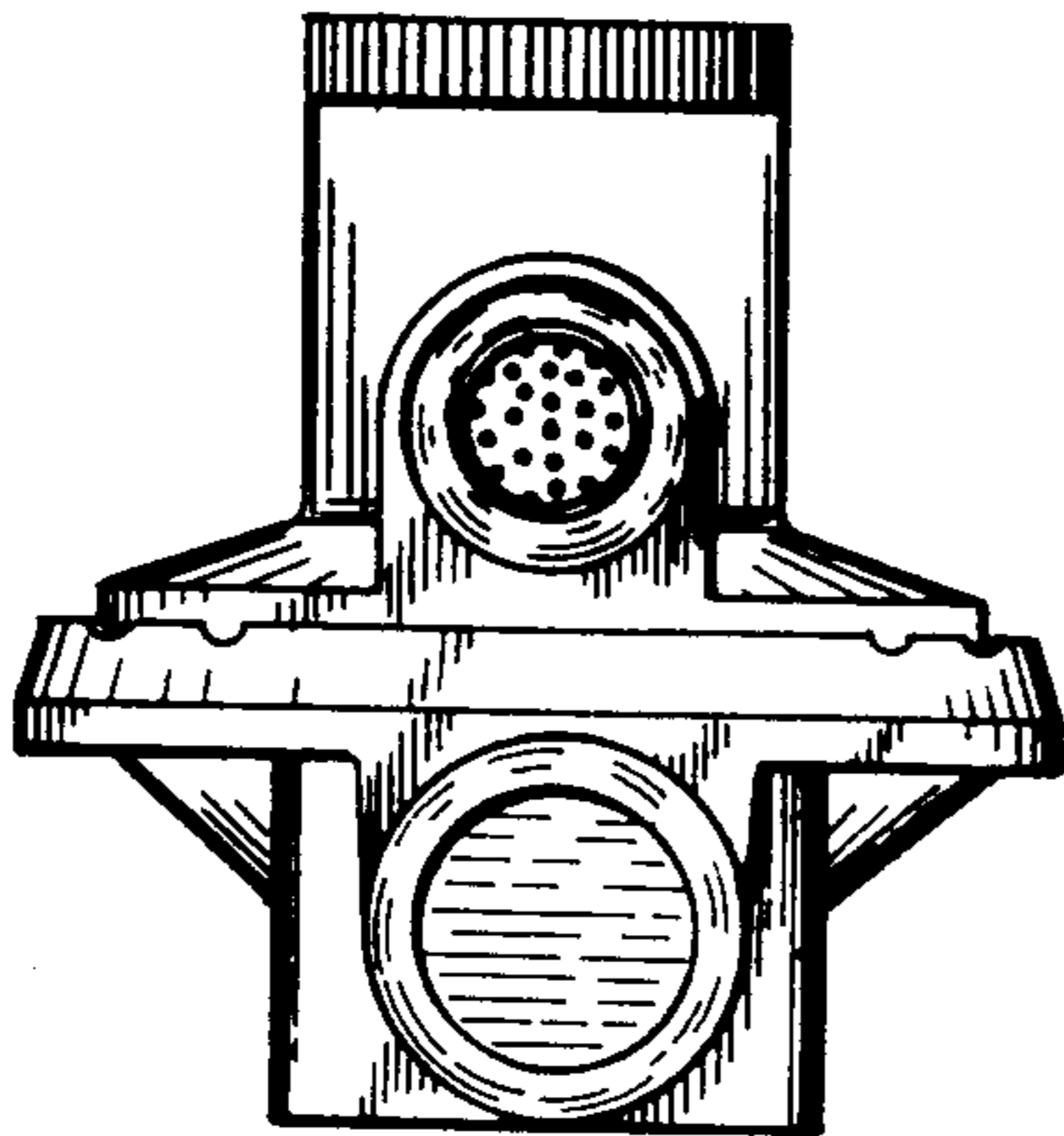


FIG. 3.

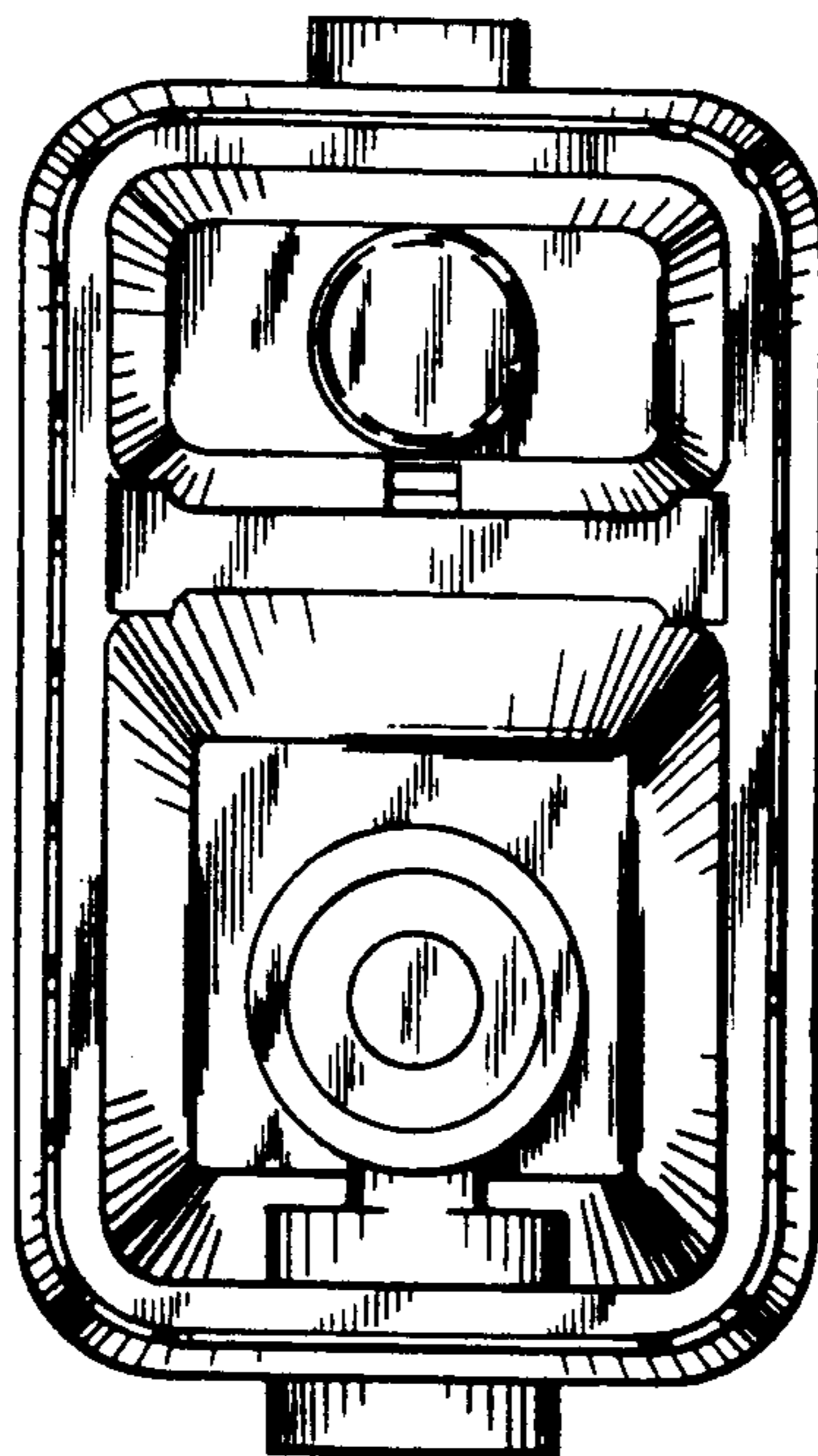


FIG. 4.

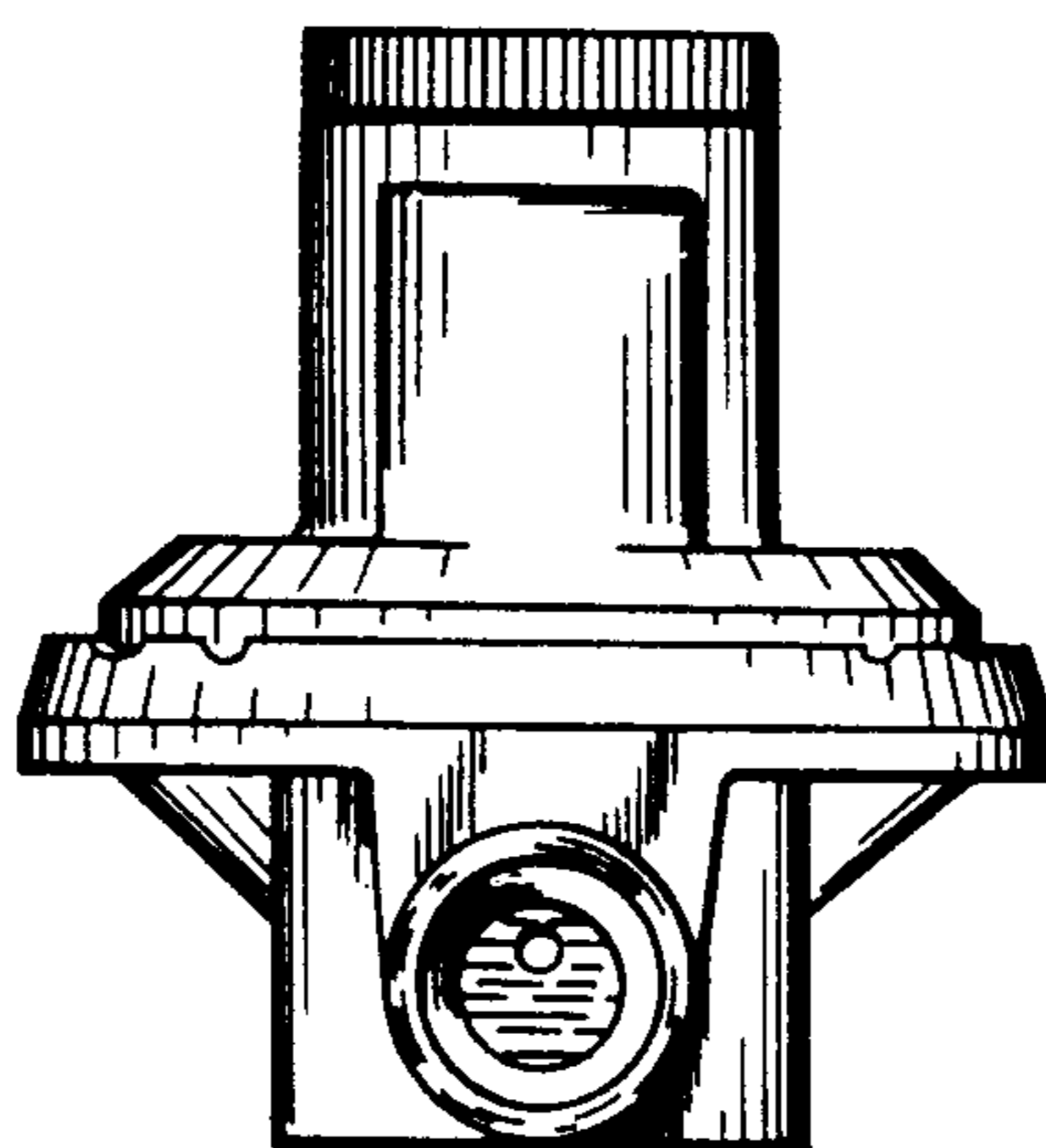


FIG. 5.

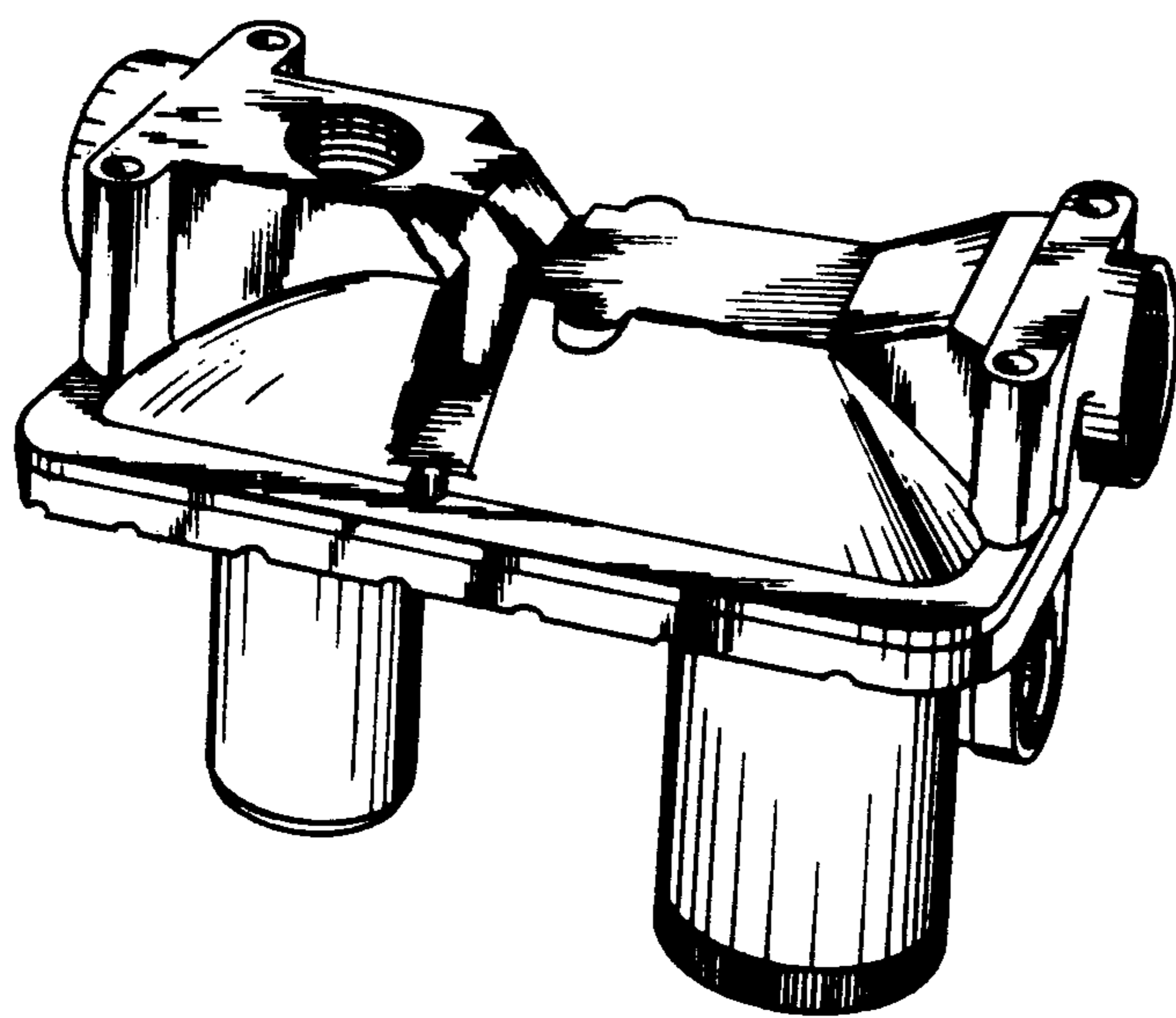


FIG. 6.