

[54] TOY BOAT

2,900,758 8/1959 Glass ..... 46/96  
3,600,847 8/1971 Lakin ..... 46/96

[75] Inventor: Norman Walker, London, England

Primary Examiner—Charles A. Rademaker  
Attorney, Agent, or Firm—Emory L. Groff, Jr.

[73] Assignee: Hilary Page "Sensible" Toys Limited,  
Kenley, England

[\*\*] Term: 14 Years

[57] CLAIM

The ornamental design for a toy boat, as shown and described.

[21] Appl. No.: 872,349

[22] Filed: Jan. 24, 1978

DESCRIPTION

[51] Int. Cl. .... D21-01

FIG. 1 is a front perspective view of a toy boat showing my new design;

[52] U.S. Cl. .... D21/130

FIG. 2 is a top plan view thereof shown on an enlarged scale;

[58] Field of Search ..... D21/130; D12/68, 67,  
D12/66; 46/93, 94, 95-96

FIG. 3 is a side elevational view thereof, the side opposite being substantially a mirror image;

FIG. 4 is a front elevational view thereof;

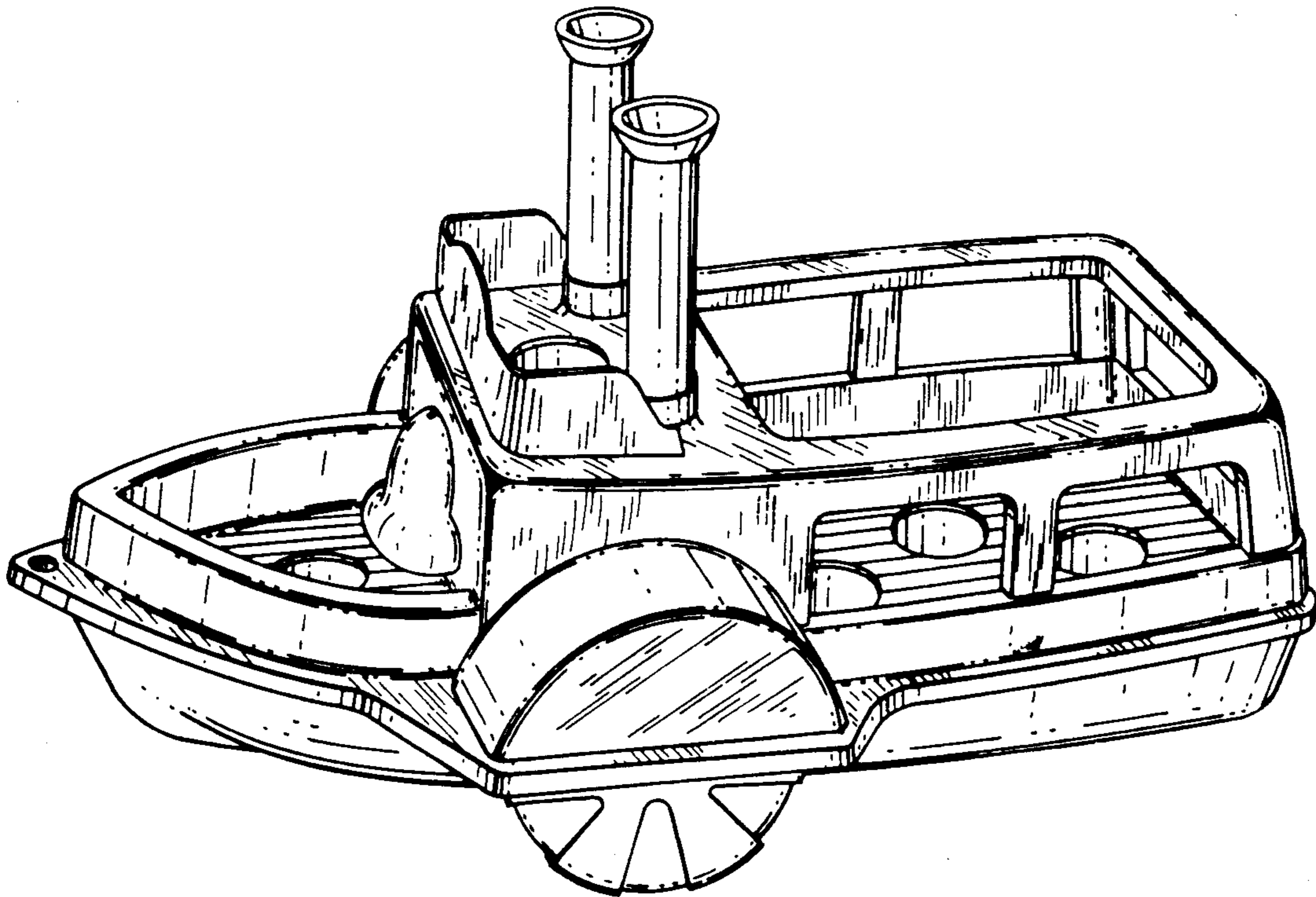
FIG. 5 is a rear elevational view thereof; and

FIG. 6 is a bottom plan view shown on an enlarged scale.

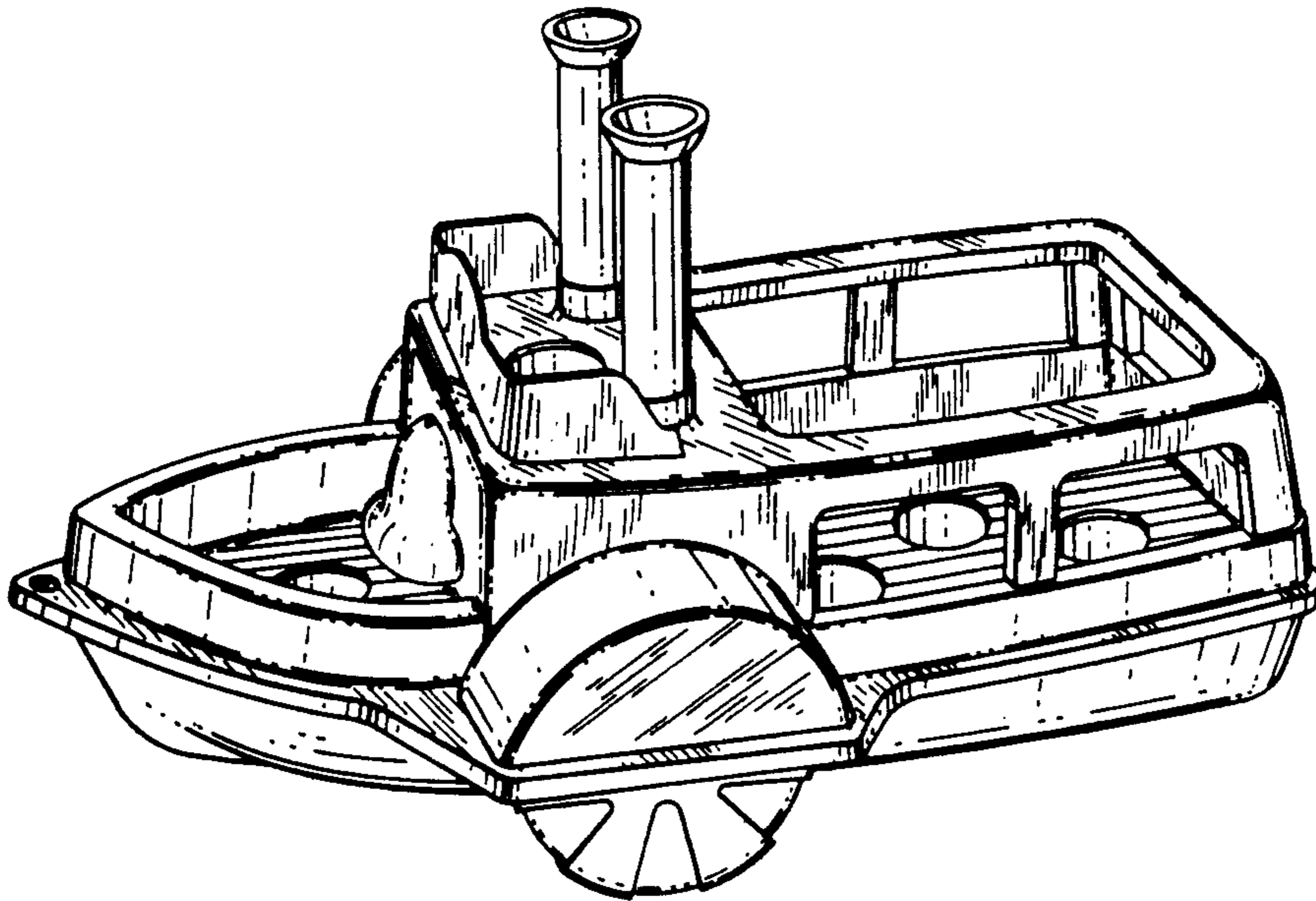
[56] References Cited

U.S. PATENT DOCUMENTS

D. 147,339	8/1947	Larsen	.....	D21/130
D. 213,122	1/1969	Lakin	.....	D21/130



*FIG. 1.*



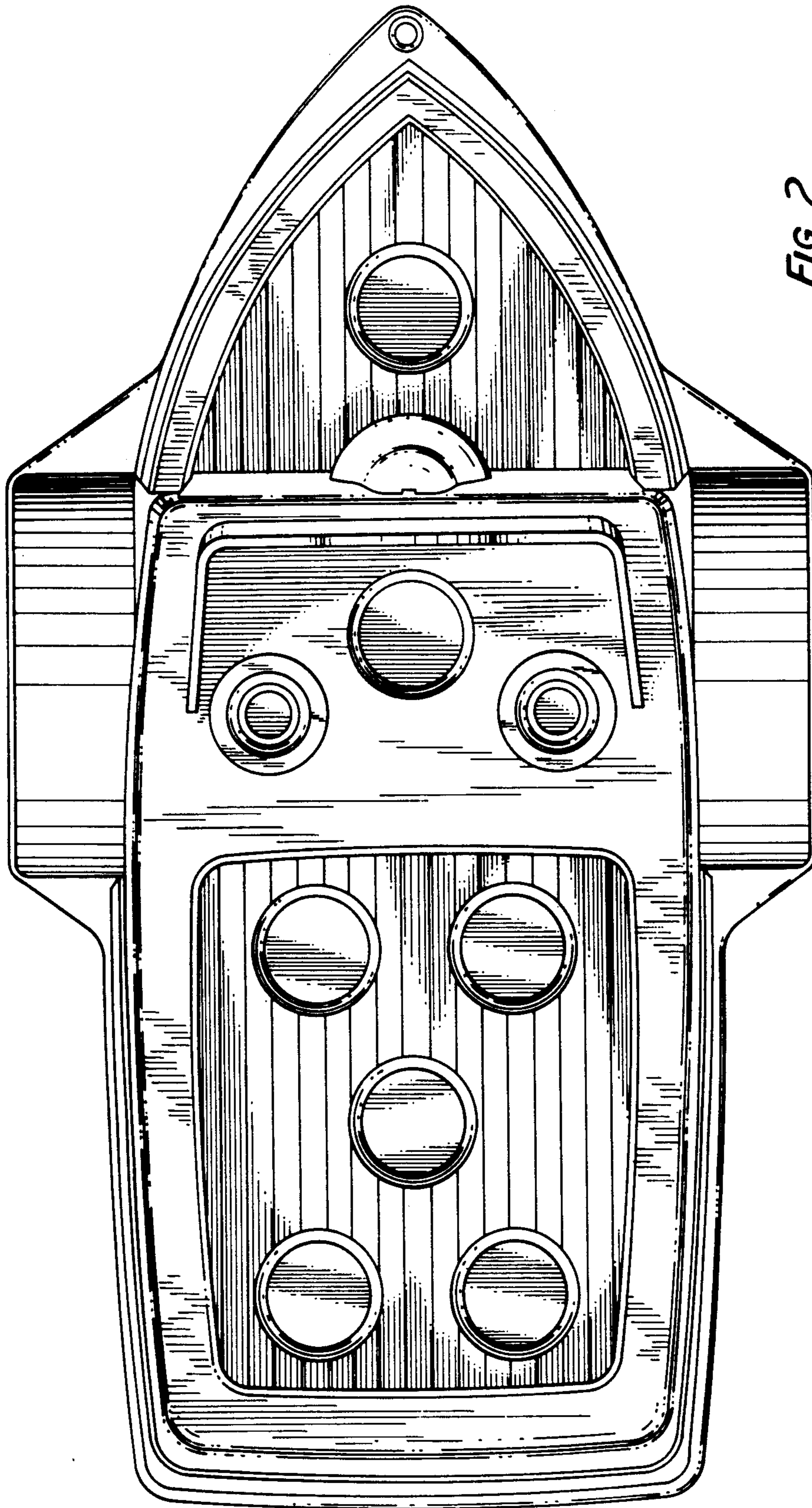


FIG. 2.

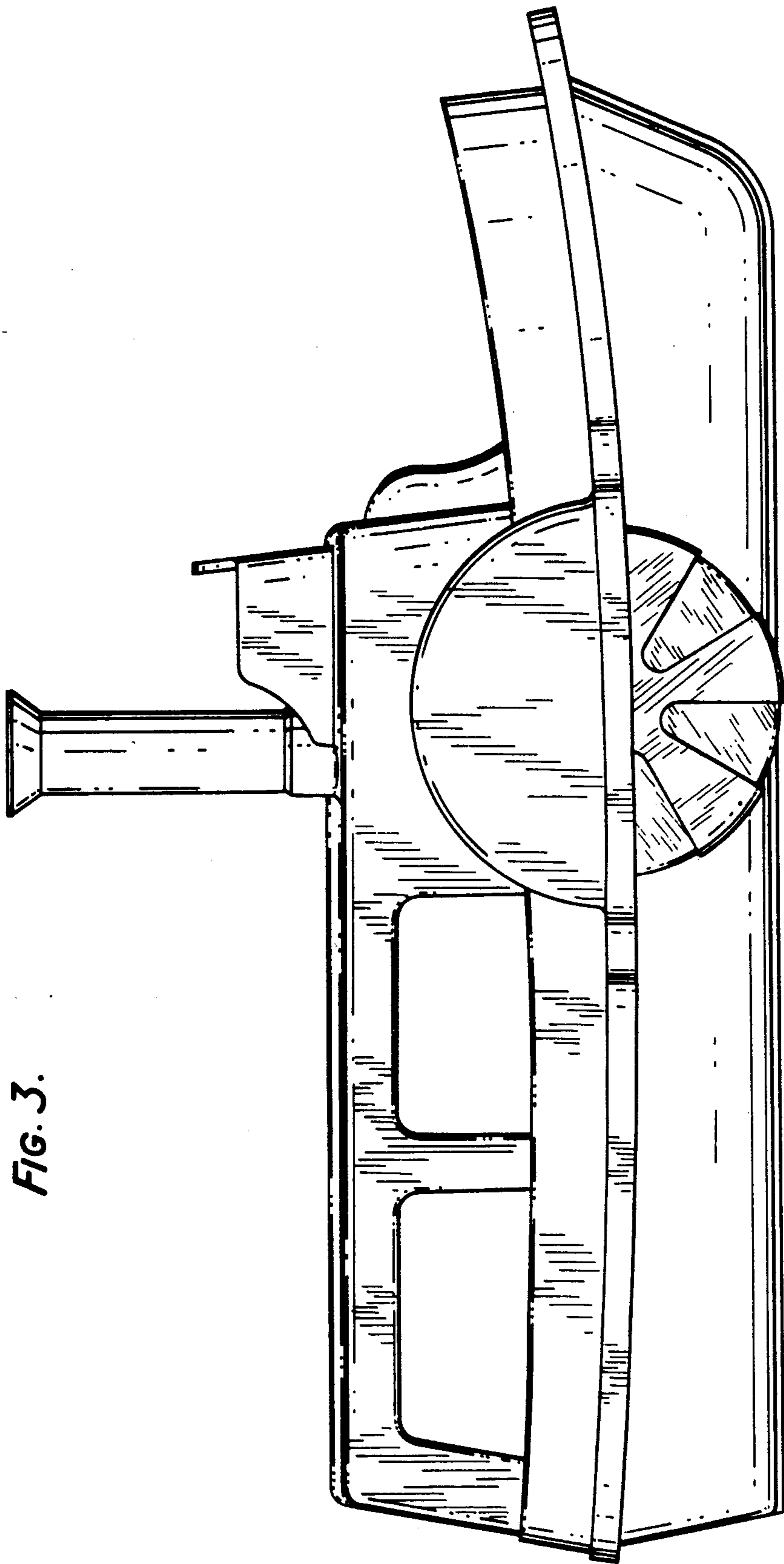
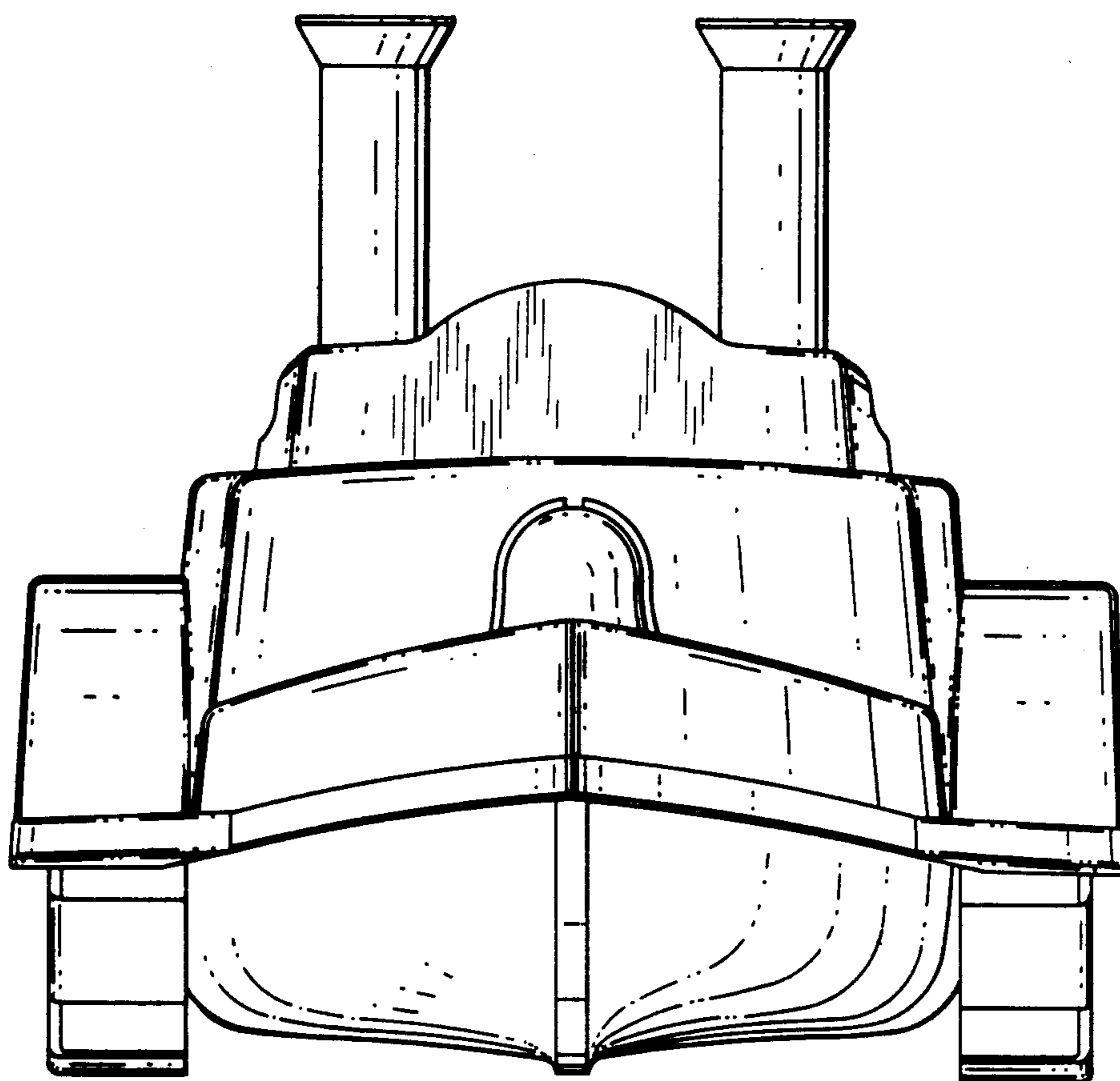


FIG. 3.

*FIG. 4.*



*FIG. 5.*

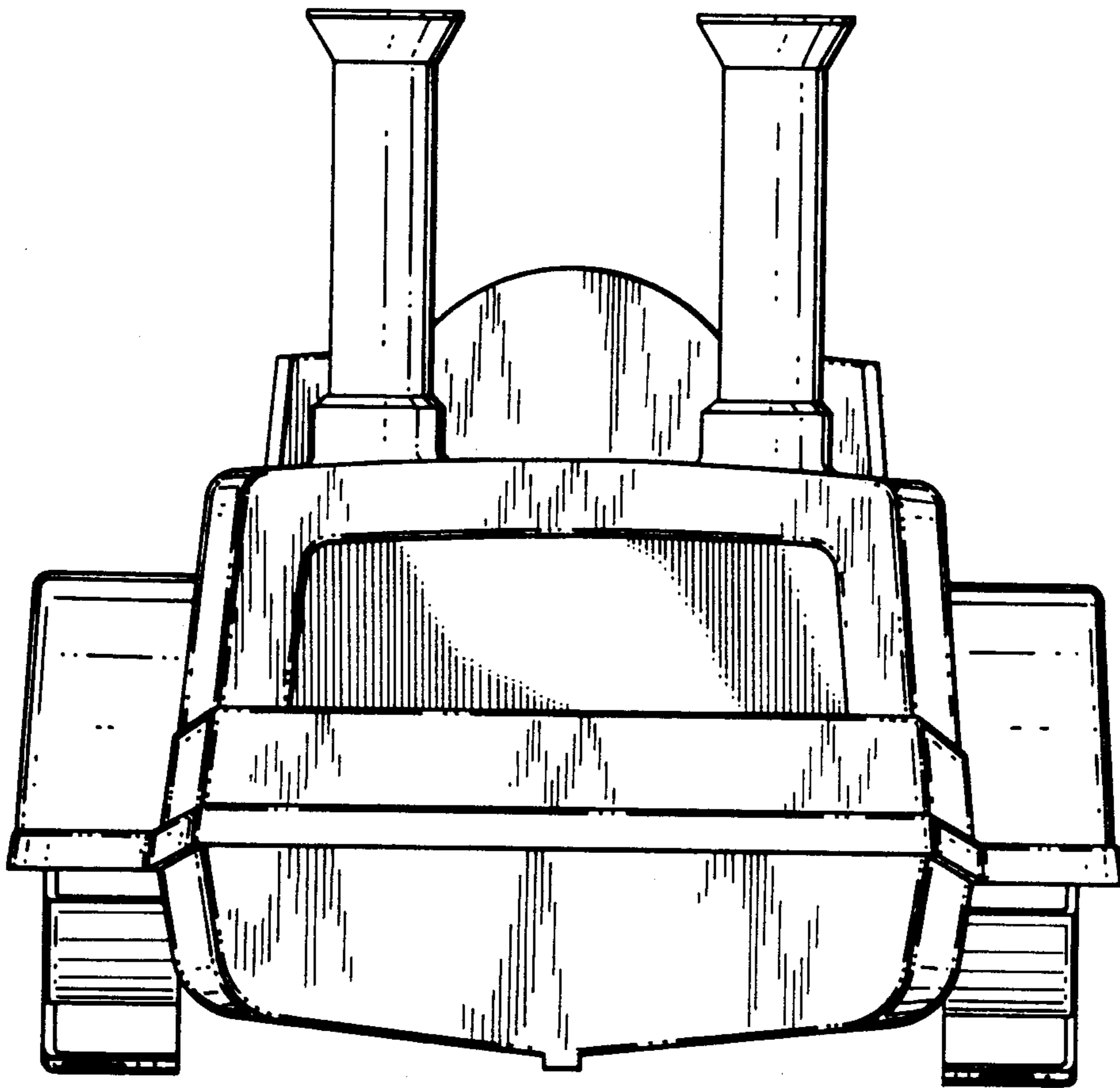


FIG. 6.

