

[54] **WRITING INSTRUMENT**

[75] Inventor: **Jean G. Malamoud**, Saint-Jorioz, France

[73] Assignee: **S. T. Dupont**, Paris, France

[**] Term: **14 Years**

[21] Appl. No.: **32,194**

[22] Filed: **Apr. 23, 1979**

[30] **Foreign Application Priority Data**

Oct. 24, 1978 [FR] France 78 41844

[51] Int. Cl. **D19-06**

[52] U.S. Cl. **D19/48; D19/51**

[58] Field of Search **D19/35, 36, 41-51, D19/56, 57**

[56] **References Cited**

U.S. PATENT DOCUMENTS

- D. 242,245 11/1976 Butler et al. D19/49
- D. 242,855 12/1976 Grinberg D19/49
- D. 245,852 9/1977 Carre D19/56

D. 247,501 3/1978 Malamoud D19/49

OTHER PUBLICATIONS

Fahrneys Cat. of Fine Writing Inst. 1977, p. 21, Item No. D65776.

Primary Examiner—George P. Word
Attorney, Agent, or Firm—Richard A. Wise

[57] **CLAIM**

The ornamental design for a writing instrument, substantially as shown and described.

DESCRIPTION

FIG. 1 is a front elevational view of a writing instrument showing my new design, shown with the writing point extended;

FIG. 2 is a front elevational view similar to FIG. 1, shown with the writing point retracted;

FIG. 3 is a right side elevational view thereof;

FIG. 4 is a rear elevational view thereof;

FIG. 5 is a top plan view thereof;

FIG. 6 is a bottom plan view thereof; and

FIG. 7 is a perspective view thereof.

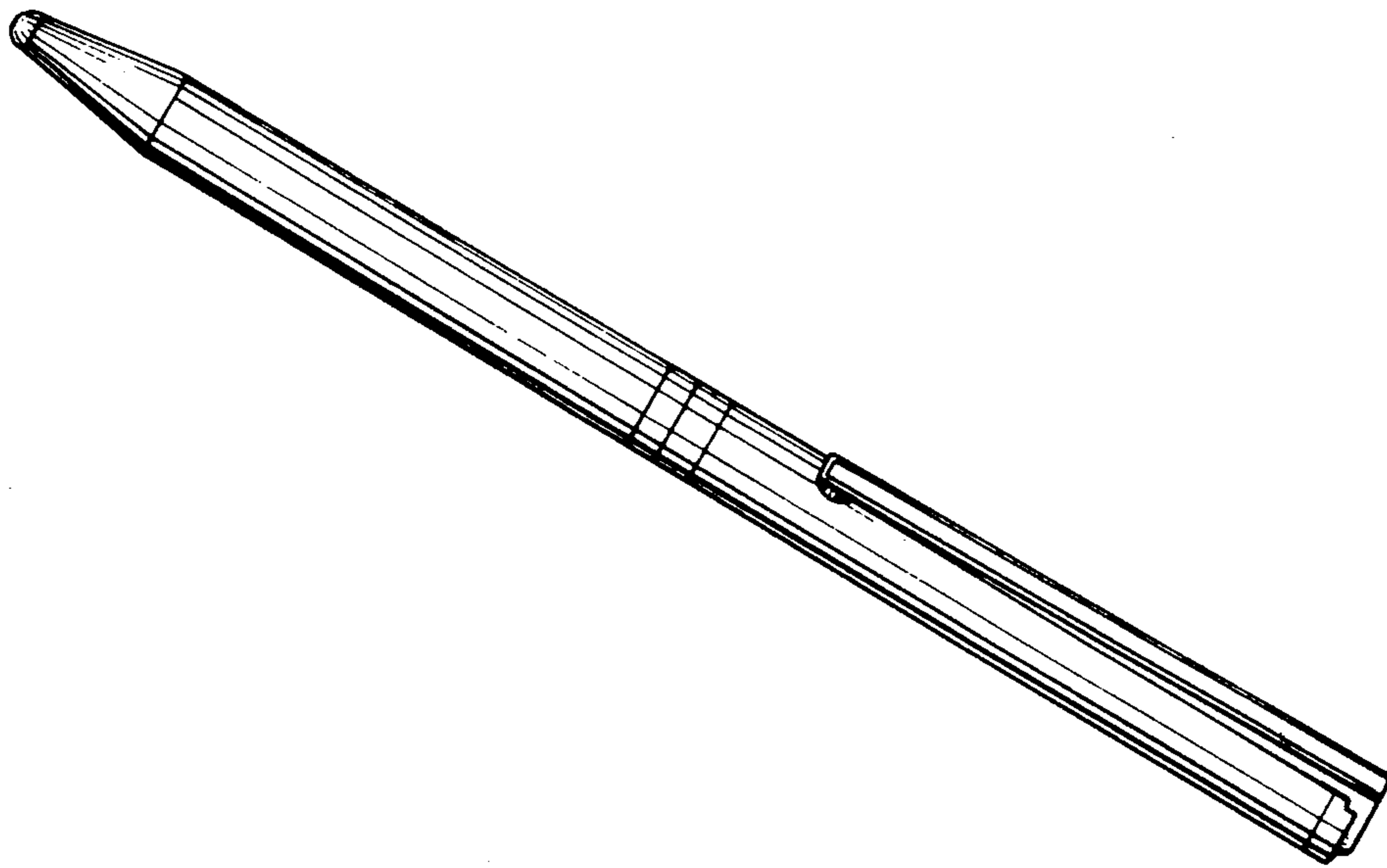


Fig. 1



Fig. 2

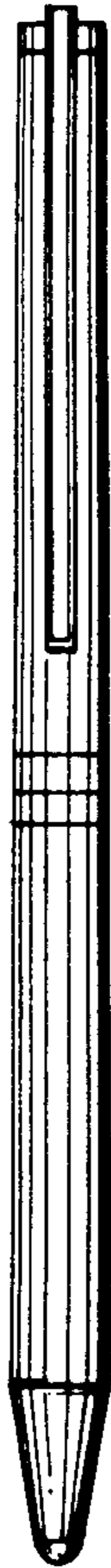


Fig. 3

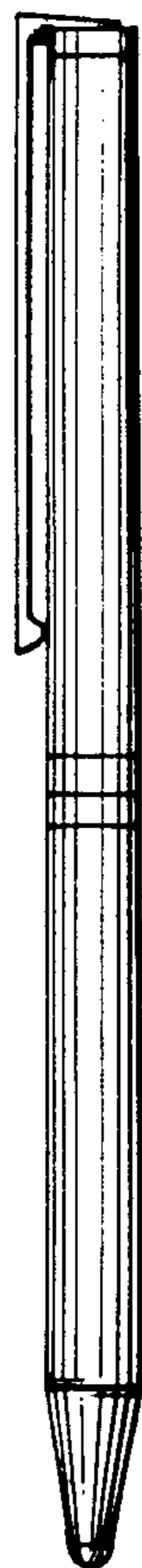


Fig. 4



Fig. 5



Fig. 6

Fig. 7

