

- [54] **COMBINED COFFEE BREWER AND WARMER**
- [76] Inventor: **William M. Bardeau**, 33 Harbour Sq., Suite 3218, Toronto, Ontario, Canada, M5J 2G2
- [**] Term: **14 Years**
- [21] Appl. No.: **900,059**
- [22] Filed: **Apr. 25, 1978**
- [51] Int. Cl. **D15-08**
- [52] U.S. Cl. **D15/113; D7/124**
- [58] Field of Search **D15/113, 112, 111, 92; D7/124, 61, 62**

D. 225,592 12/1972 Bardeau D15/113

OTHER PUBLICATIONS

Institutions Volume Feeding, vol. 79, No. 7, Oct. 1976, p. 145, lower right corner "Bunn-O-Matic".

Primary Examiner—Donald B. Moyer
Attorney, Agent, or Firm—Weldon F. Green

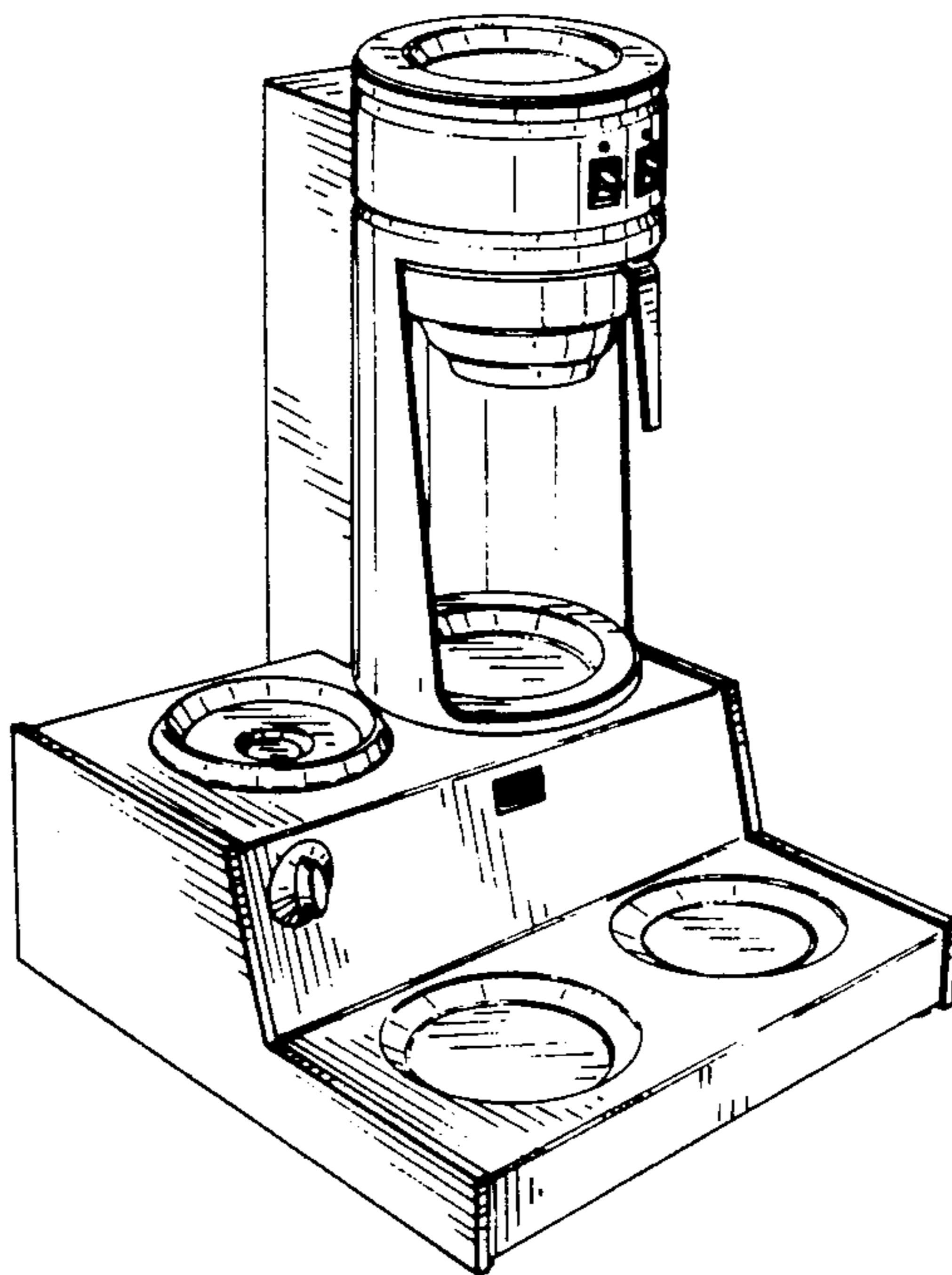
[57] **CLAIM**

The ornamental design for combined coffee brewer and warmer, as shown and described.

DESCRIPTION

FIG. 1 is a front perspective view of the combined coffee brewer and warmer showing my new design; FIG. 2 is a rear perspective view; FIG. 3 is a perspective view taken from the corner opposite to that shown in FIG. 2; and FIG. 4 is a bottom plan view thereof.

- [56] **References Cited**
- U.S. PATENT DOCUMENTS**
- D. 103,508 3/1937 Renner D7/61



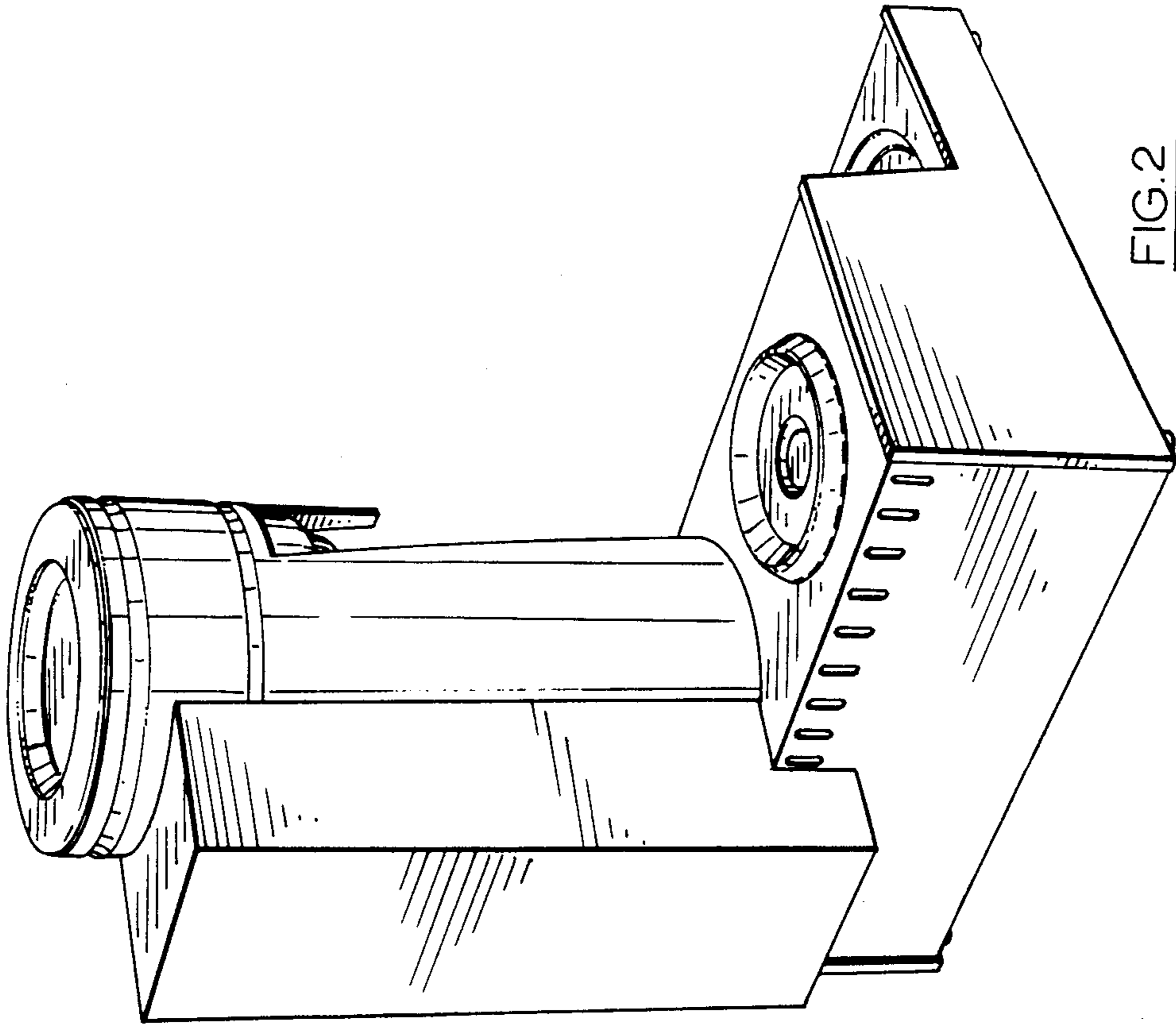


FIG. 2

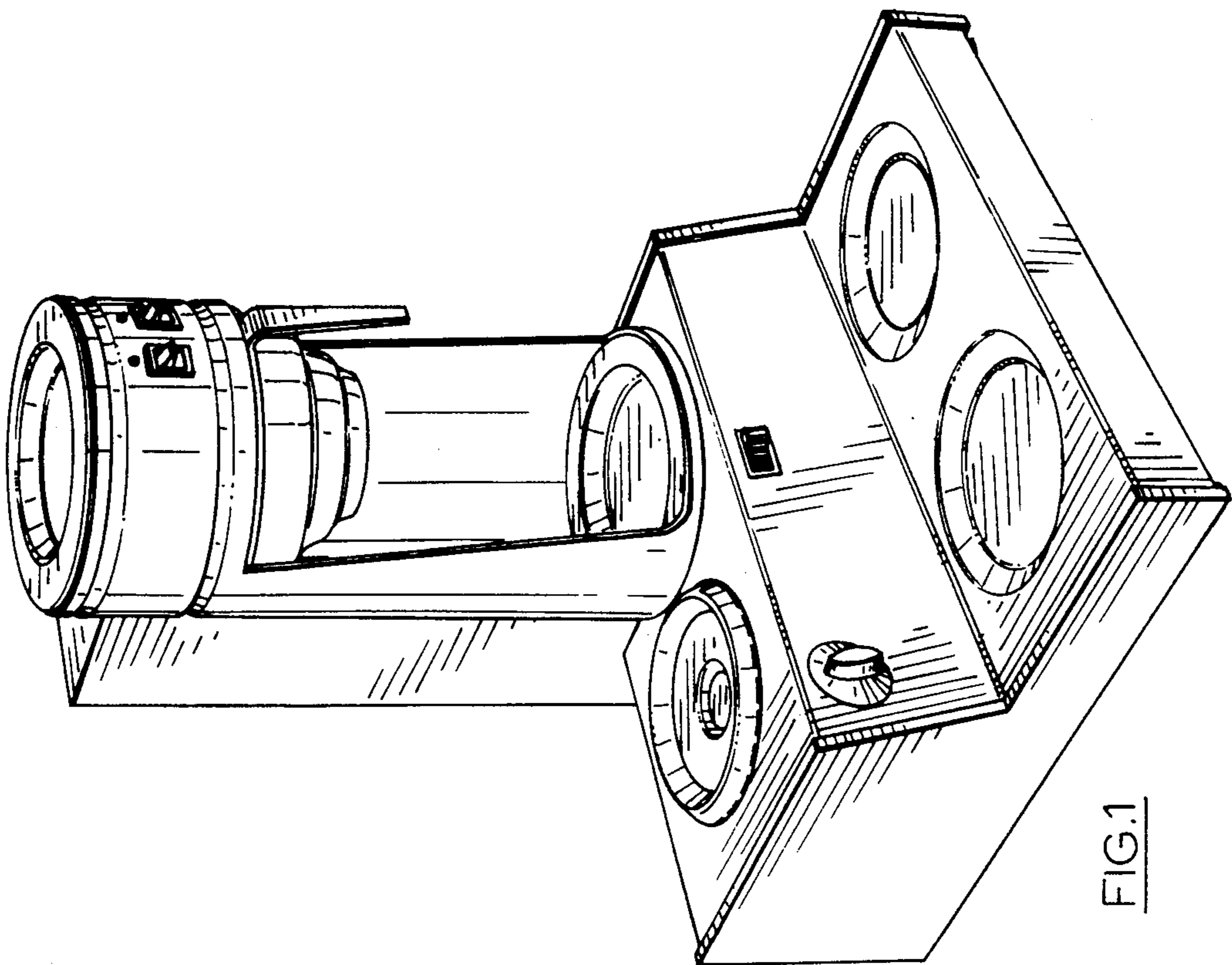


FIG. 1

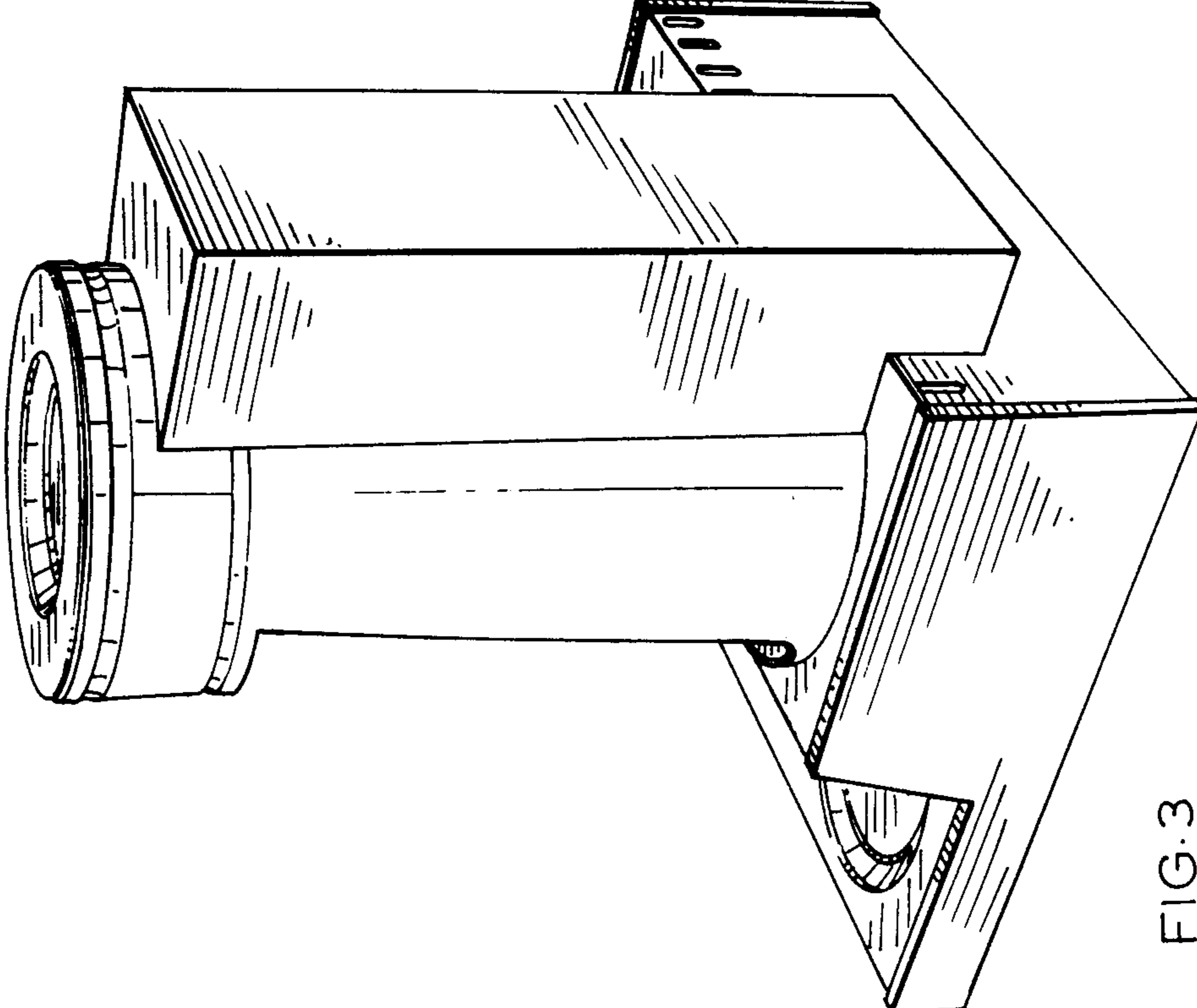


FIG. 3

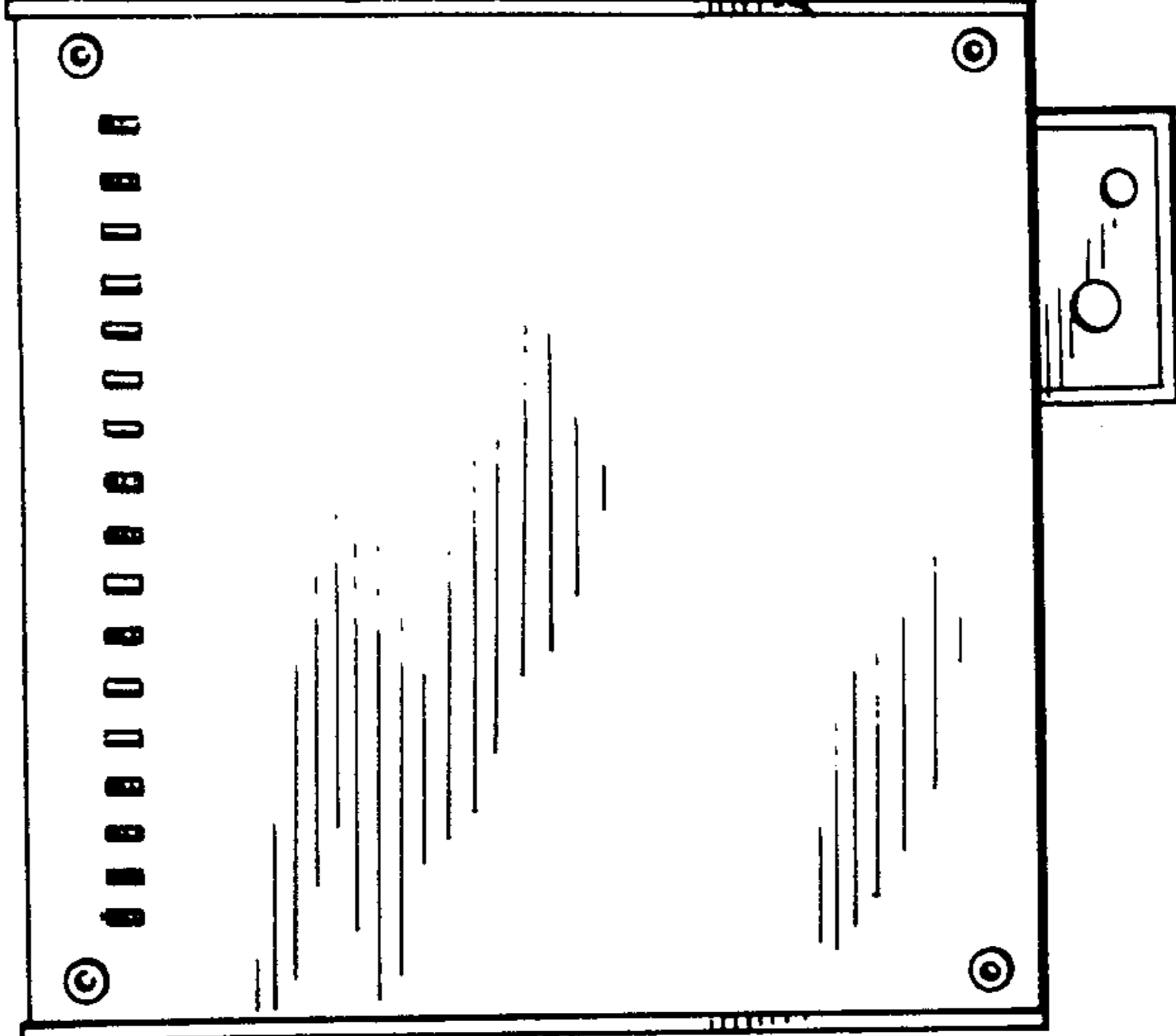


FIG. 4