

[54] CARPET CLEANING MACHINE

[75] Inventor: Fred E. Pearman, Jr., Anderson, S.C.

[73] Assignee: The Singer Company

[\*\*] Term: 14 Years

[21] Appl. No.: 870,954

[22] Filed: Jan. 19, 1978

[51] Int. Cl. .... D15-05

[52] U.S. Cl. .... D15/54

[58] Field of Search ..... D15/52, 53, 54, 55;  
15/320, 323, 325, 326, 327 R, 327 D, 327 E,  
339, 353

[56] References Cited

U.S. PATENT DOCUMENTS

D. 224,624 8/1972 Walz et al. .... D15/54  
D. 243,574 3/1977 Bartlett ..... D15/54

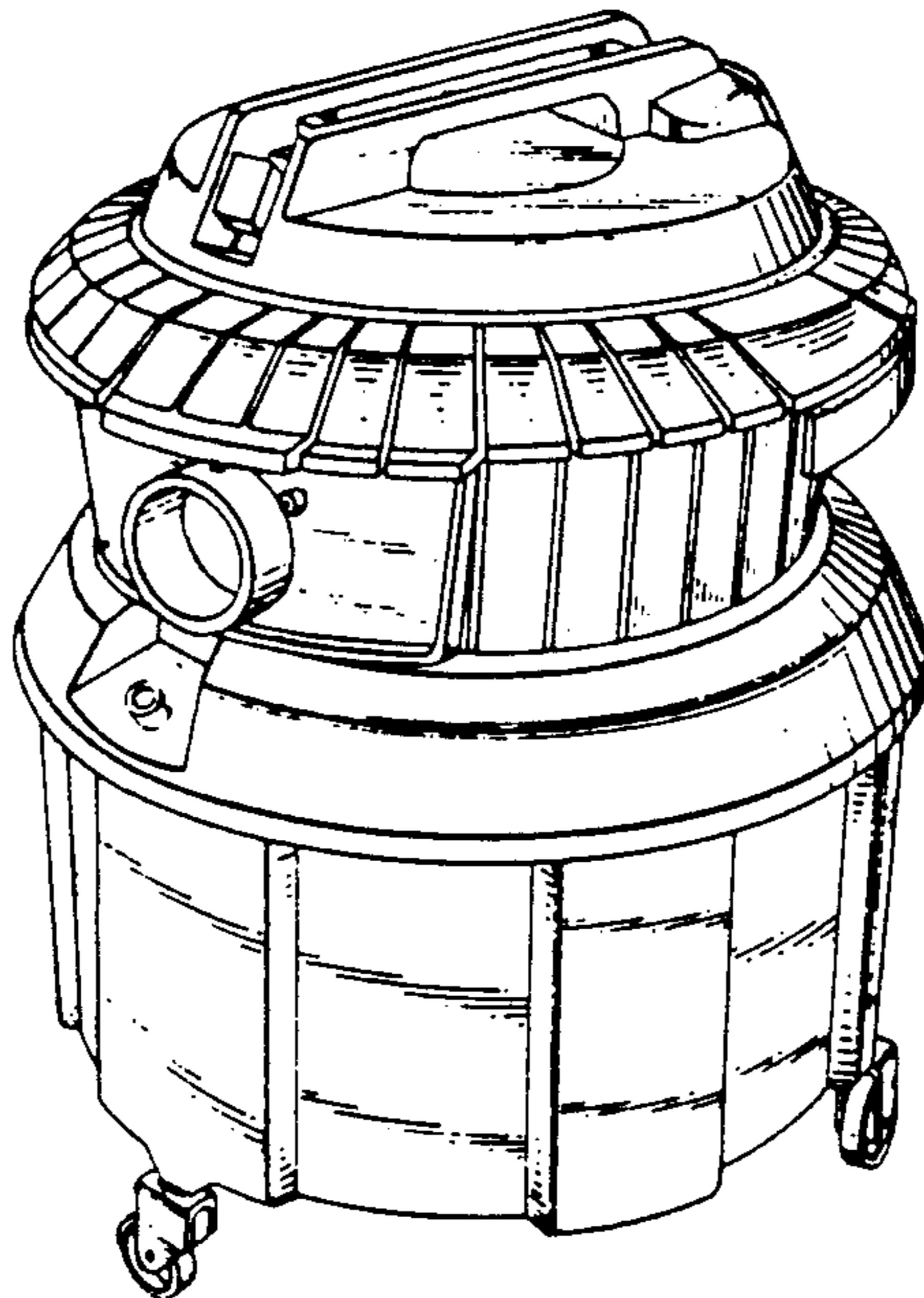
Primary Examiner—Catherine E. Kemper  
Attorney, Agent, or Firm—Alan Ruderman

[57] CLAIM

The ornamental design for a carpet cleaning machine, substantially as shown.

DESCRIPTION

FIG. 1 is a front perspective view of a carpet cleaning machine, showing my new design; FIG. 2 is a rear perspective view thereof; and FIG. 3 is a top plan view thereof.



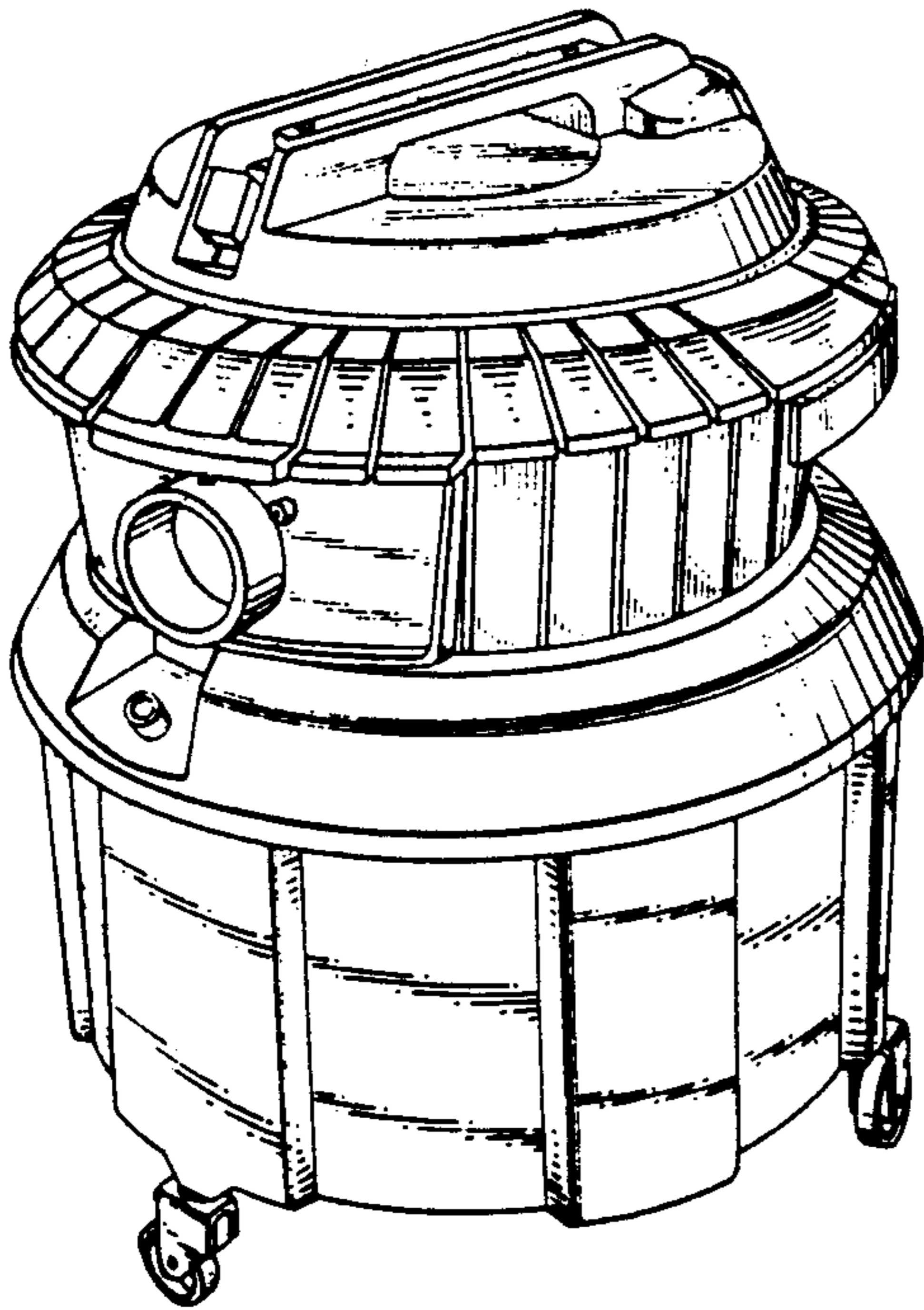


Fig. 1

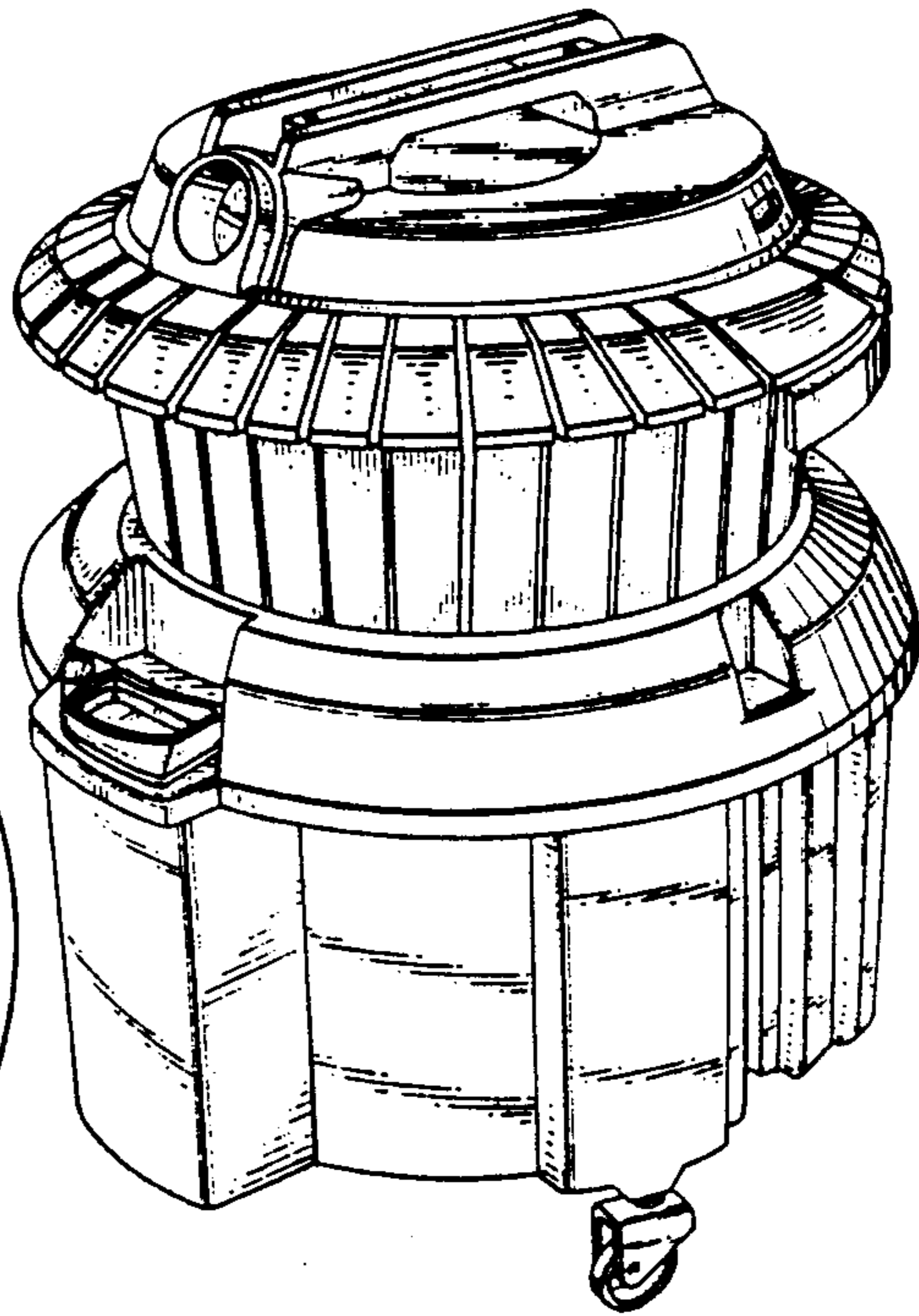


Fig. 2

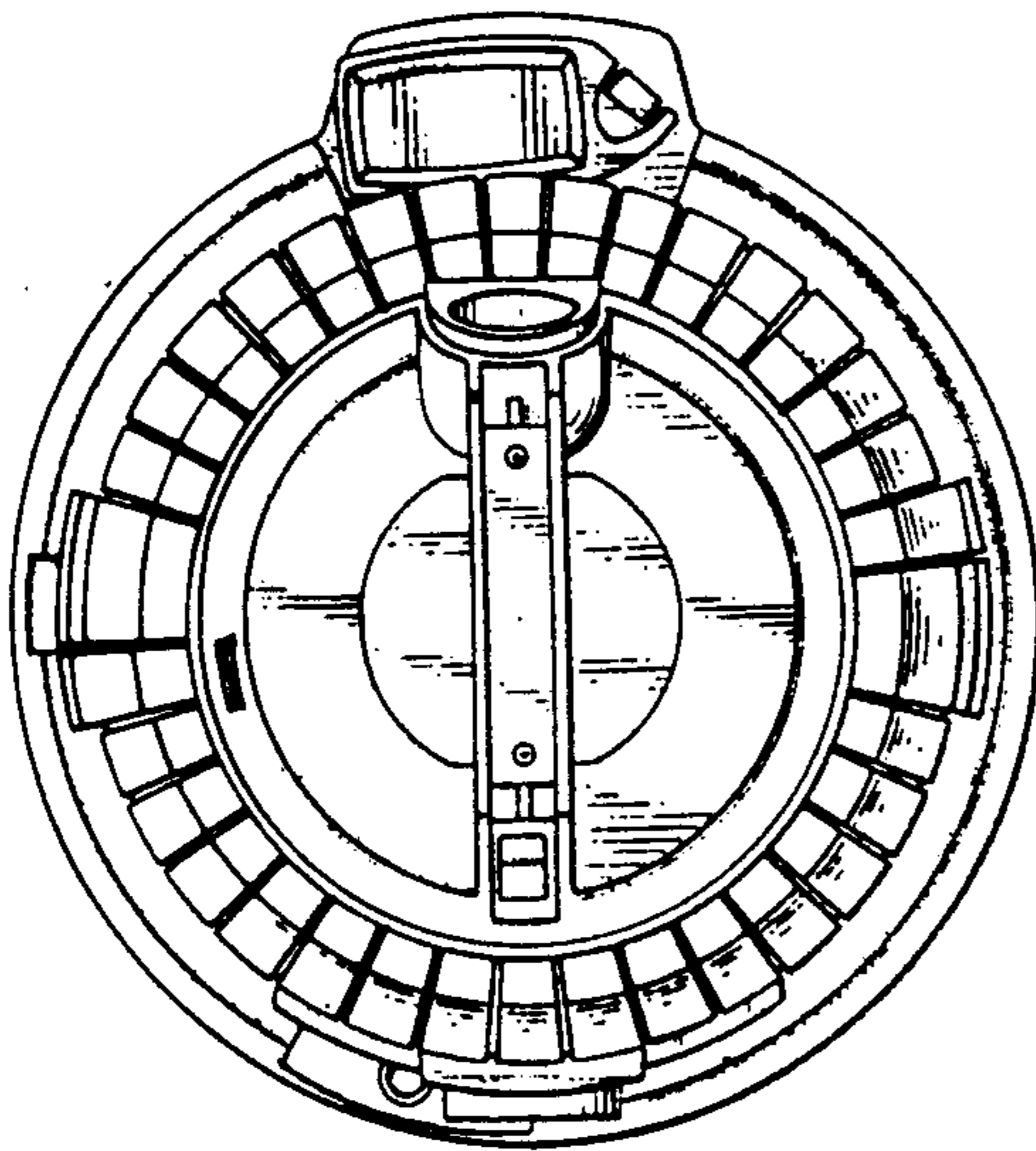


Fig. 3