

[54] **GLOBOID-WORM COMPRESSOR**

[75] Inventors: **Cassius F. Whitehill**, Hudson;
Ghanshyam C. Patel, Solon, both of
Ohio; **Robert D. Whitehill**, Franklin,
Pa.

[73] Assignee: **Chicago Pneumatic Tool Company**,
New York, N.Y.

[**] Term: **14 Years**

[21] Appl. No.: **924,905**

[22] Filed: **Jul. 14, 1978**

[51] Int. Cl. **D15-02**

[52] U.S. Cl. **D15/9**

[58] Field of Search **D15/7-9;**
418/195

D. 194,816	3/1963	Sawyer	D15/9
D. 195,534	6/1963	Yokota et al.	D15/7
D. 202,835	11/1965	Bennett	D15/7
3,804,564	4/1974	Zimmern	418/195
3,862,623	1/1975	Ehlert	418/195 X
3,902,827	9/1975	Shibbye	418/98 X
3,905,731	9/1975	Zimmern	418/195
4,036,567	7/1977	Sato	418/195 X
4,179,250	12/1979	Patel	418/195

Primary Examiner—James R. Largen
Attorney, Agent, or Firm—Stephen J. Rudy

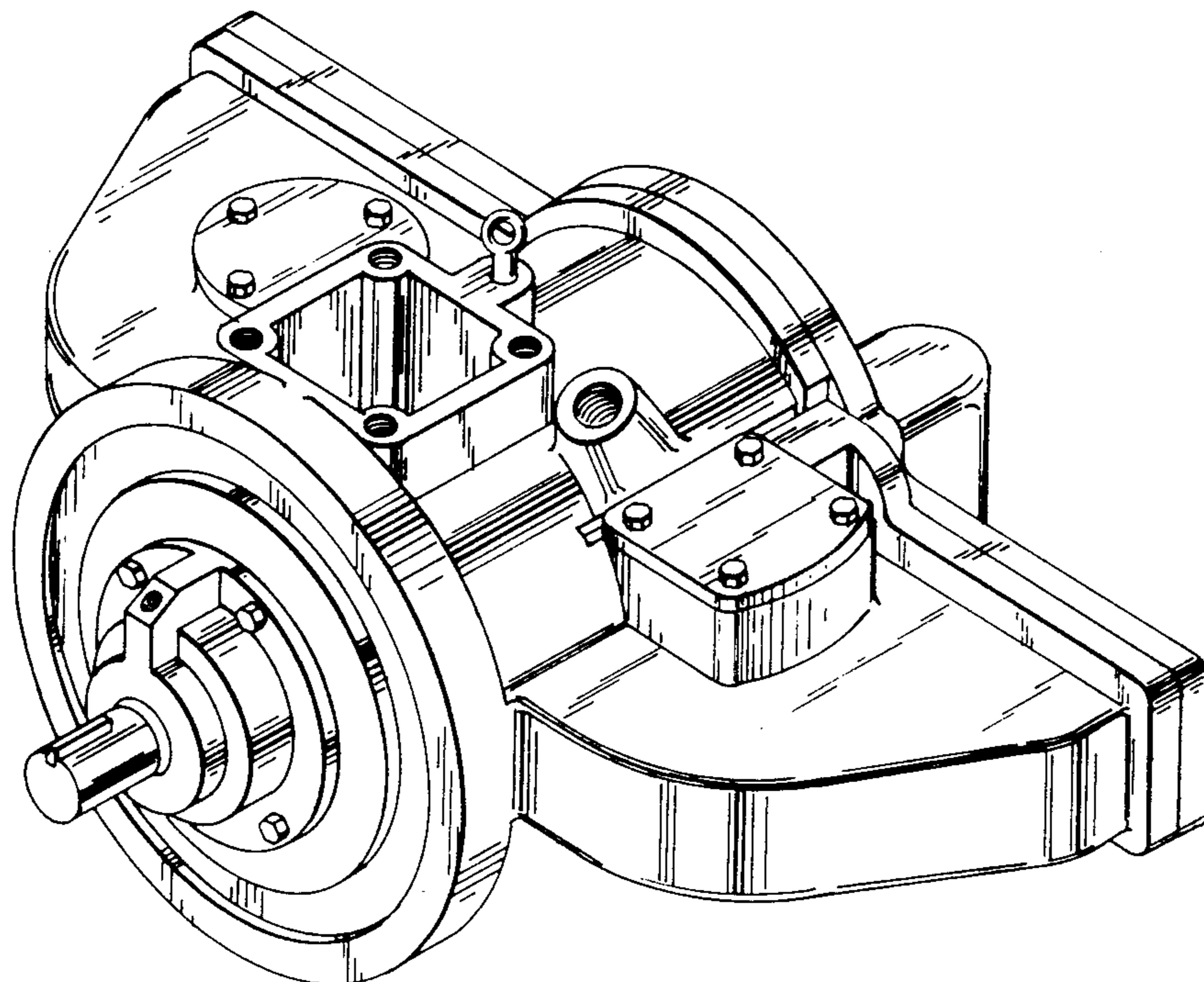
[57] **CLAIM**

The ornamental design for a globoid-worm compressor, as shown and described.

DESCRIPTION

FIG. 1 is a perspective view taken from the front, top and right side of a globoid-worm compressor embodying our new design; and FIG. 2 is a perspective view taken from the rear, bottom and left side thereof.

[56] **References Cited**
U.S. PATENT DOCUMENTS
D. 178,962 10/1956 Johnson D15/9



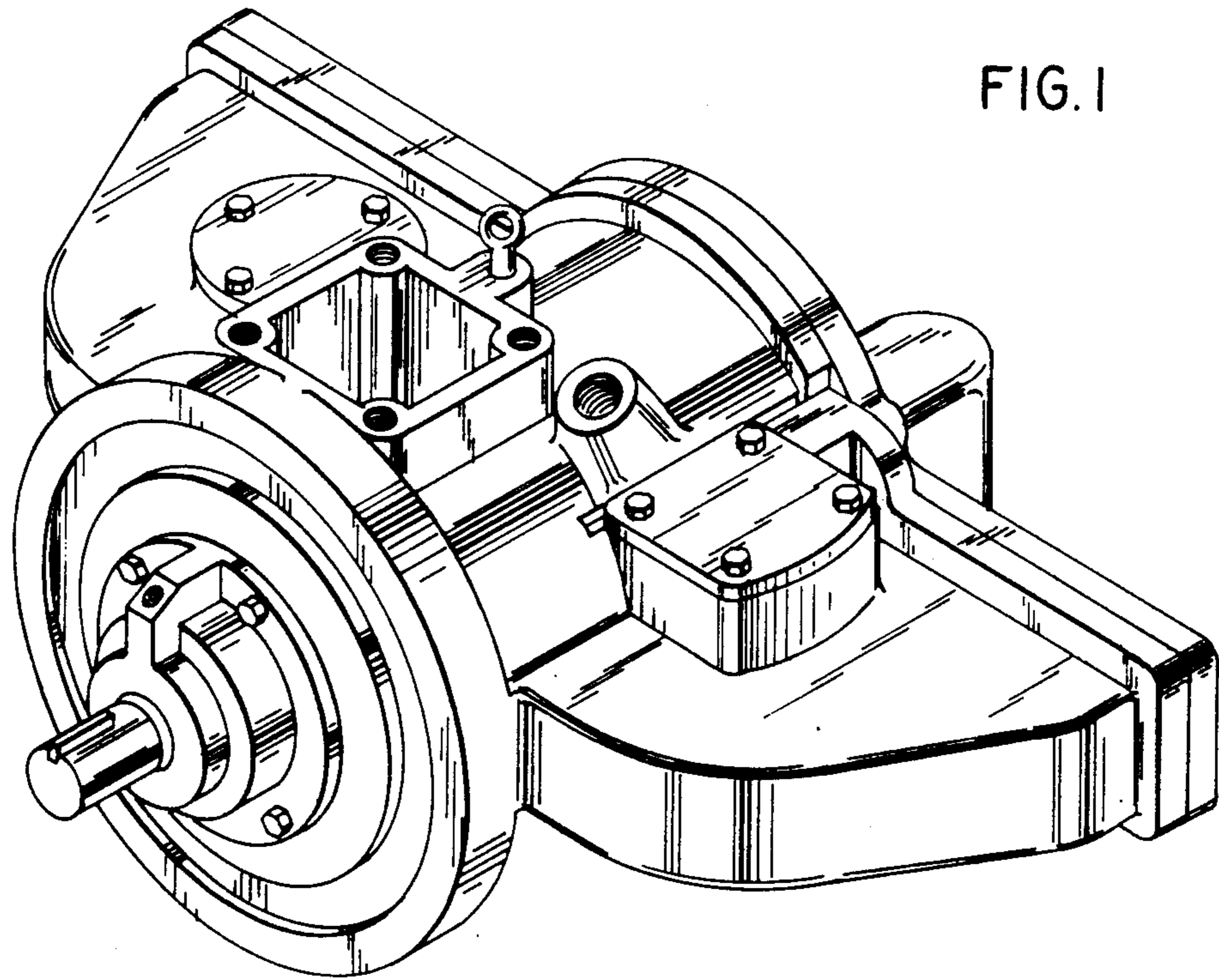


FIG. 1

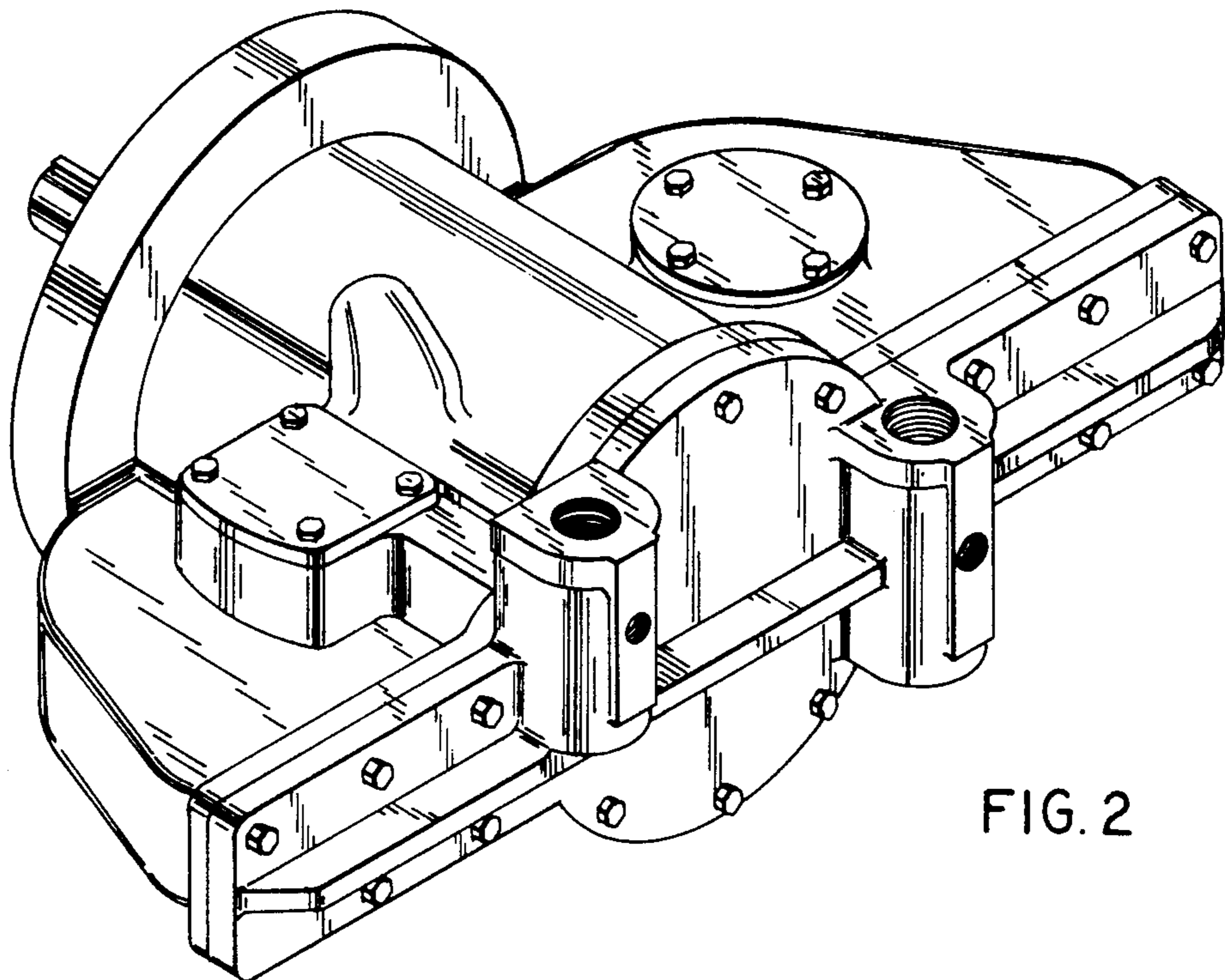


FIG. 2