

- [54] **PASSBOOK PRINTER**
- [75] Inventor: **Owen P. Shea**, Woodstock, N.Y.
- [73] Assignee: **International Business Machines Corporation**, Armonk, N.Y.
- [**] Term: **14 Years**
- [21] Appl. No.: **953,820**
- [22] Filed: **Oct. 23, 1978**
- [51] Int. Cl. **D14-02**
- [52] U.S. Cl. **D14/50**
- [58] Field of Search **D14/40-50;**
D18/11, 13, 18, 22, 23; 400/61, 62, 70-76, 691,
693

- [56] **References Cited**
- U.S. PATENT DOCUMENTS
- 3,490,572 1/1970 Smith 400/70 X
- Primary Examiner*—Susan J. Lucas
- Attorney, Agent, or Firm*—K. O. Hesse

[57] **CLAIM**

The ornamental design for a passbook printer, as shown.

DESCRIPTION

FIG. 1 is a top right and front perspective view of a passbook printer showing my new design.
 FIG. 2 is a top left and rear perspective view thereof.

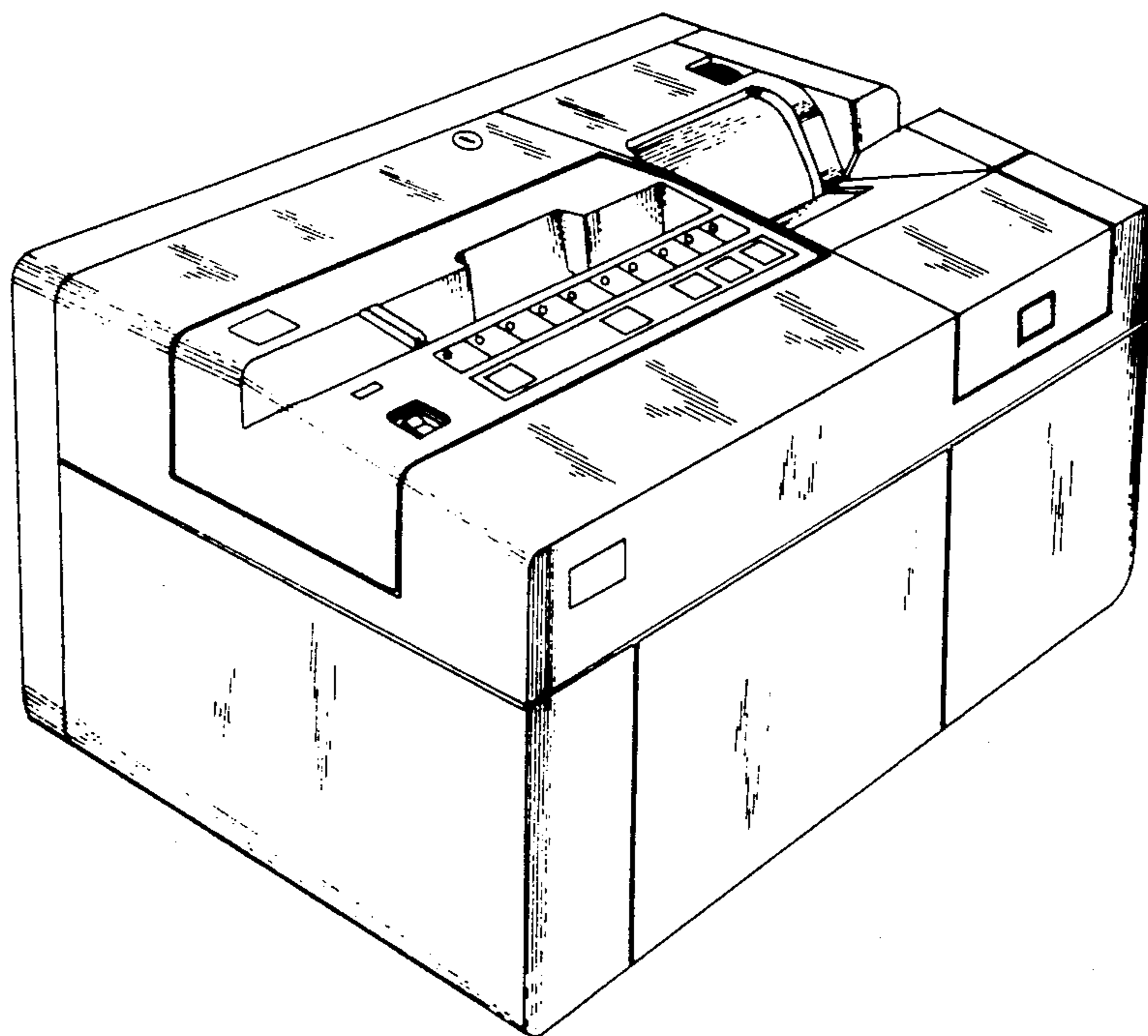


FIG. 1

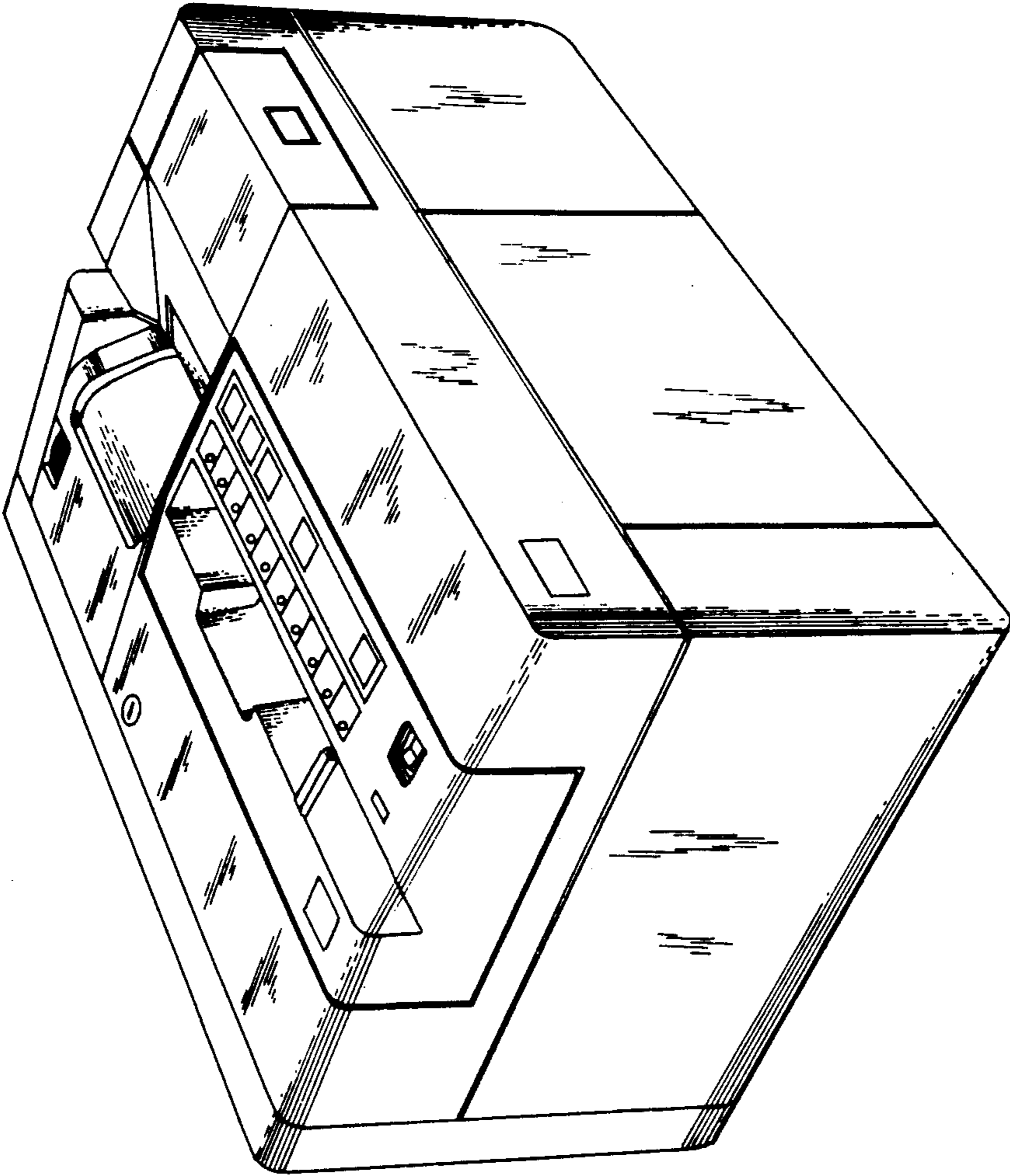


FIG. 2

