

[54] DICTATING APPARATUS

[75] Inventor: Gerhard Dietrich, Nuremberg, Fed. Rep. of Germany

[73] Assignee: Grundig Aktiengesellschaft, Fed. Rep. of Germany

[**] Term: 14 Years

[21] Appl. No.: 938,530

[22] Filed: Aug. 31, 1978

[30] Foreign Application Priority Data

Mar. 3, 1978 [DE] Fed. Rep. of Germany 7448

[51] Int. Cl. D14-01

[52] U.S. Cl. D14/3; D14/6

[58] Field of Search D14/3, 6; 360/79, 107, 360/101, 134, 82; 274/17, 21, 5; 179/100.1 DR; 346/134

[56]

References Cited

U.S. PATENT DOCUMENTS

D. 197,649	3/1964	Ilenin	D14/3
D.199,189	9/1964	Bloom	D14/3
D. 230,606	3/1974	Wiklund et al.	D14/3
D. 249,038	8/1978	Walz	D14/3
3,306,989	2/1967	Smithberg et al.	360/82
3,771,164	11/1973	Bolick, Jr.	346/134

Primary Examiner—Bernard Ansher
Attorney, Agent, or Firm—Eric H. Waters

[57]

CLAIM

The ornamental design for a dictating apparatus, as shown.

DESCRIPTION

FIG. 1 is a perspective view of the recording apparatus of my new design;
FIG. 2 is a side elevational view;
FIG. 3 is a top plan view;
FIG. 4 is a front view;
FIG. 5 is a rear view; and
FIG. 6 is a bottom plan view.

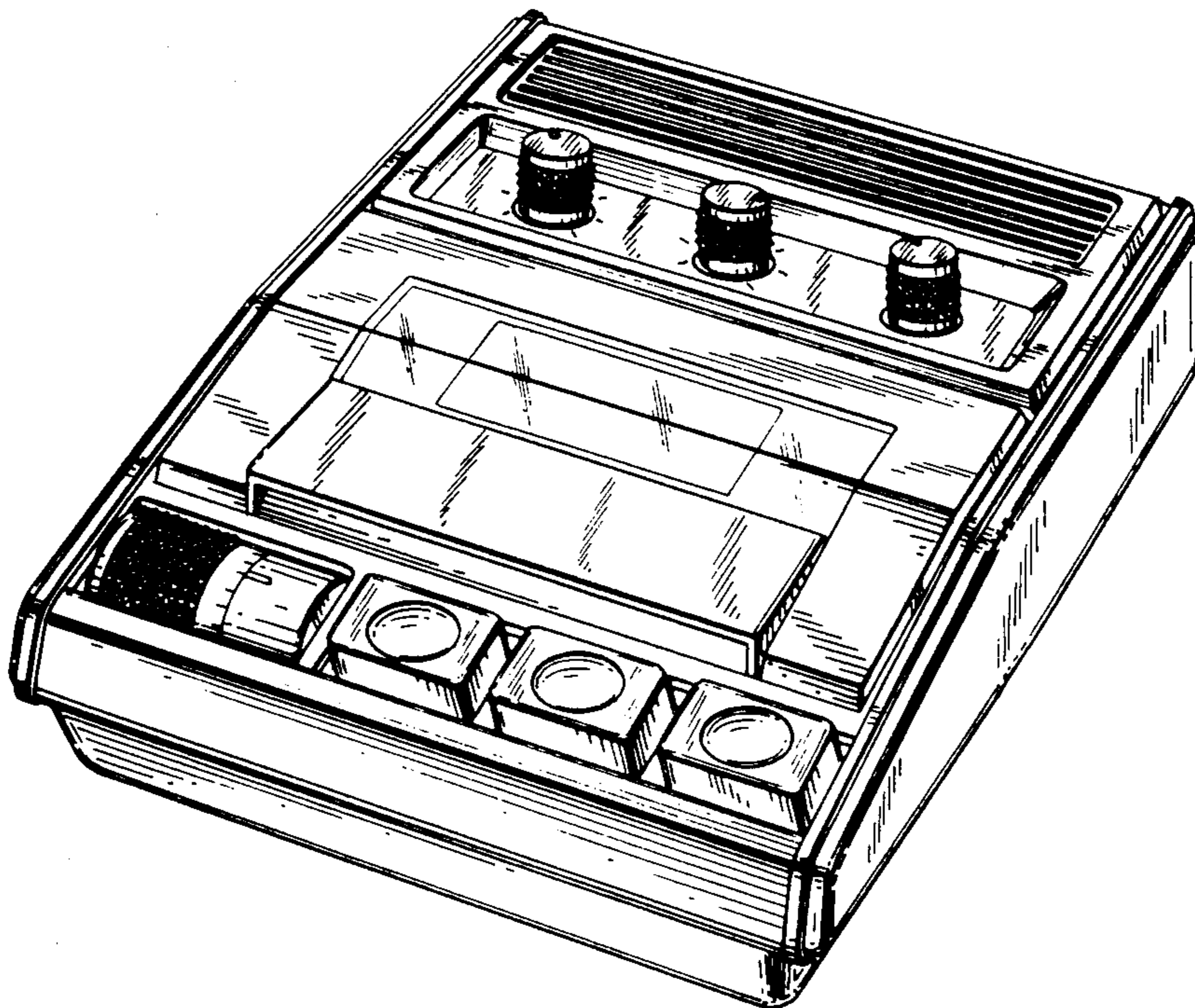


FIG. 1

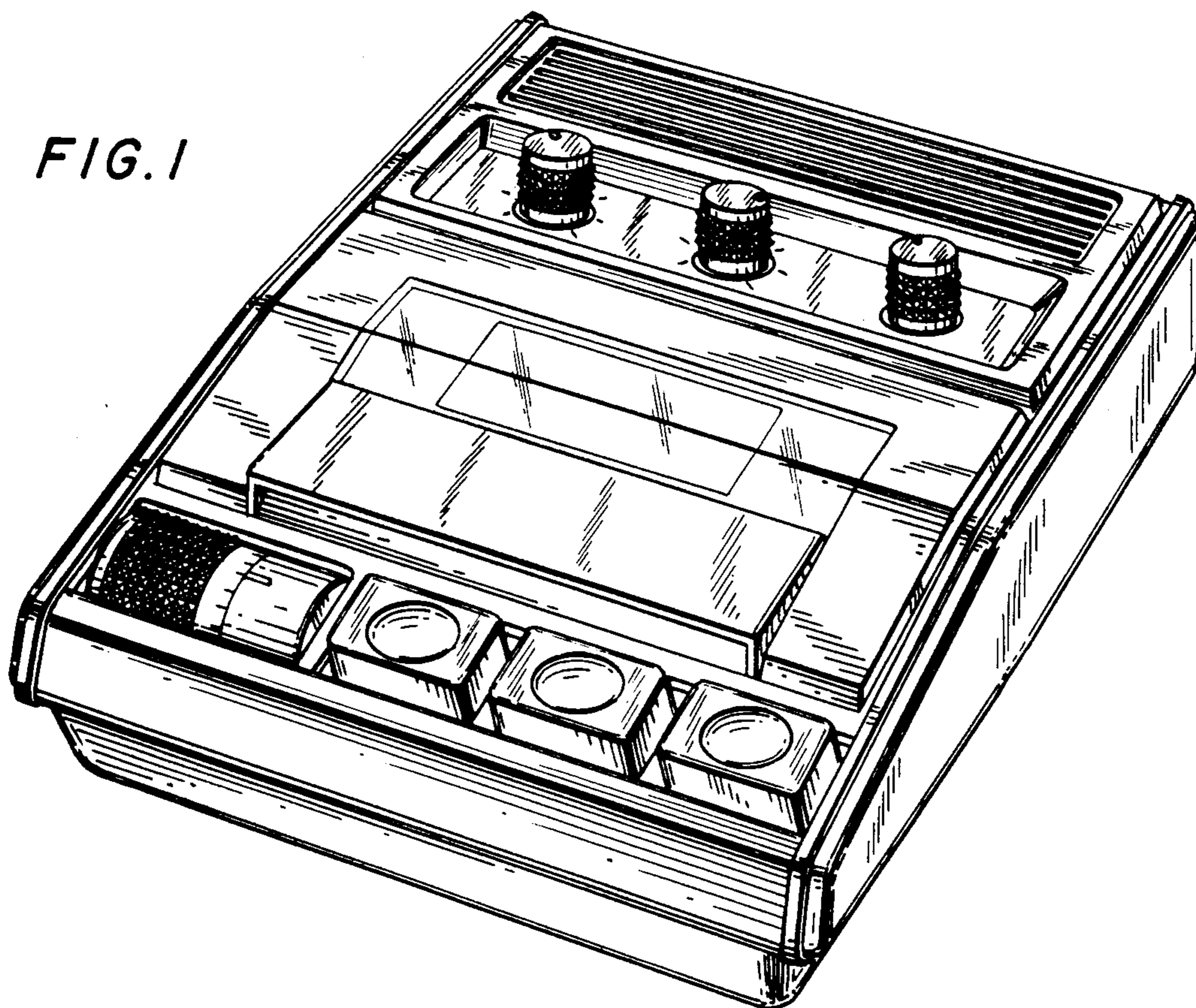


FIG. 2

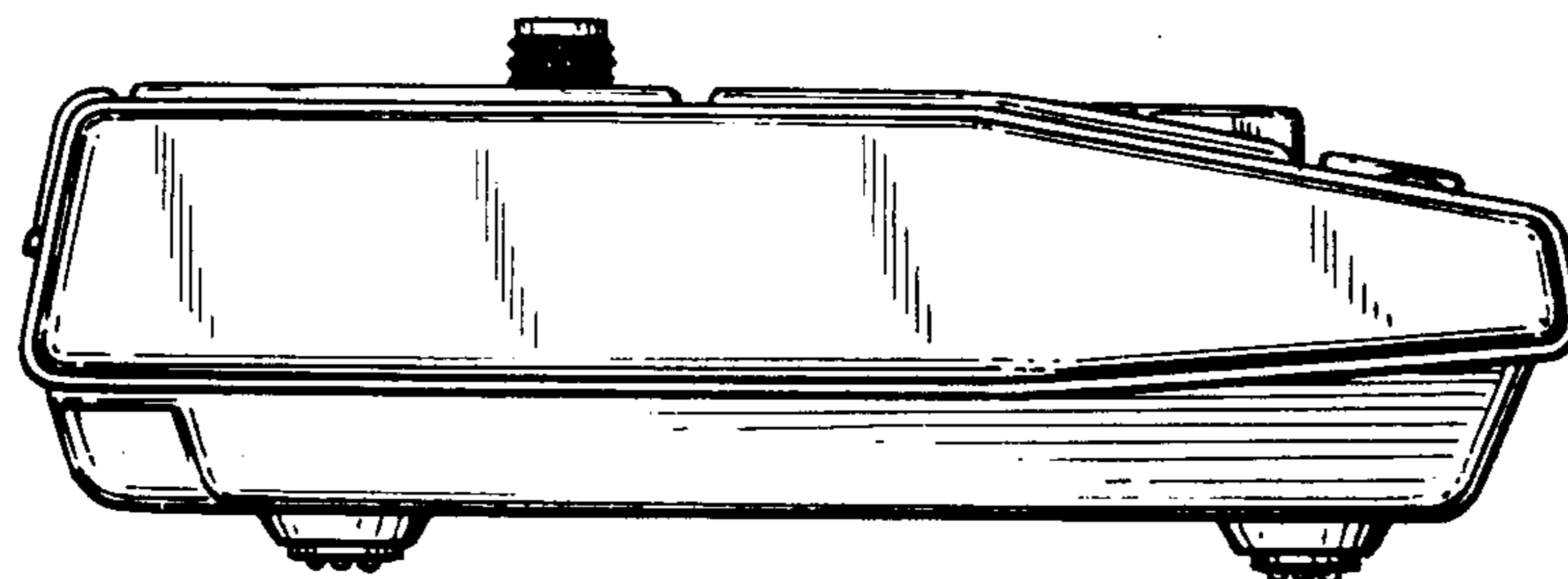


FIG. 3

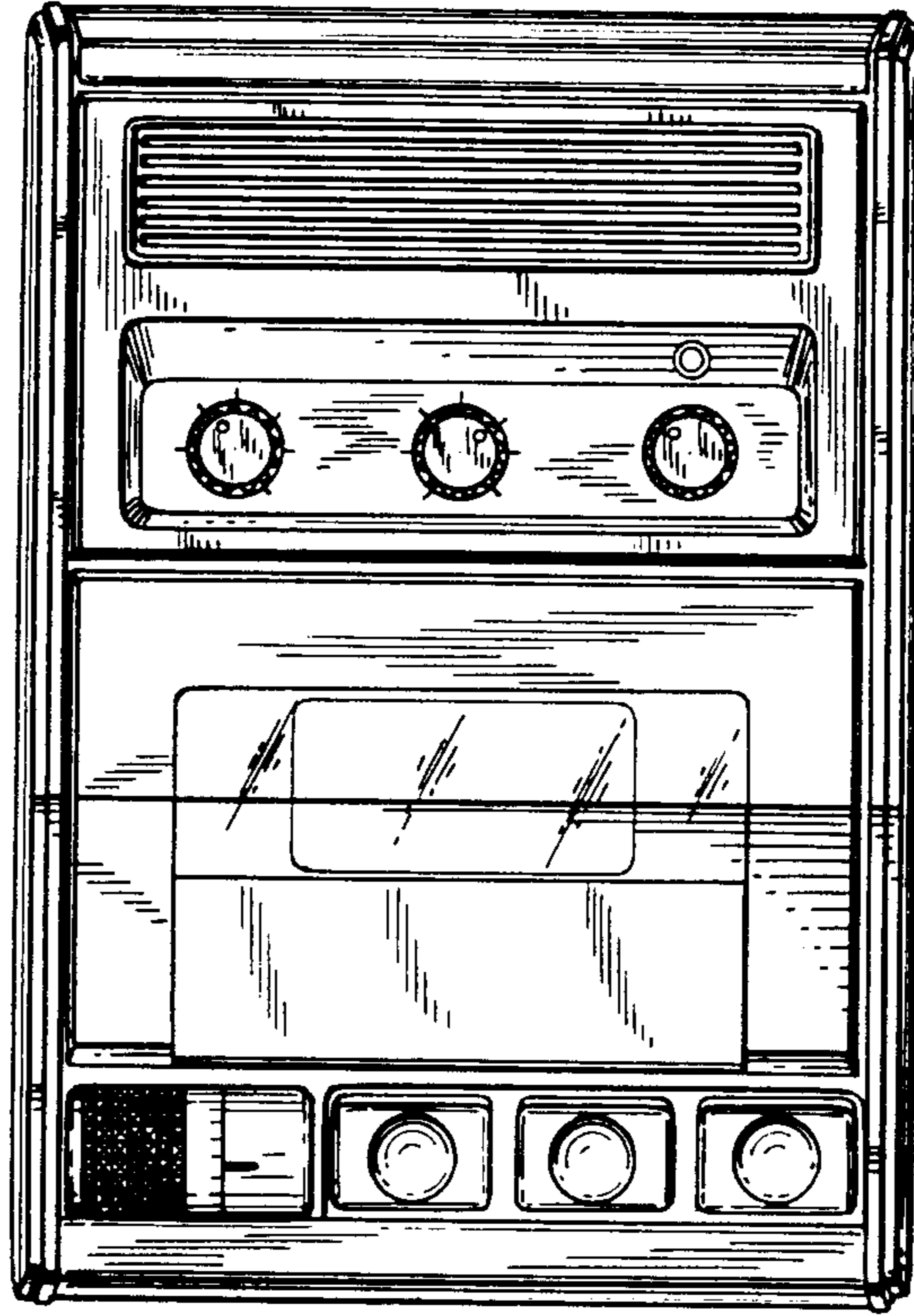


FIG. 4

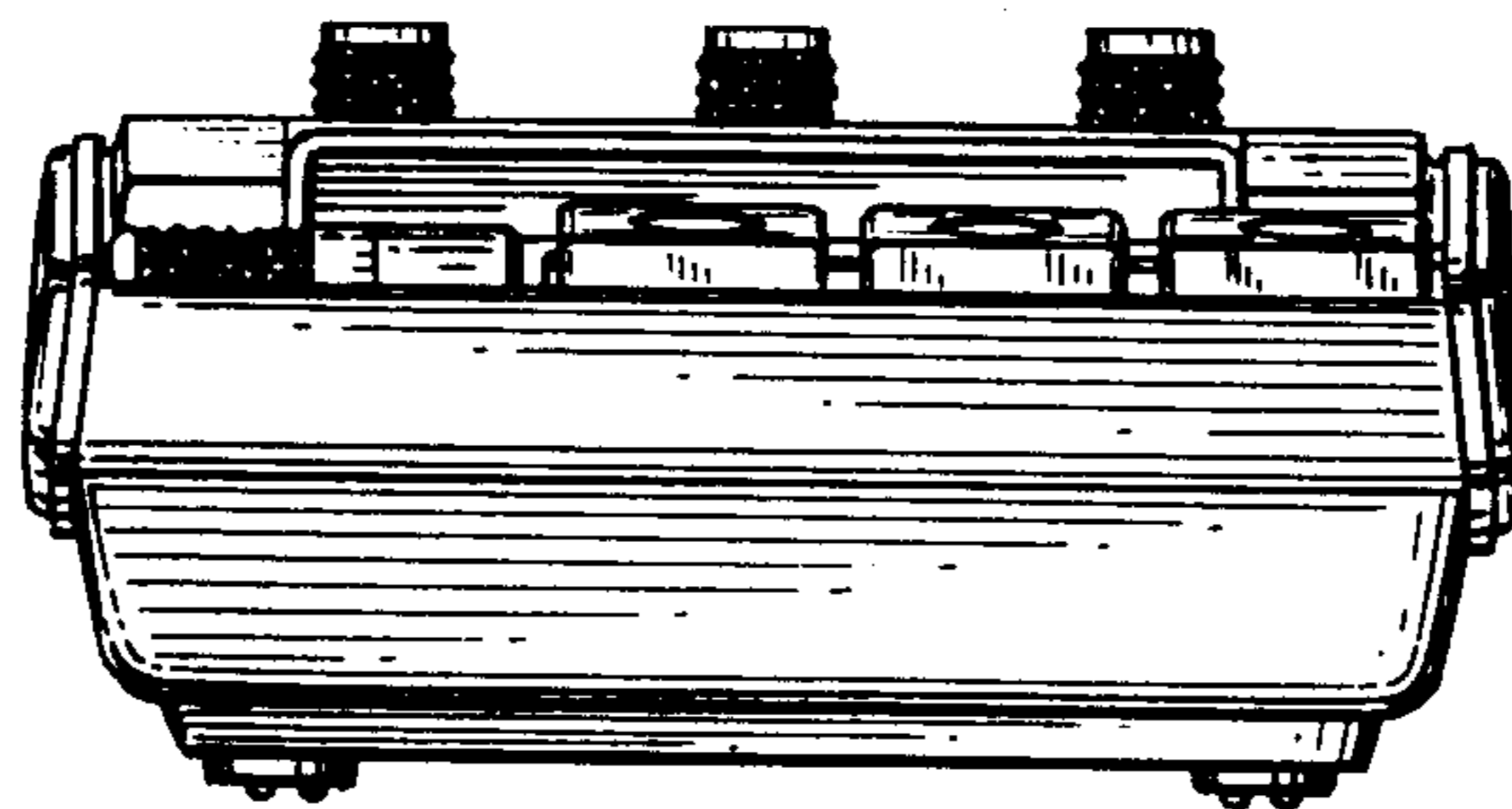


FIG. 5

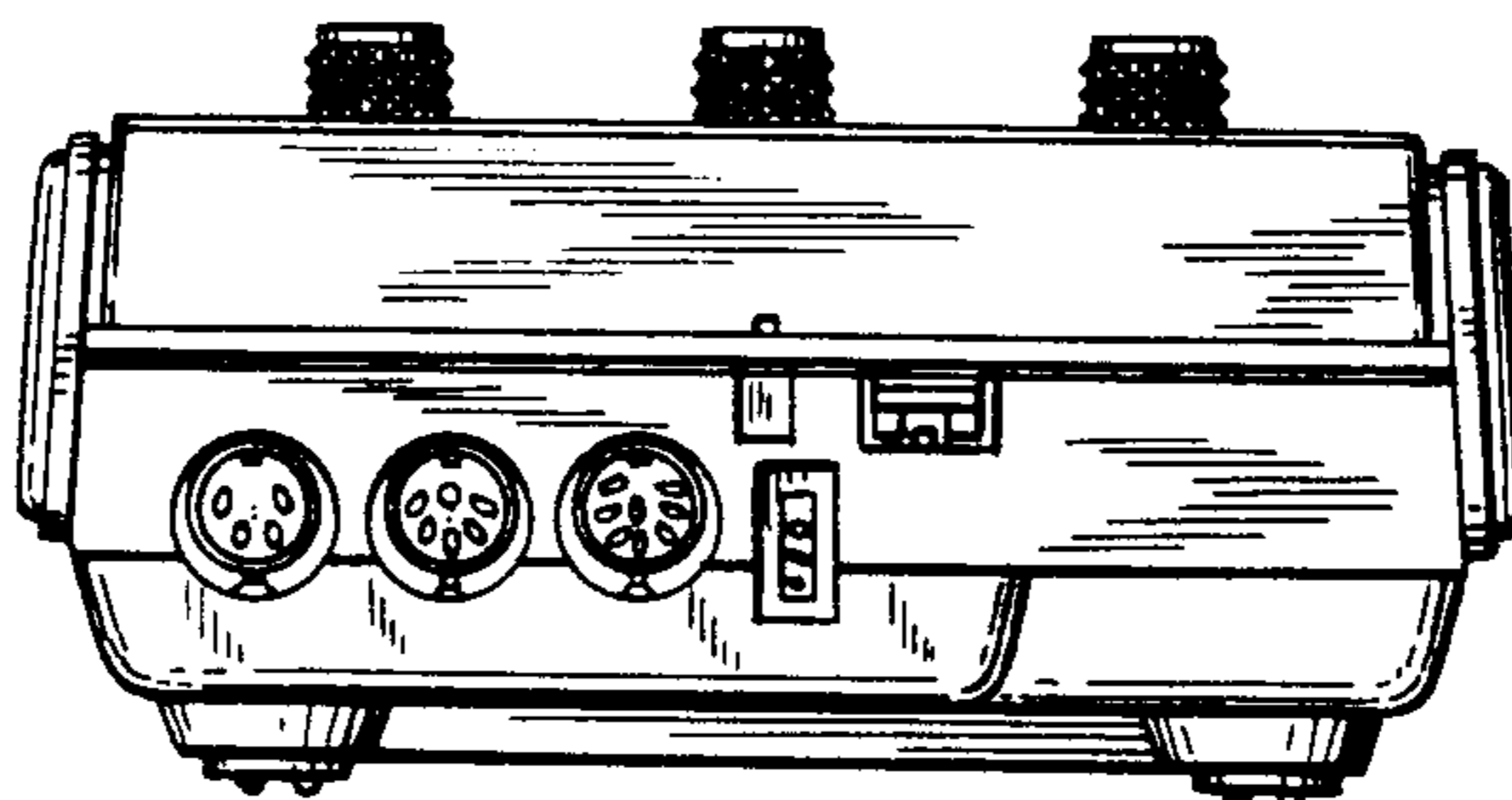


FIG. 6

