

[54] **KNIFE WITH BREAKABLE BLADES**

[75] **Inventor:** Bernard Grégoire, Berthierville,  
Canada

[73] **Assignee:** A. Richard Ltée, Berthierville,  
Canada

[\*\*] **Term:** 14 Years

[21] **Appl. No.:** 911,675

[22] **Filed:** Jun. 1, 1978

[51] **Int. Cl.** ..... D08—03

[52] **U.S. Cl.** ..... D8/99

[58] **Field of Search** ..... D8/99; 30/151, 158,  
30/162, 156, 320, 340

[56] **References Cited**

**U.S. PATENT DOCUMENTS**

4,063,356 12/1977 Hepworth ..... 30/320  
4,103,421 8/1978 Quenot ..... 30/320

*Primary Examiner*—W. Stallard

[57] **CLAIM**

The ornamental design for a knife with breakable blades, substantially as shown.

**DESCRIPTION**

FIG. 1 is a perspective view of a knife with breakable blades showing my new design;

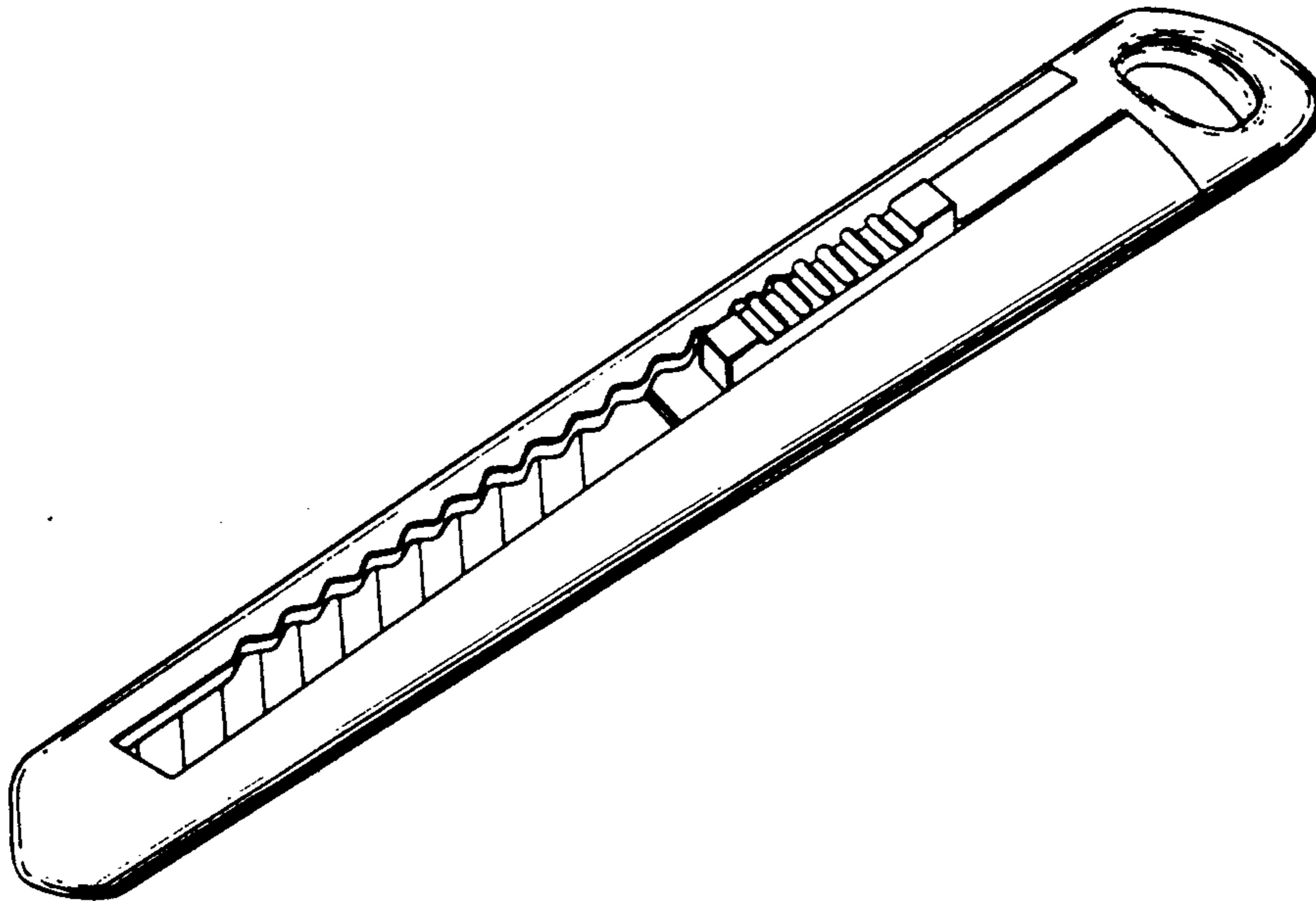
FIG. 2 is a top plan view thereof;

FIG. 3 is a bottom plan view thereof;

FIG. 4 is a rear elevational view thereof;

FIG. 5 is a right side elevational view thereof; and

FIG. 6 is a left side elevational view thereof.



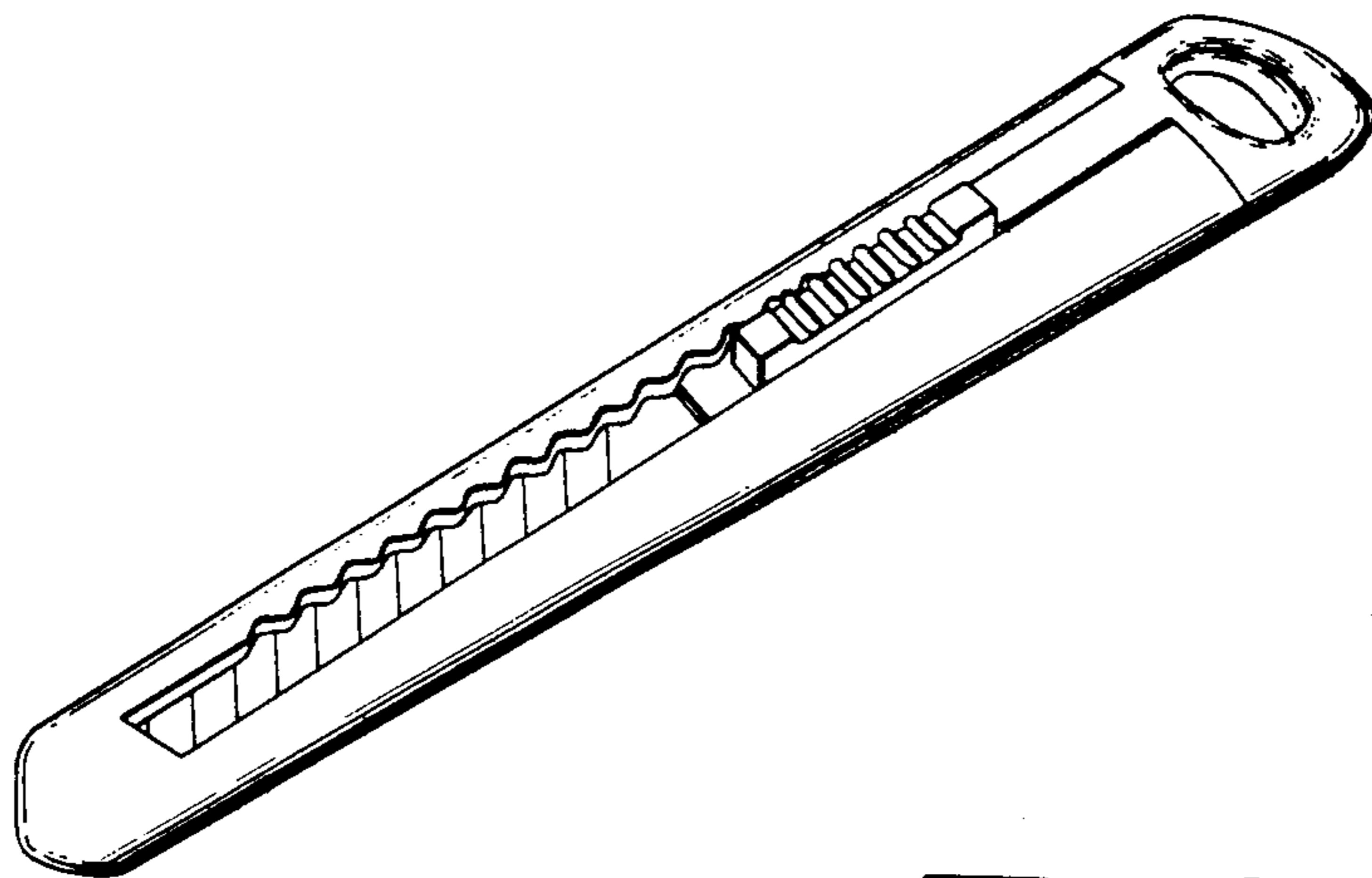


Fig. 1

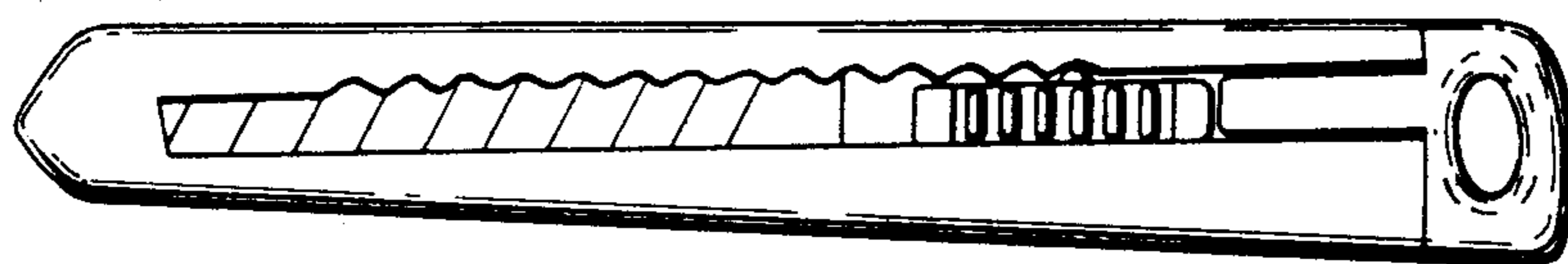


Fig. 2

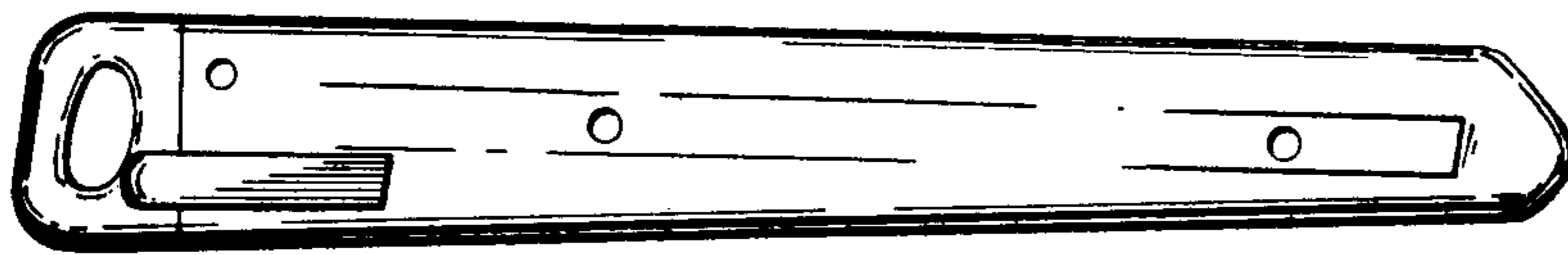


Fig. 3

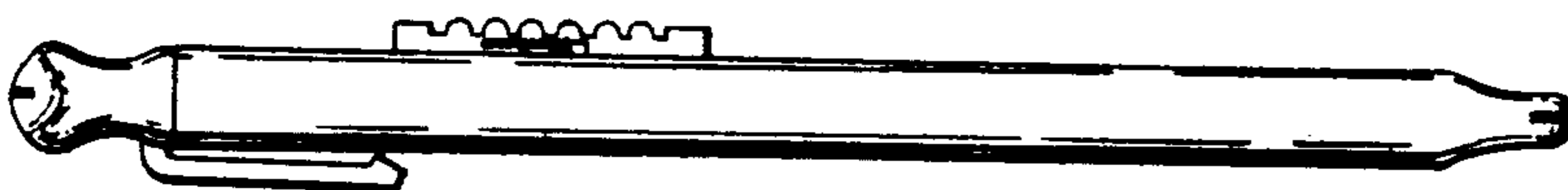


Fig. 4



Fig. 5



Fig. 6