

[54] HANDLE FOR A GARDEN HEDGE SHEAR OR THE LIKE

[76] Inventor: Edward A. Irelan, 2303 Ridgemont, Columbia, Mo. 65201

[**] Term: 14 Years

[21] Appl. No.: 898,378

[22] Filed: Apr. 20, 1978

[51] Int. Cl. D8-01

[52] U.S. Cl. D8/5; D8/1; D8/107

[58] Field of Search 16/110.5, 110 R, 111; D8/107, 1, 5; 30/343, 341, 257

[56] References Cited

U.S. PATENT DOCUMENTS

- D. 199,439 10/1964 Keiser, Jr. D8/5
- D. 206,482 12/1966 Sharp D8/5
- D. 206,483 12/1966 Sharp D8/5

- D. 208,994 10/1967 Anderson D8/1
- D. 231,311 4/1974 Rogers D8/5
- D. 243,439 2/1977 Zernell D8/107
- 3,122,774 3/1964 Lamb 16/110 R
- 3,422,532 1/1969 Ballard 30/257 X
- 3,566,467 3/1971 Keiser, Jr. 30/257

Primary Examiner—Bernard Ansher
Attorney, Agent, or Firm—Jon Carl Gealow

[57] CLAIM

The ornamental design for a handle for a garden hedge shear or the like, substantially as shown and described.

DESCRIPTION

FIG. 1 is a front perspective view of a handle for a garden hedge shear or the like showing my new design; FIG. 2 is a rear perspective view thereof; FIG. 3 is a side elevation thereof; FIG. 4 is a top plan thereof; FIG. 5 is a bottom plan thereof; FIG. 6 is a front elevation thereof; and FIG. 7 is a rear elevation thereof.

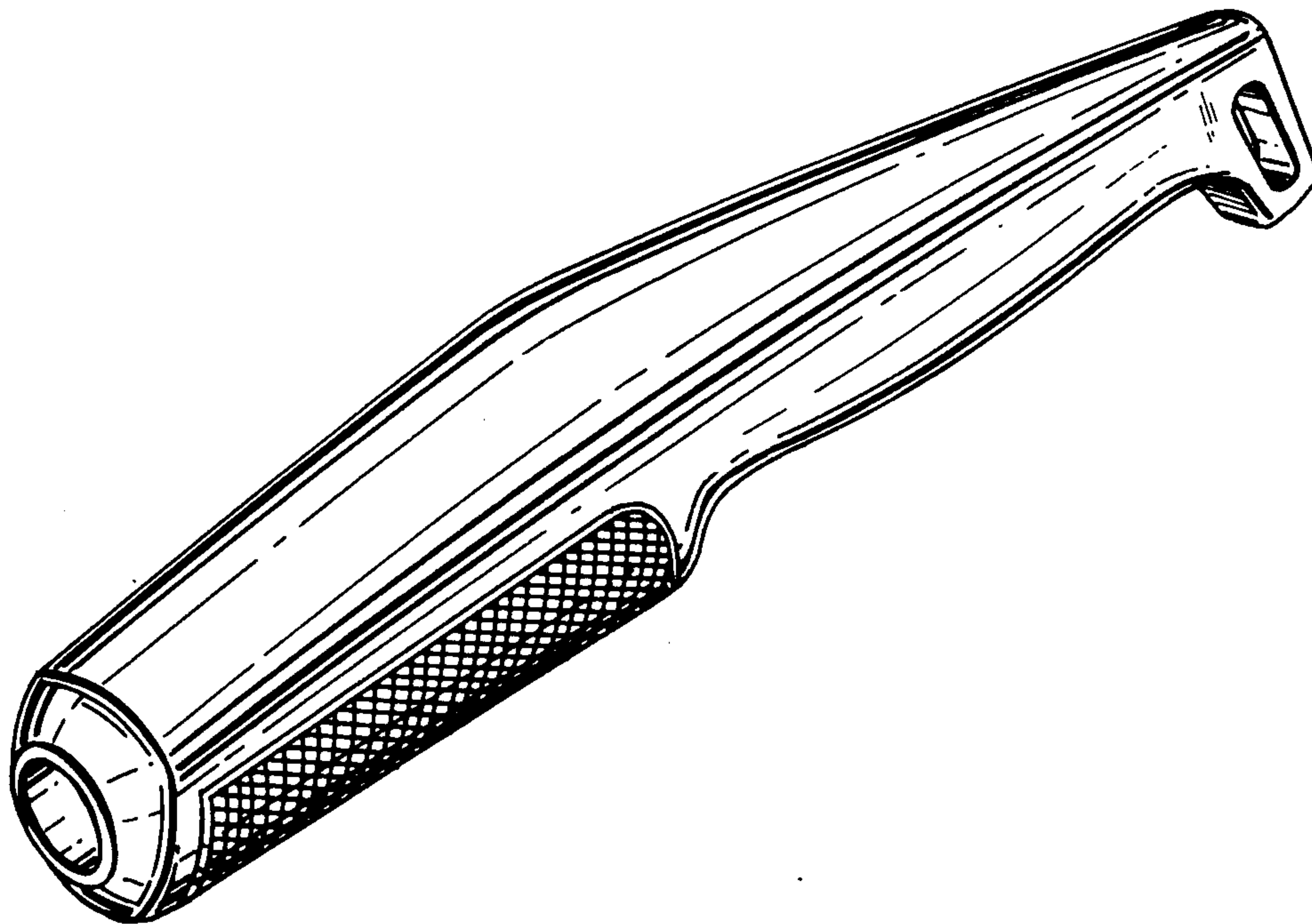


FIG. 1

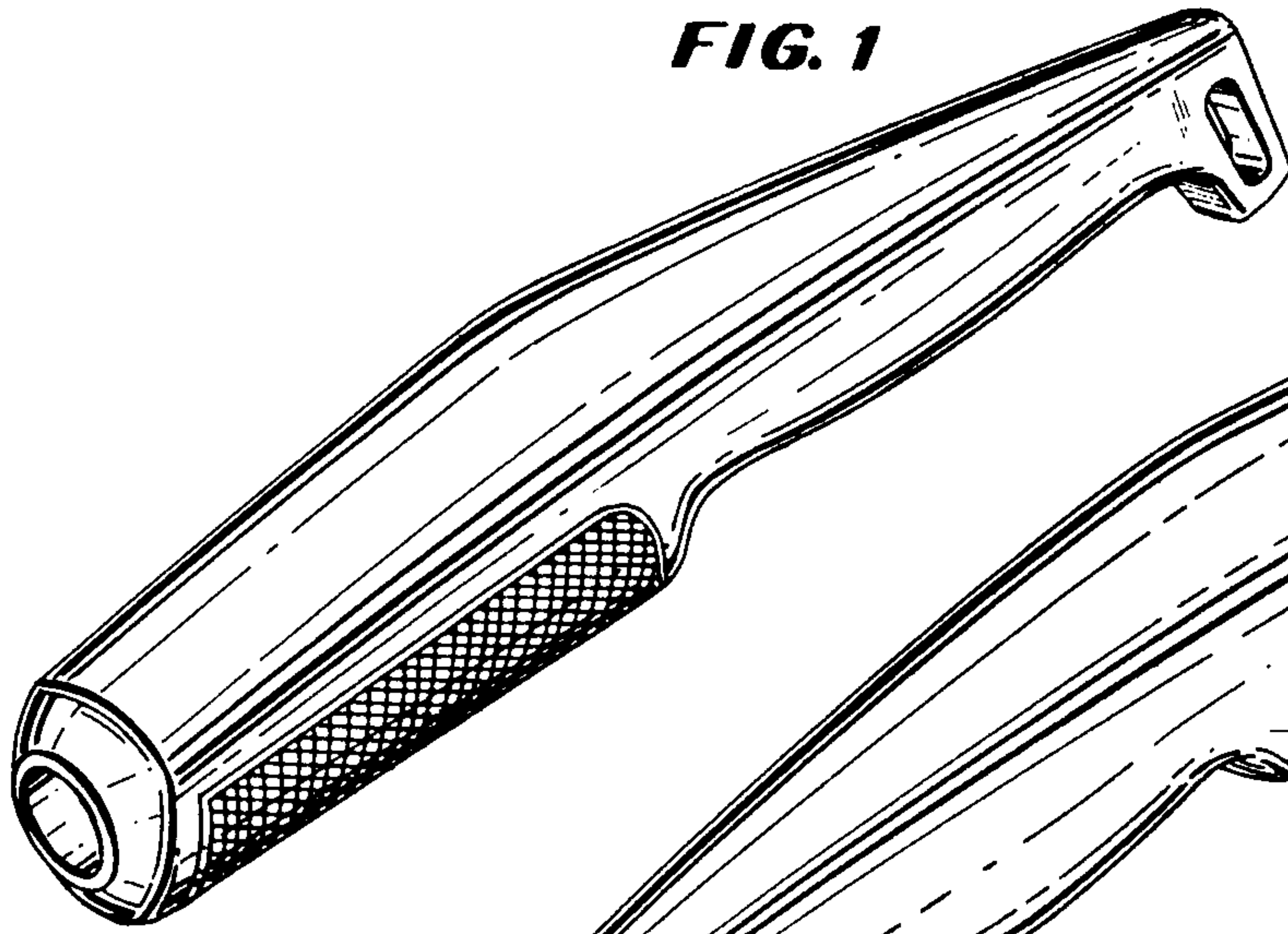


FIG. 2

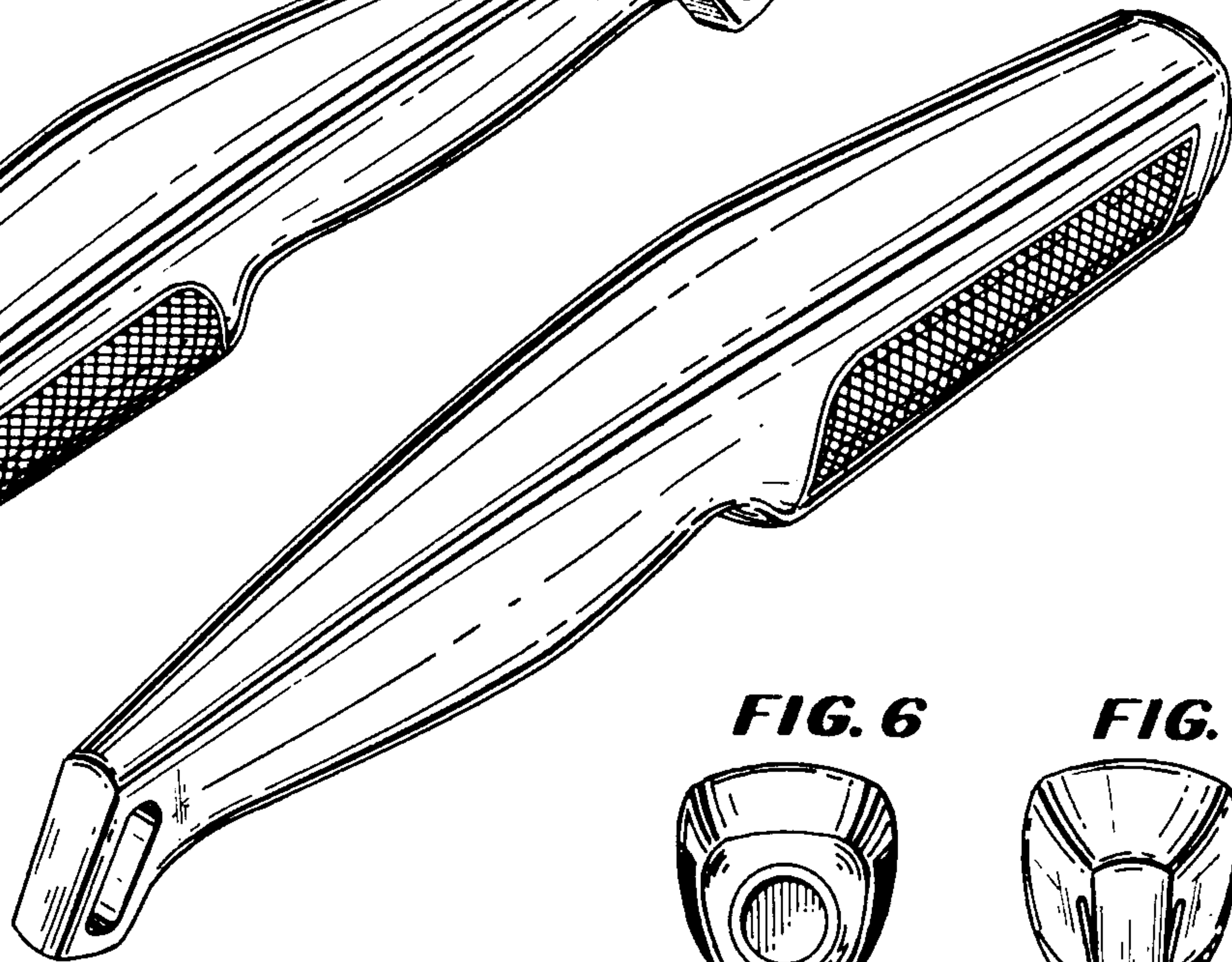


FIG. 6

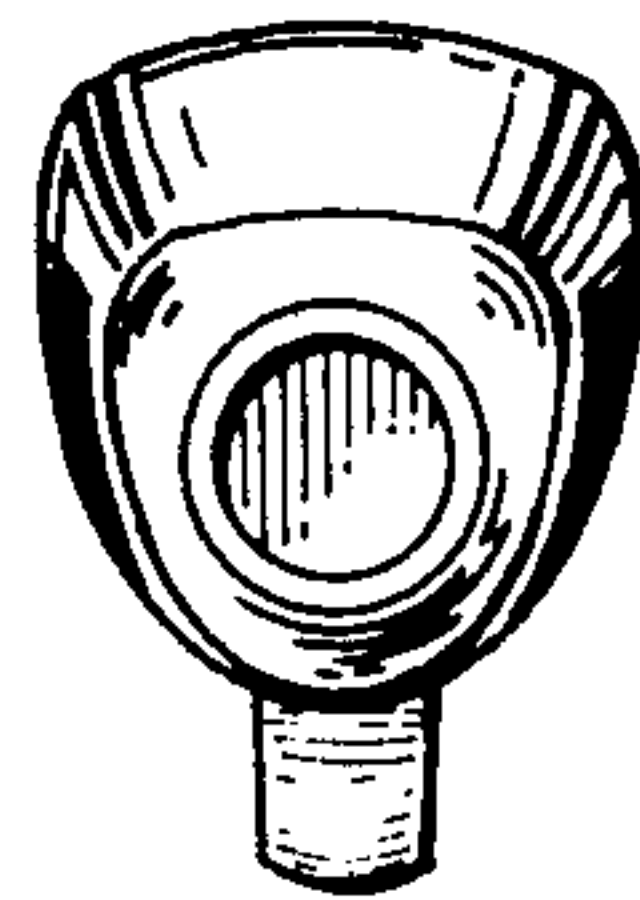


FIG. 7

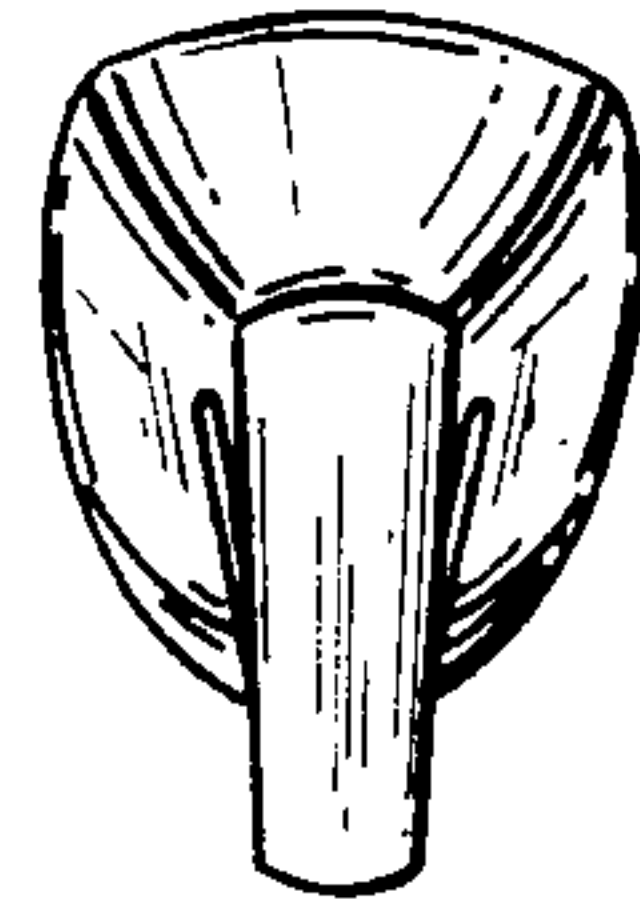


FIG. 3

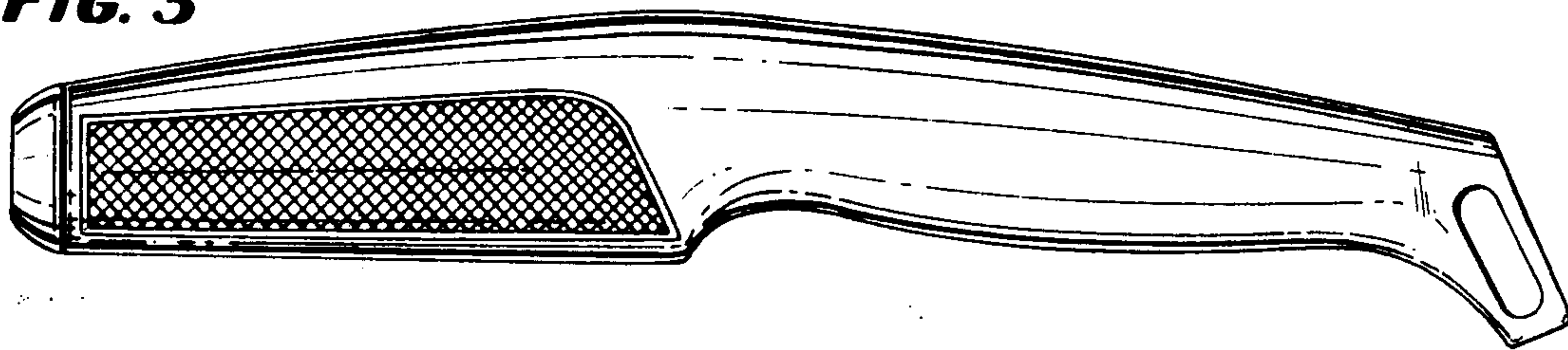


FIG. 4

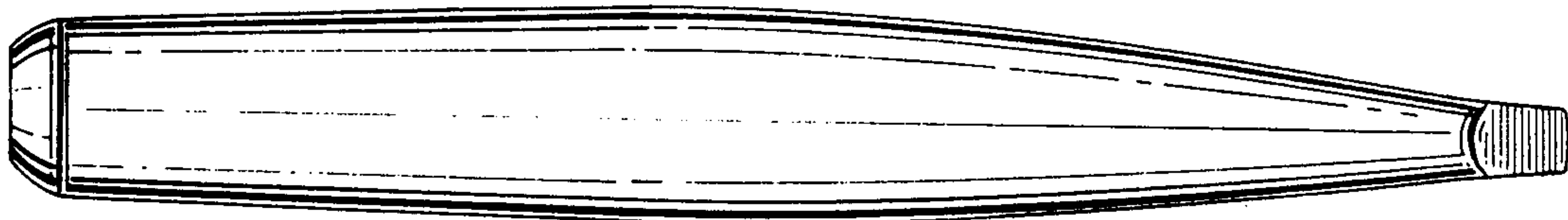


FIG. 5

