

[54] PICTURE FRAME

[75] Inventor: Maureen Mara, 319 Avenue C, New York, N.Y. 10009

[73] Assignee: Maureen Mara, Rego Park, N.Y.

[**] Term: 14 Years

[21] Appl. No.: 951,004

[22] Filed: Oct. 12, 1978

[51] Int. Cl. D6-07

[52] U.S. Cl. D6/236

[58] Field of Search D6/232-246; D19/20, 21, 24, 91; D28/65-71; 40/10 D, 120, 152-160; 248/466, 469-474

[56] References Cited

U.S. PATENT DOCUMENTS

D. 251,238 3/1979 Lutzker D11/151

OTHER PUBLICATIONS

Collector's Guild Catalog, 1977, p. 6, items D Fruit Frames, Picture Frames, lower right hand corner.

Primary Examiner—George G. Stellar
Attorney, Agent, or Firm—Harold James

[57] CLAIM

The ornamental design for a picture frame, substantially as shown and described.

DESCRIPTION

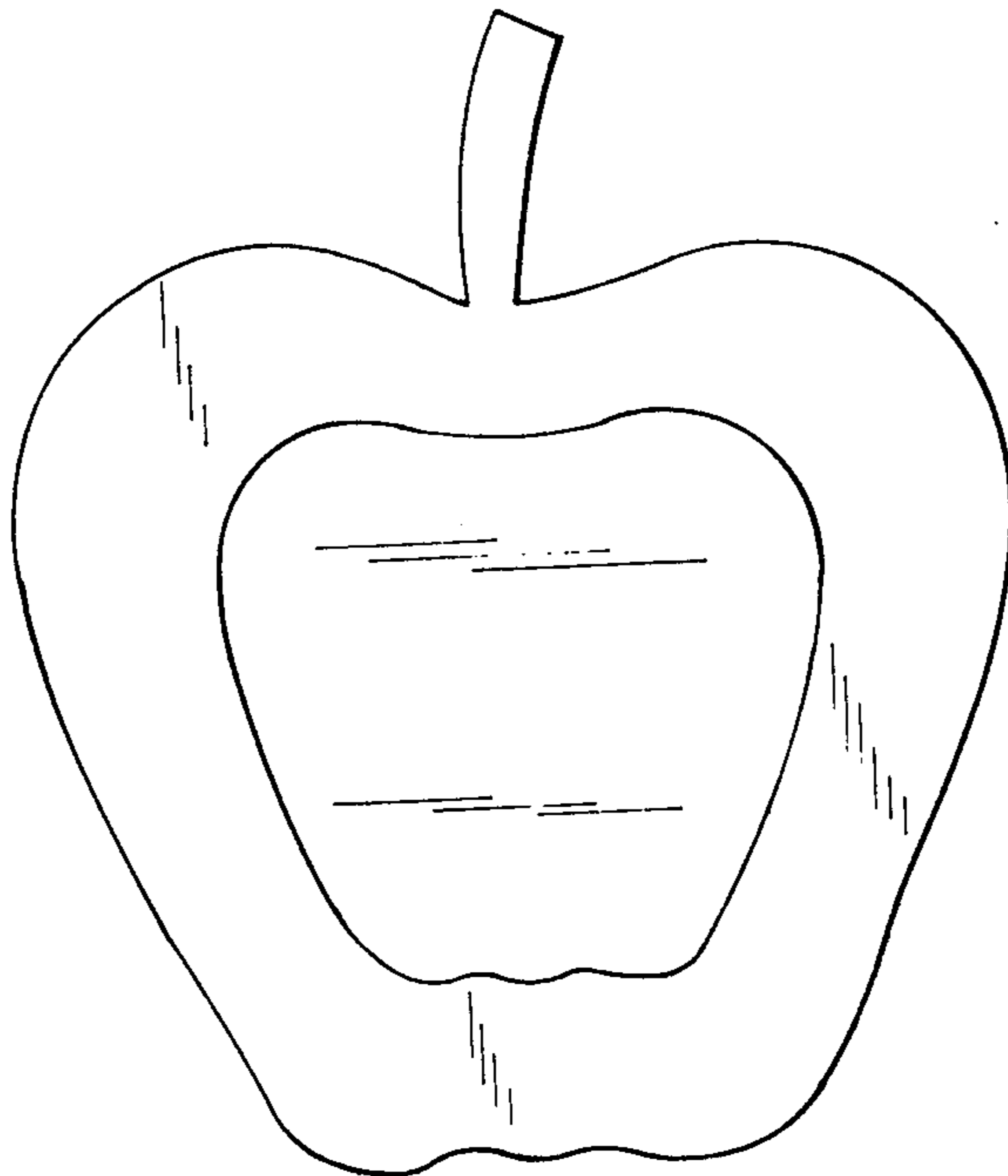
FIG. 1 is a right side elevational view of a picture frame showing my new design;

FIG. 2 is a front elevational view thereof, as seen in the direction of arrow 2 of FIG. 1;

FIG. 3 is a rear elevational view thereof, as seen in the direction of arrow 3 of FIG. 1;

FIG. 4 is a top plan view thereof, as seen in the direction of arrow 4 of FIG. 1; and,

FIG. 5 is a bottom plan view thereof, as seen in the direction of arrow 5 of FIG. 1.



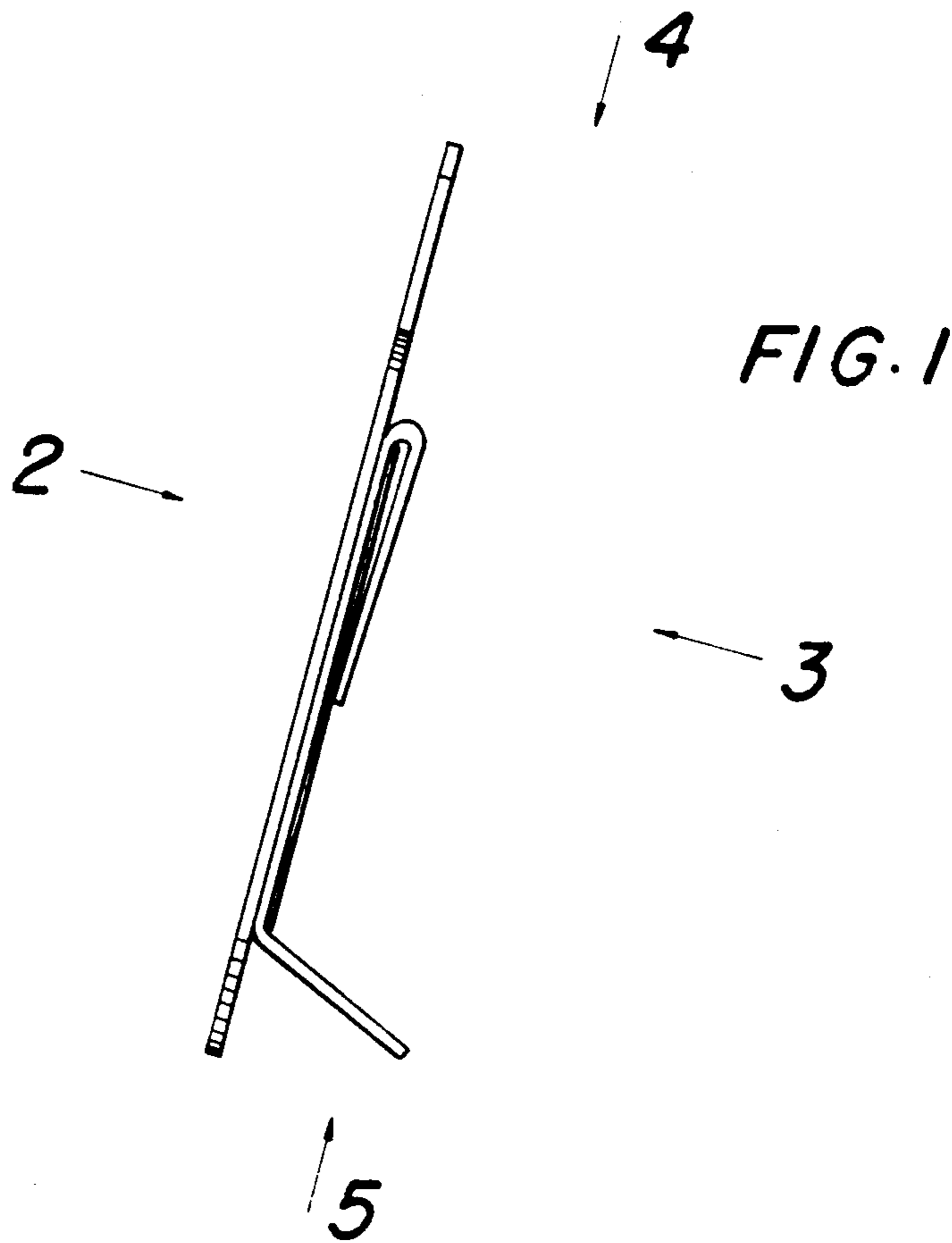


FIG. 4

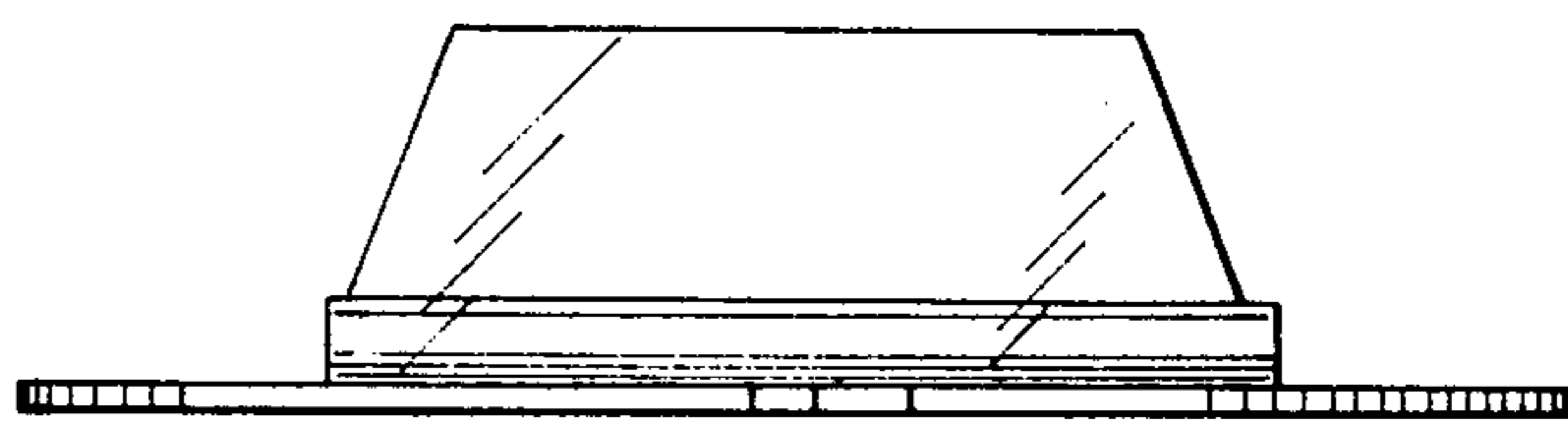


FIG. 5

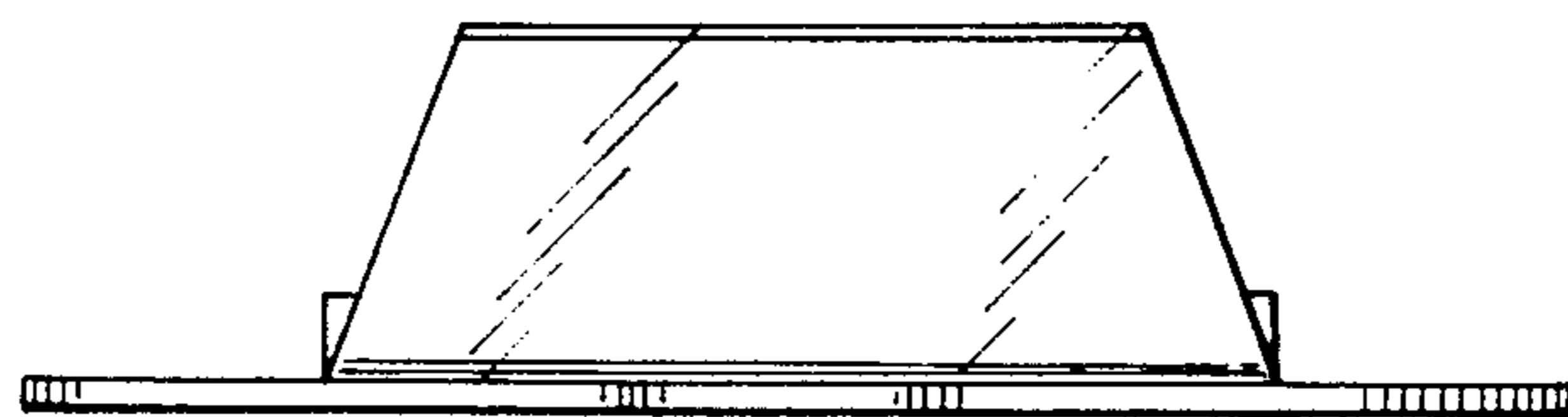


FIG. 2

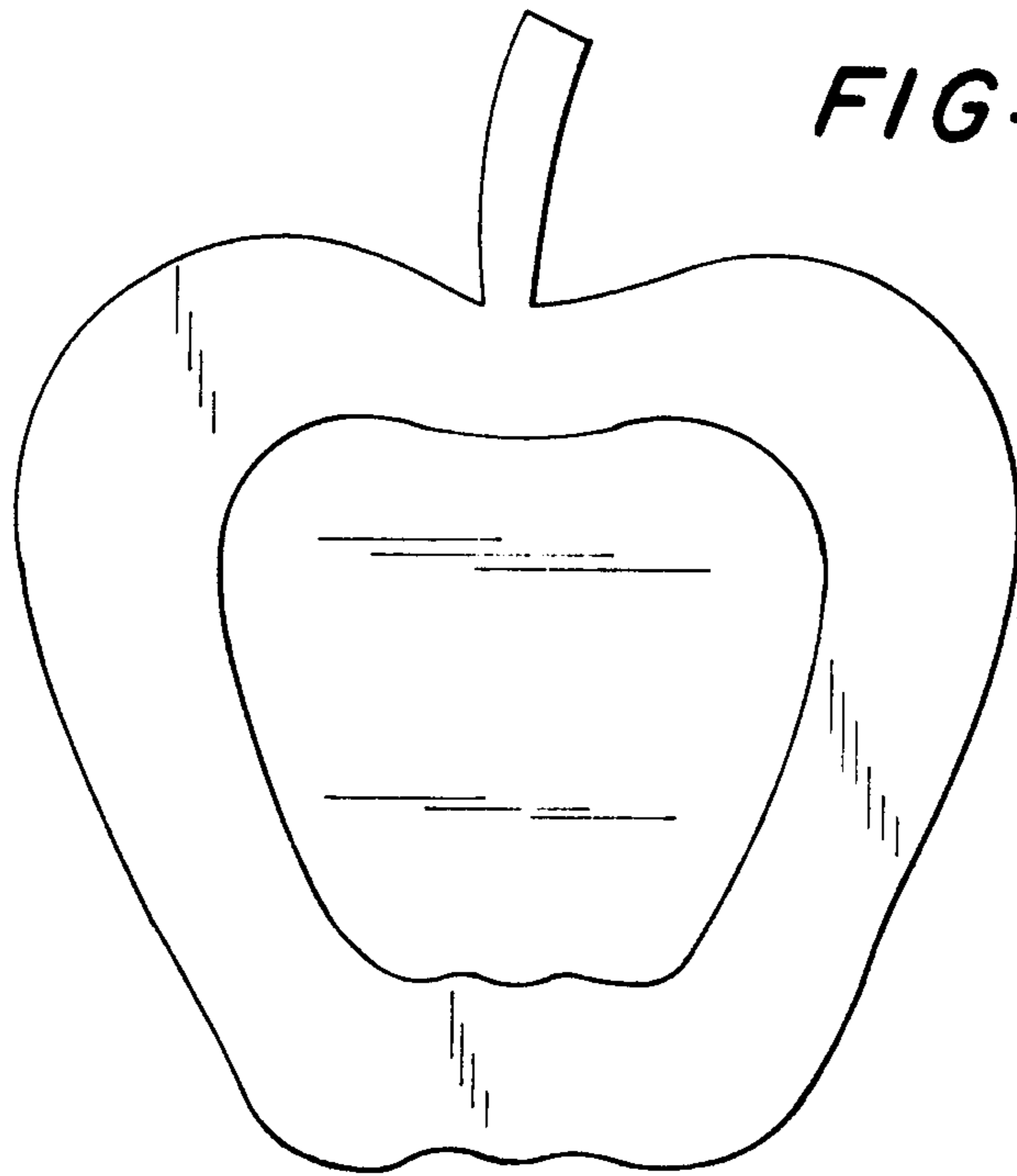


FIG. 3

