

[54] STORAGE AND DISPLAY CONTAINER FOR PHOTOGRAPHS OR LIKE ARTICLES

[76] Inventors: Charles Rache, 28 Chomley St.; Henri J. Rache, 26 Chomley St., both of Prahran, Victoria, Australia

[**] Term: 3½ Years

[21] Appl. No.: 961,001

[22] Filed: Nov. 15, 1978

[30] Foreign Application Priority Data

May 15, 1978 [AU] Australia 74749

[51] Int. Cl. D3—02

[52] U.S. Cl. D3/35; D3/30; D19/76; 206/316; 40/366

[58] Field of Search D3/30, 33, 35, 78, 99; D19/76; 40/380, 152.1 US, 361, 366; 206/316

[56] References Cited

U.S. PATENT DOCUMENTS

D. 223,085 3/1972 Zimmerman D3/35 X

877,078 1/1908 Havenhill et al. 206/316

Primary Examiner—Donald B. Moyer
Attorney, Agent, or Firm—Robert A. Brown

[57] CLAIM

The ornamental design for a storage and display container for photographs or like articles, as shown and described.

DESCRIPTION

FIG. 1 is a perspective view from above and to the front of a storage and display container for photographs or like articles showing our new design;

FIG. 2 is a perspective view thereof from below and to the rear;

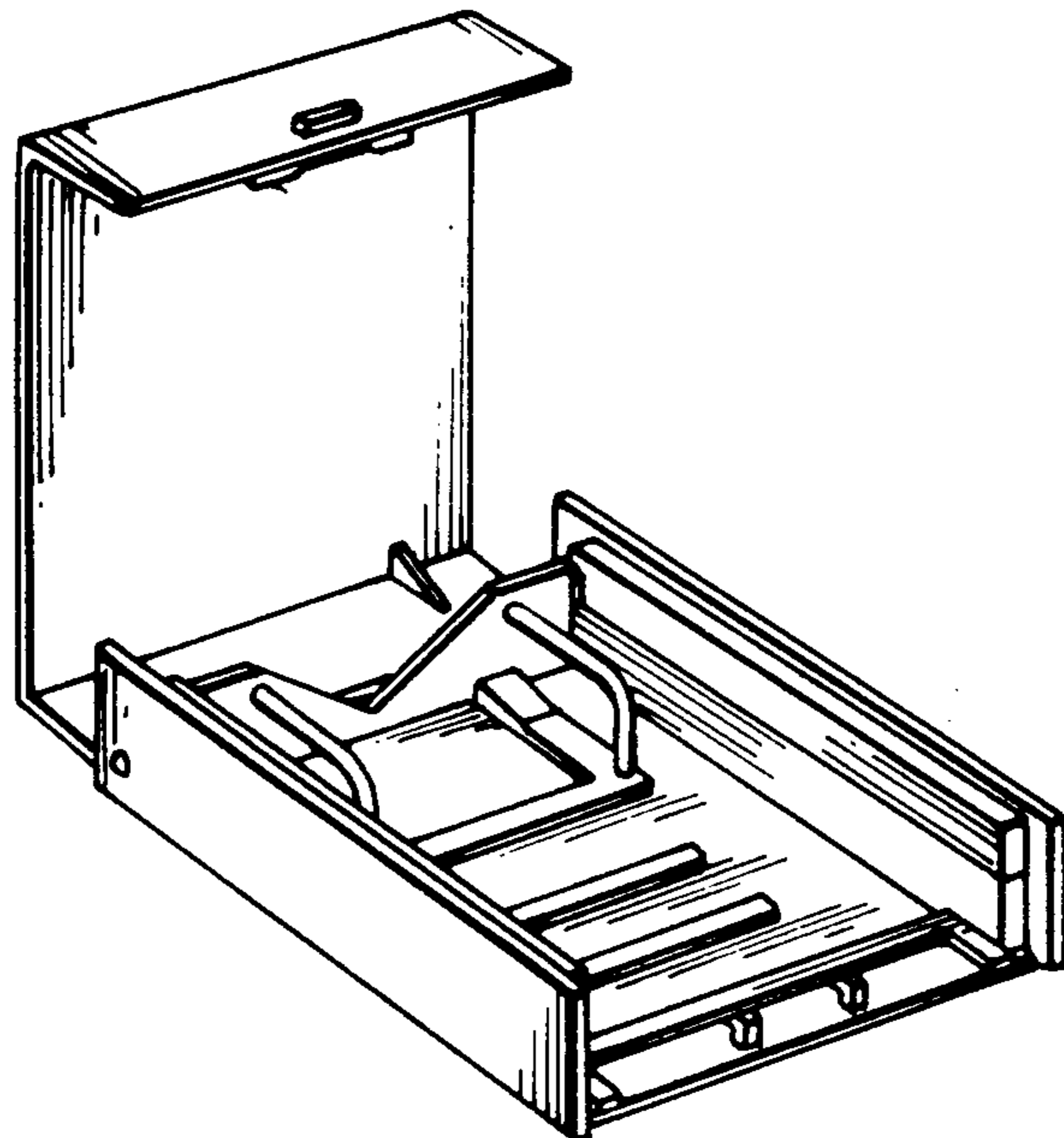
FIG. 3 is a side elevational view thereof with the lid of the container in open position;

FIG. 4 is a rear view thereof with the lid in the open position;

FIG. 5 is a front perspective view thereof; and

FIG. 6 is a top plan view thereof with the lid in the open position.

The not-shown side elevational view of the container is a mirror image of FIG. 3.



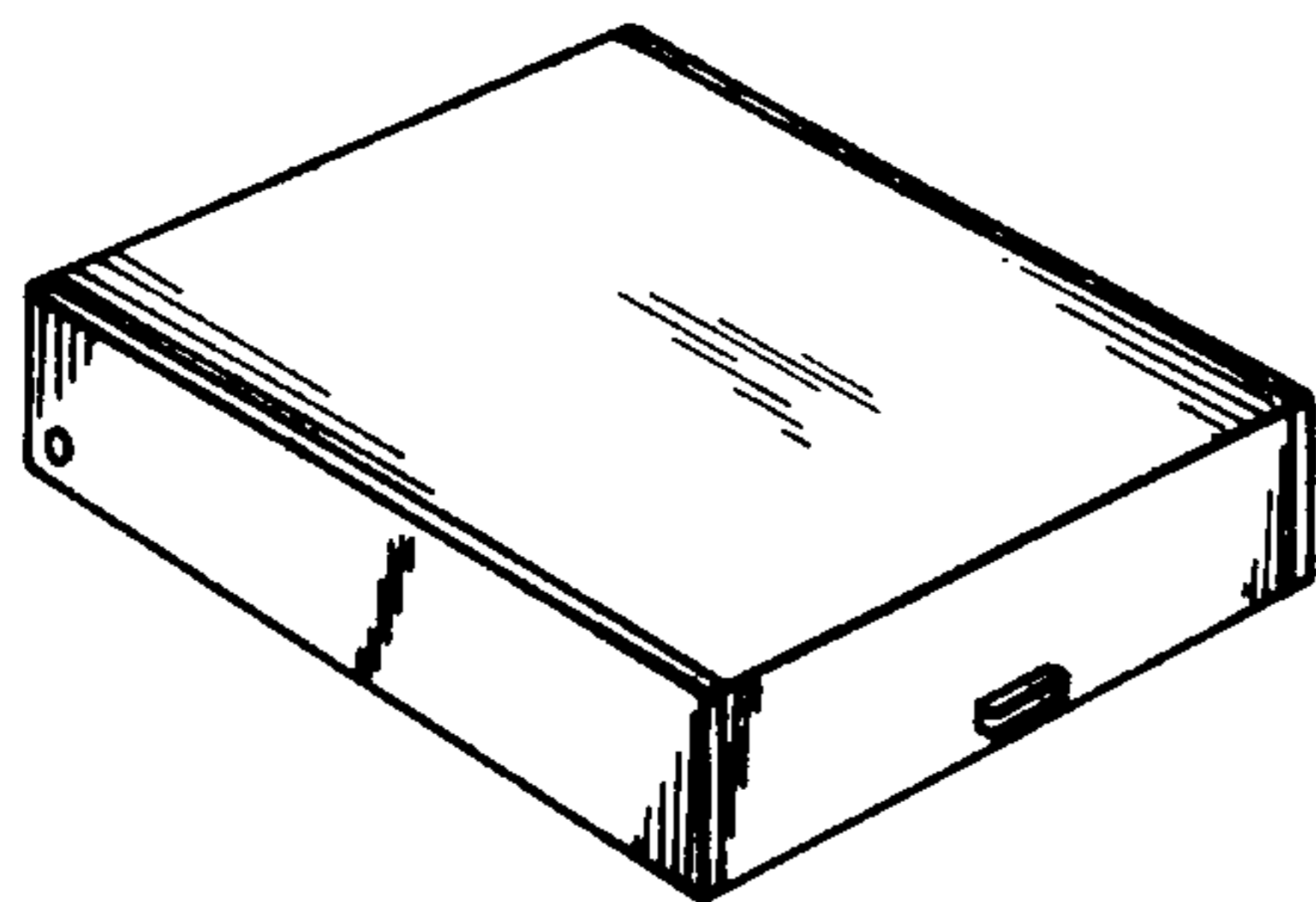


FIG. 1.

FIG. 2.

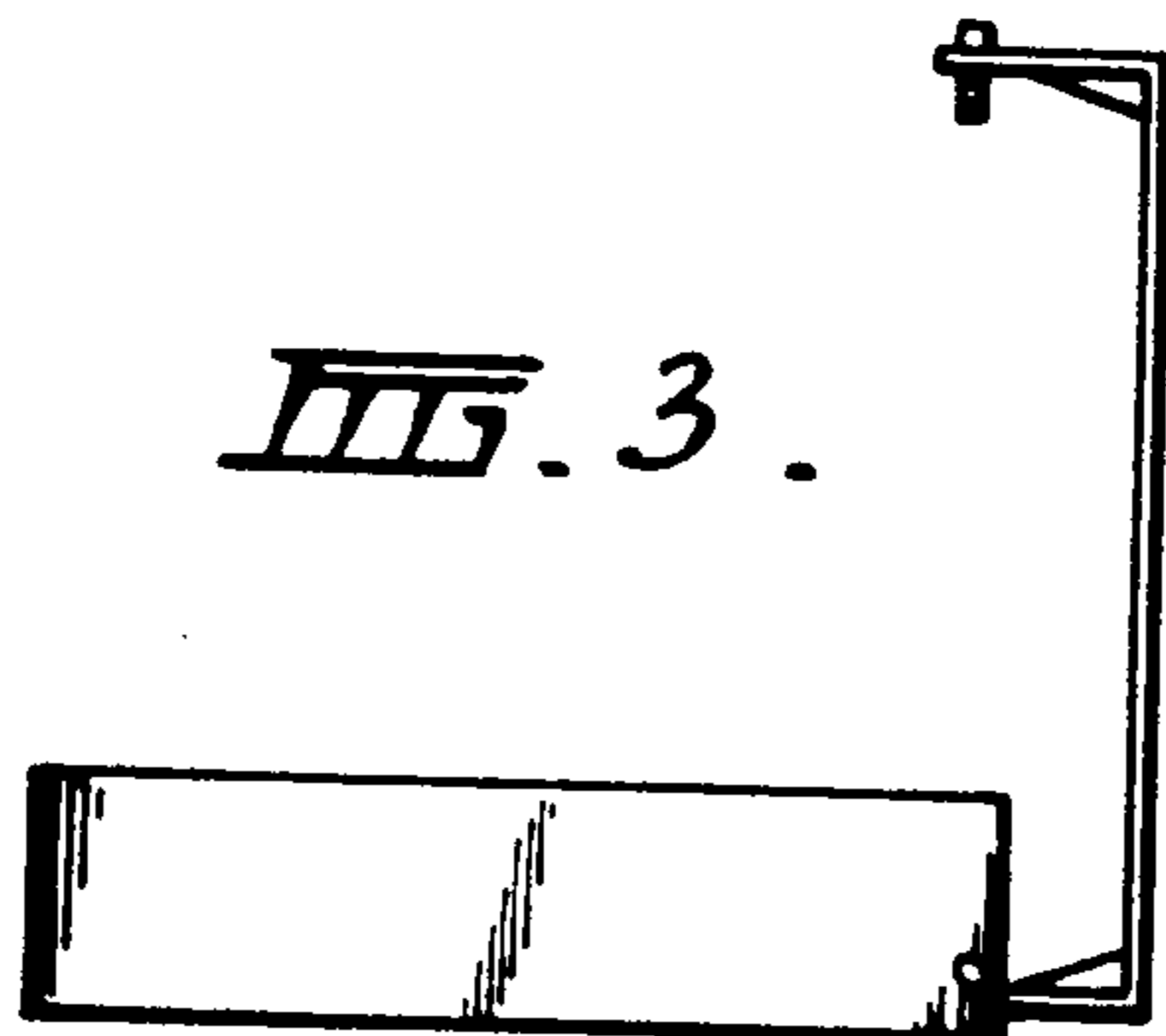
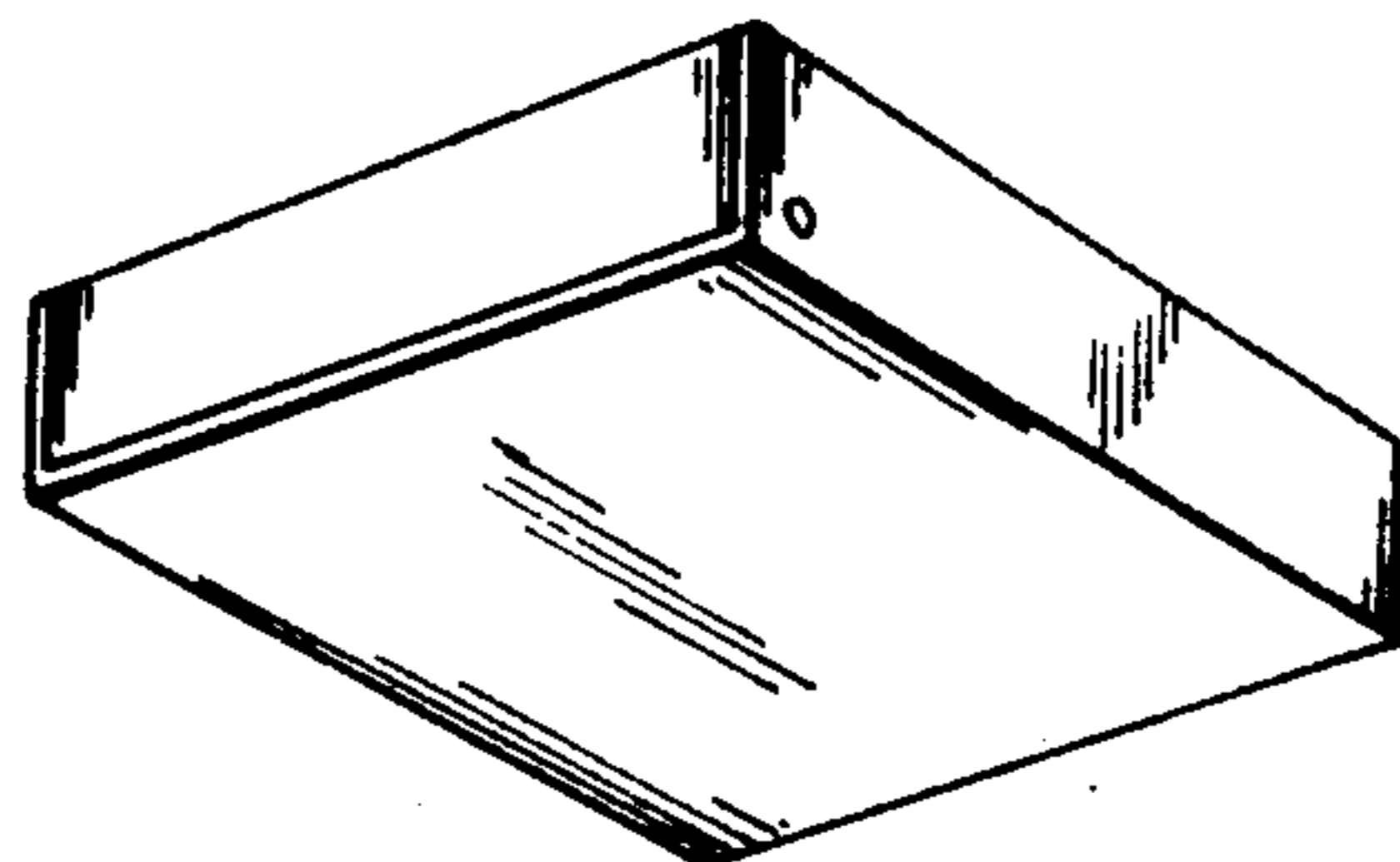


FIG. 3.

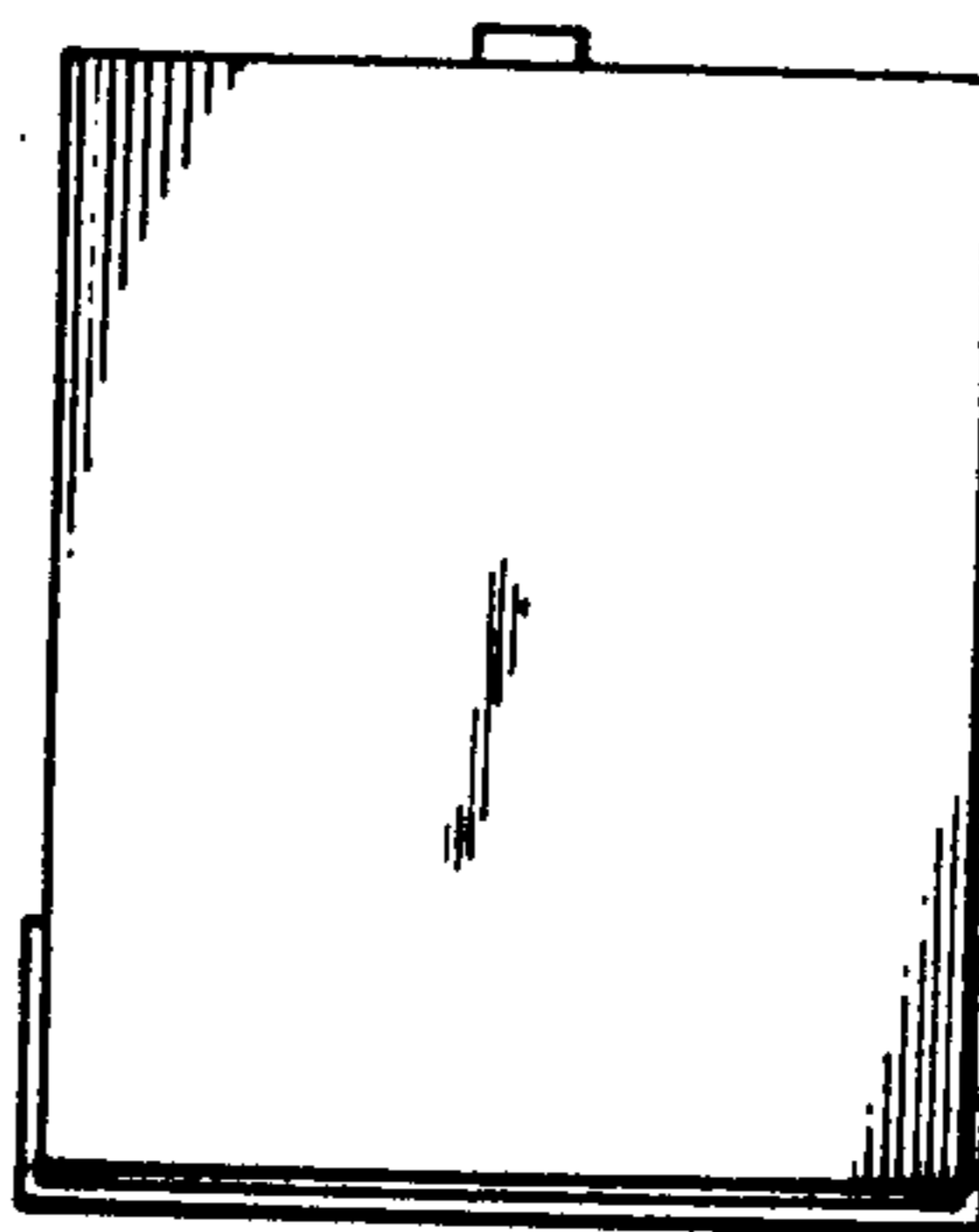


FIG. 4.

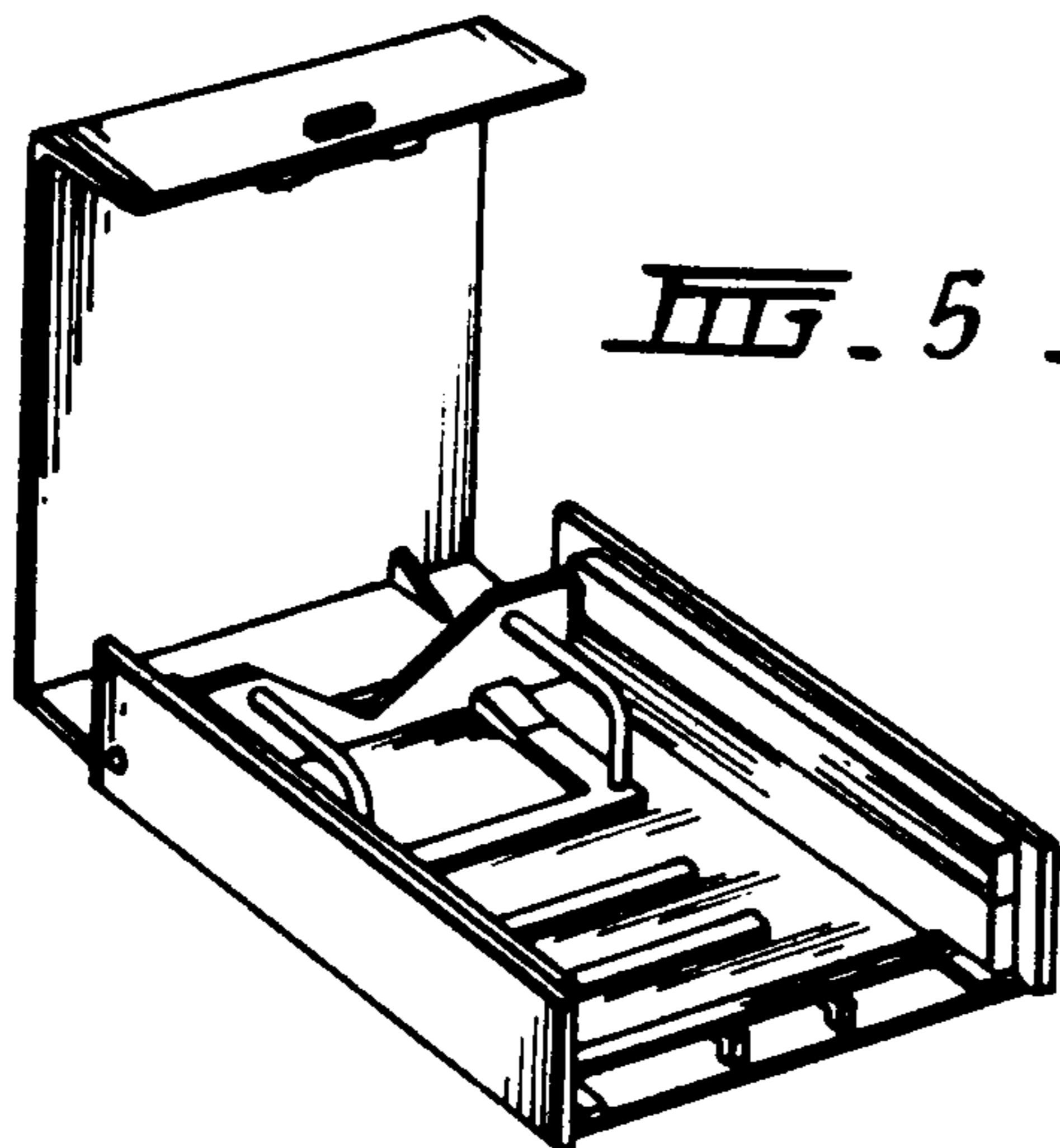


FIG. 5.

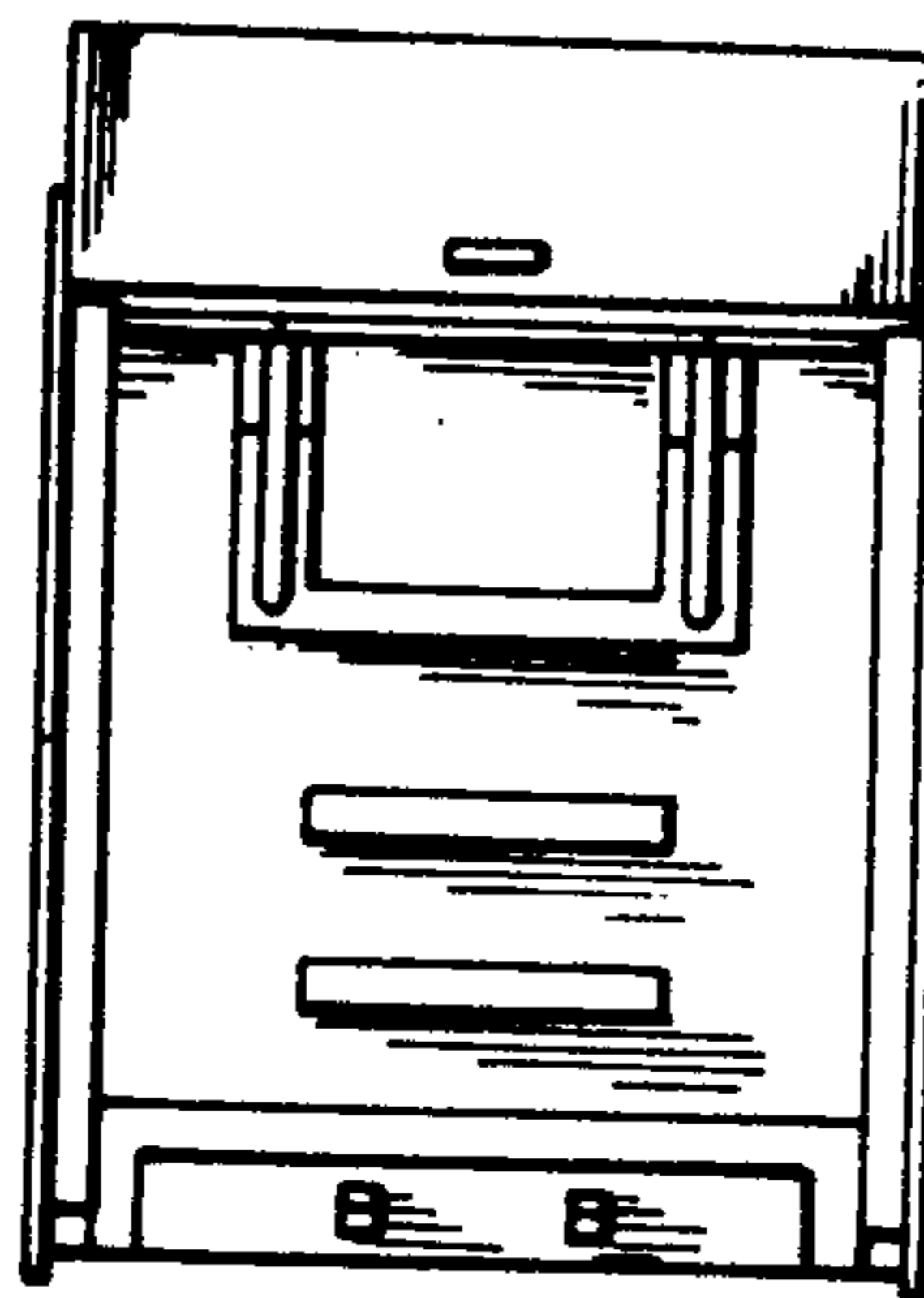


FIG. 6.