

[54] LIGHTED MAKEUP MIRROR

[75] Inventors: Norman A. Steinkamp, La Grange Park; Bernard Bluestein, Des Plaines, both of Ill.

[73] Assignee: Sunbeam Corporation, Chicago, Ill.

[**] Term: 14 Years

[21] Appl. No.: 1,554

[22] Filed: Jan. 8, 1979

[51] Int. Cl. D28-03

[52] U.S. Cl. D28/67; D6/237

[58] Field of Search D28/65, 67, 68; 132/1 R; 350/296; D6/232, 233, 235, 237, 238, 243, 245

[56] References Cited

U.S. PATENT DOCUMENTS

D. 253,429 11/1979 Tomaro D6/237

OTHER PUBLICATIONS

Home Furnishings Daily, Thursday, 6/27/74, Sec. 1, p. 9-Mirror at bottom left.

Retailing Home Furnishings, 7/11/77-Section 2, p. 25-Oster Mirror at top right.

Primary Examiner-Louis S. Zarfes
Attorney, Agent, or Firm-George R. Clark

[57] CLAIM

The new and ornamental design for a lighted makeup mirror, as shown and described.

DESCRIPTION

FIG. 1 is a perspective view of a lighted makeup mirror showing our new design;
FIG. 2 is a right side elevational view of the lighted makeup mirror as shown in FIG. 1, the left side elevational view being a mirror image thereof;
FIG. 3 is a top plan view thereof;
FIG. 4 is a rear elevational view thereof; and
FIG. 5 is a horizontal cross-sectional view taken generally on line 5-5 of FIG. 4.

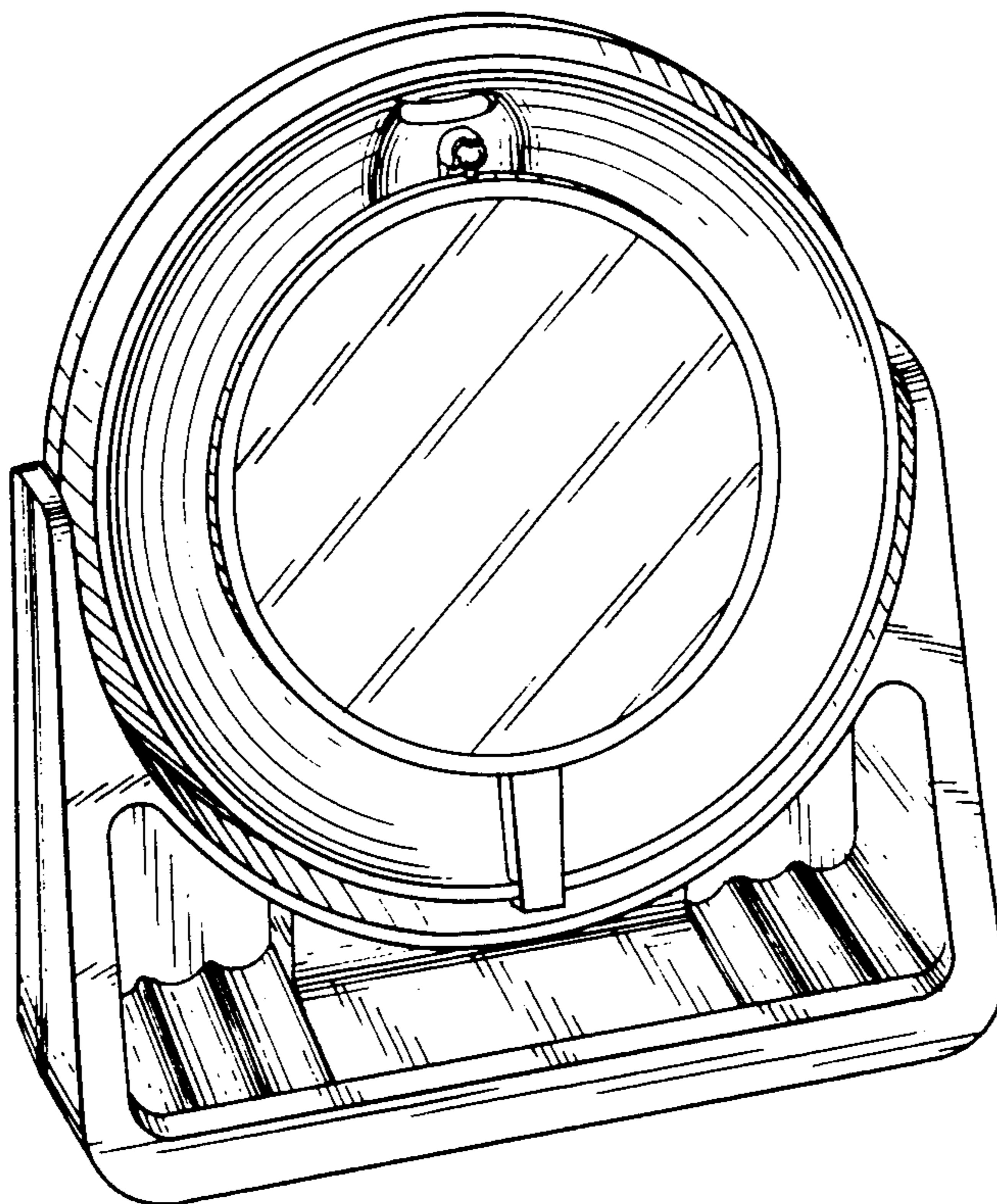


Fig. 1.

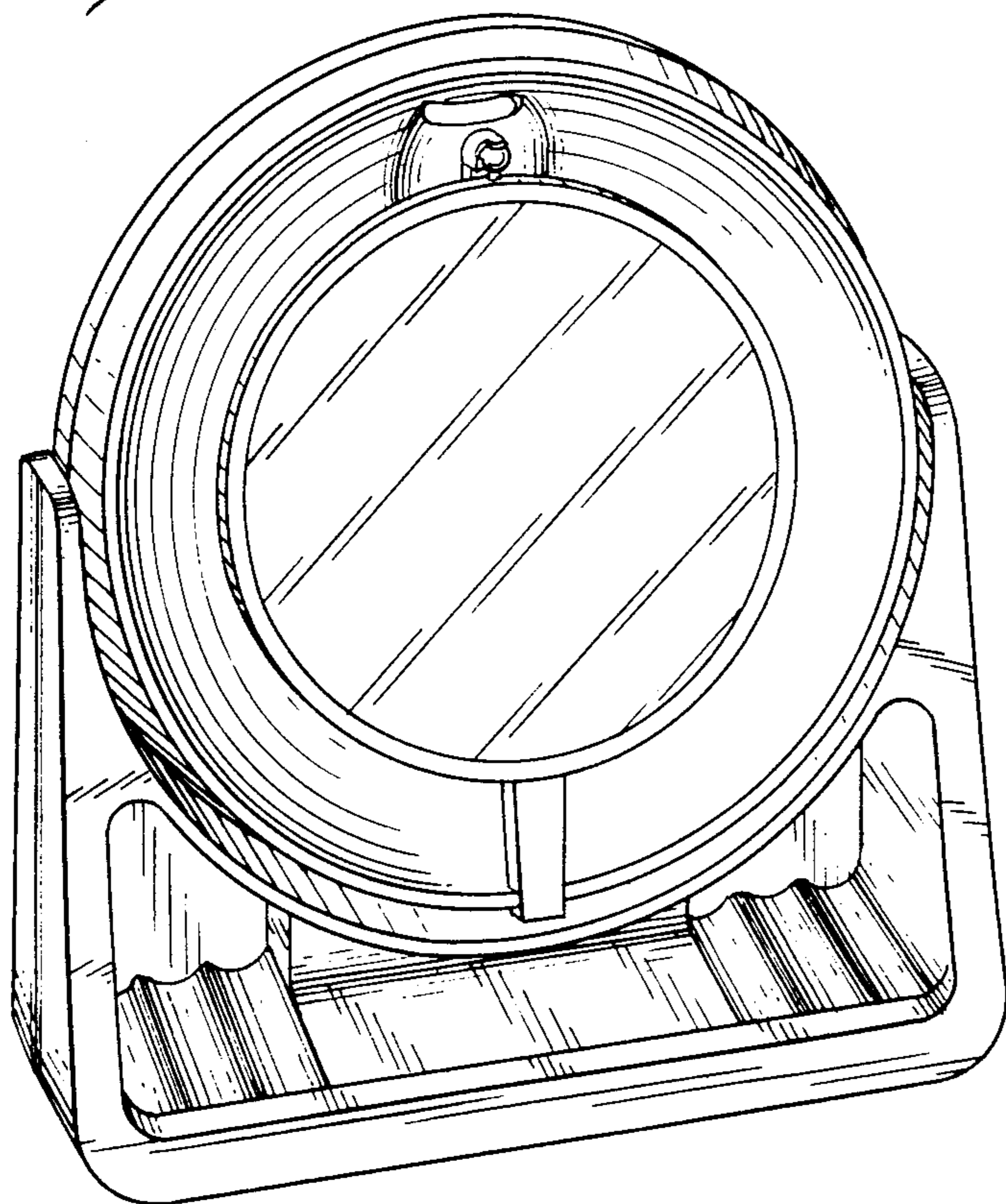


Fig. 2.

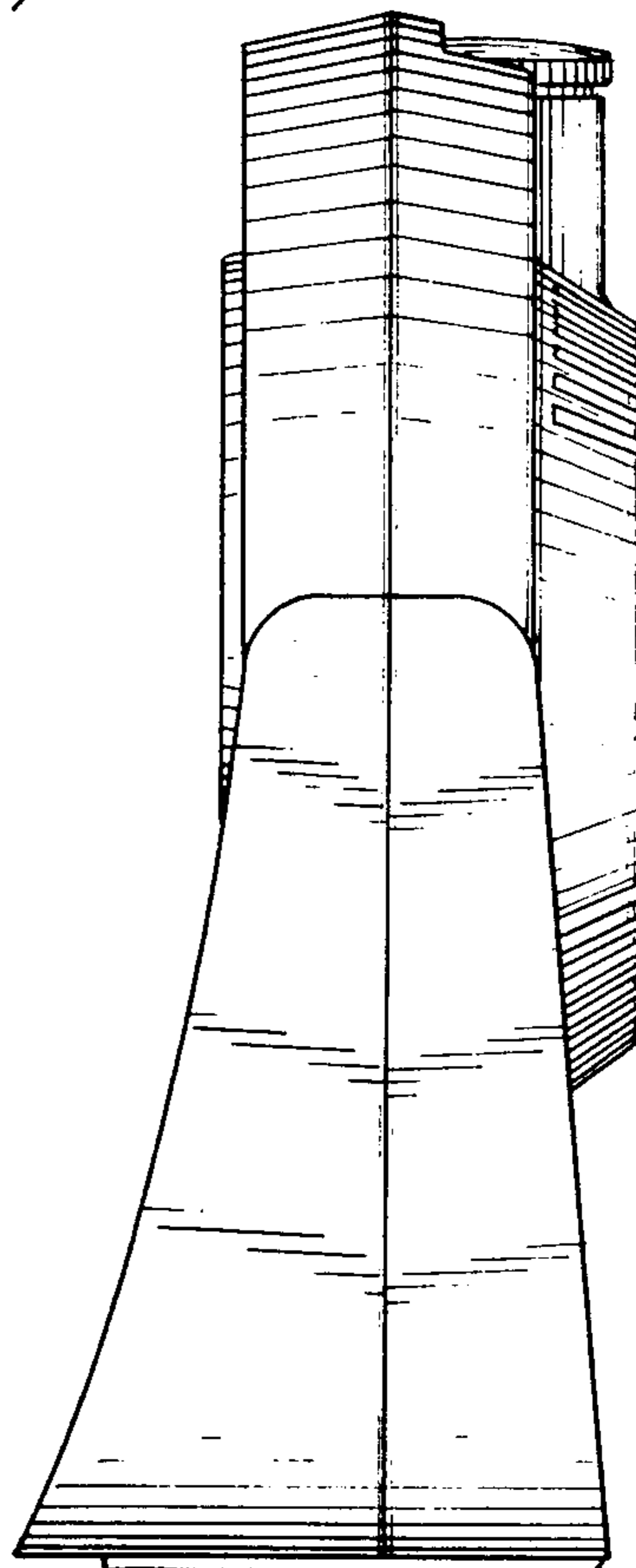


Fig. 3.

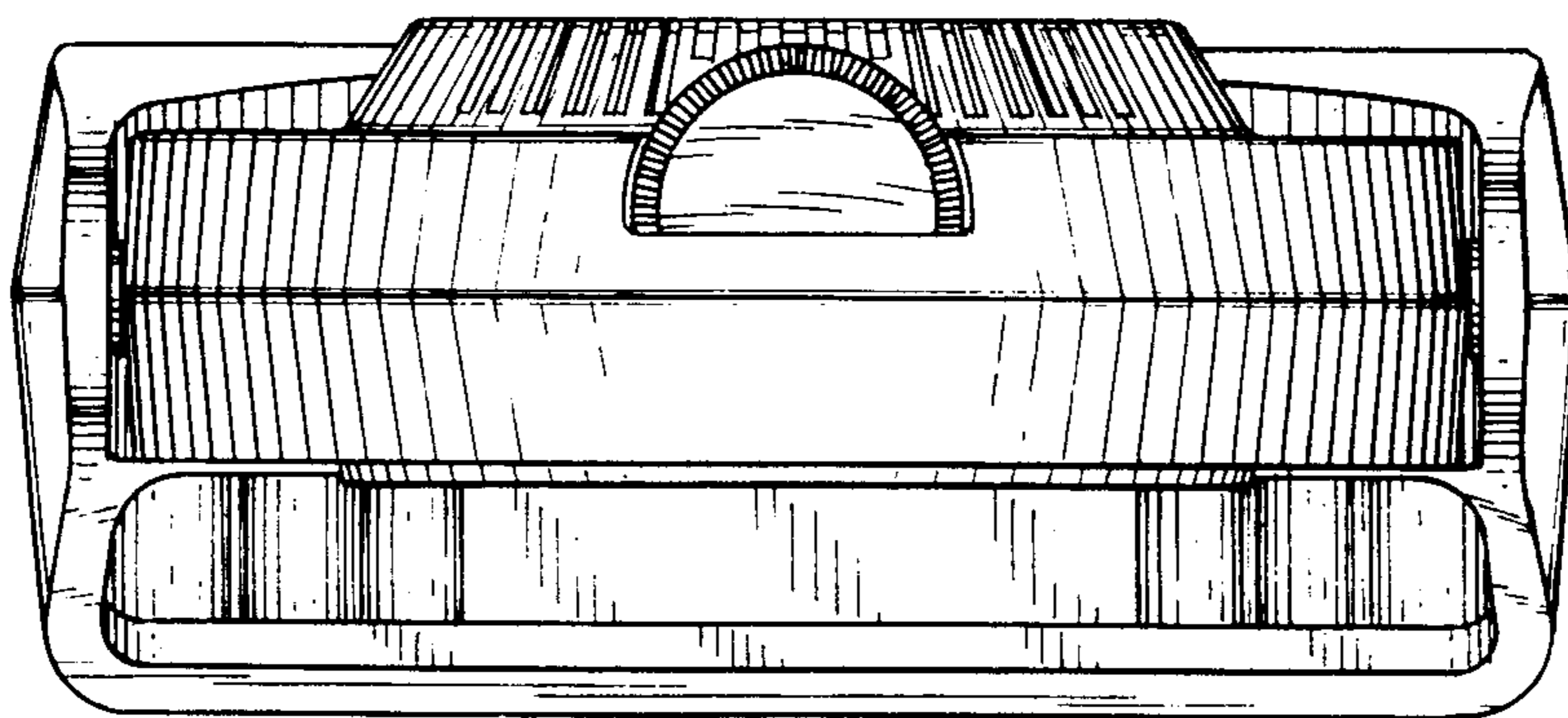


Fig. 4.

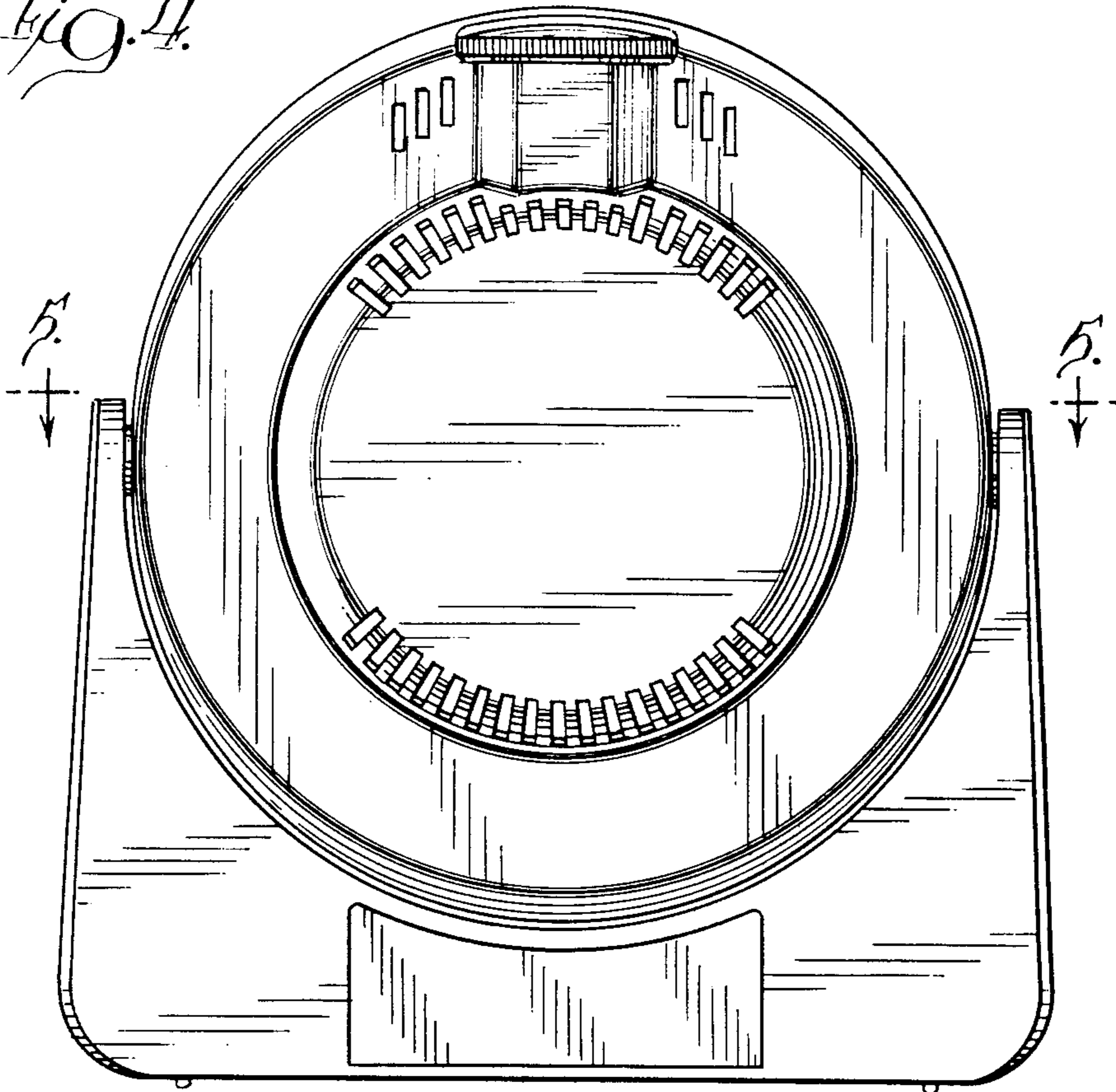


Fig. 5.

