

[54] HAIR CURLER

[75] Inventor: Shun F. Lam, Hong Kong, Hong Kong

[73] Assignee: Chi Lik Metal & Plastic Manufacturing Co. Ltd.

[**] Term: 14 Years

[21] Appl. No.: 966,828

[22] Filed: Dec. 5, 1978

[30] Foreign Application Priority Data

Jun. 15, 1978 [GB] United Kingdom 985044/78

[51] Int. Cl. D28-03

[52] U.S. Cl. D28/35

[58] Field of Search D28/9, 10, 12-16, D28/18, 35, 38; 219/222, 225; 132/7, 9, 37 R, 37 A, 11 A; 34/96-98

[56] References Cited

U.S. PATENT DOCUMENTS

2,988,091 6/1961 Long 132/11 A

OTHER PUBLICATIONS

Housewares, Jul. 1977, p. 67-G.E. Power Turbo & Power Brush at center & bottom.

Primary Examiner—Louis S. Zarfes

Attorney, Agent, or Firm—Karl W. Flocks

[57] CLAIM

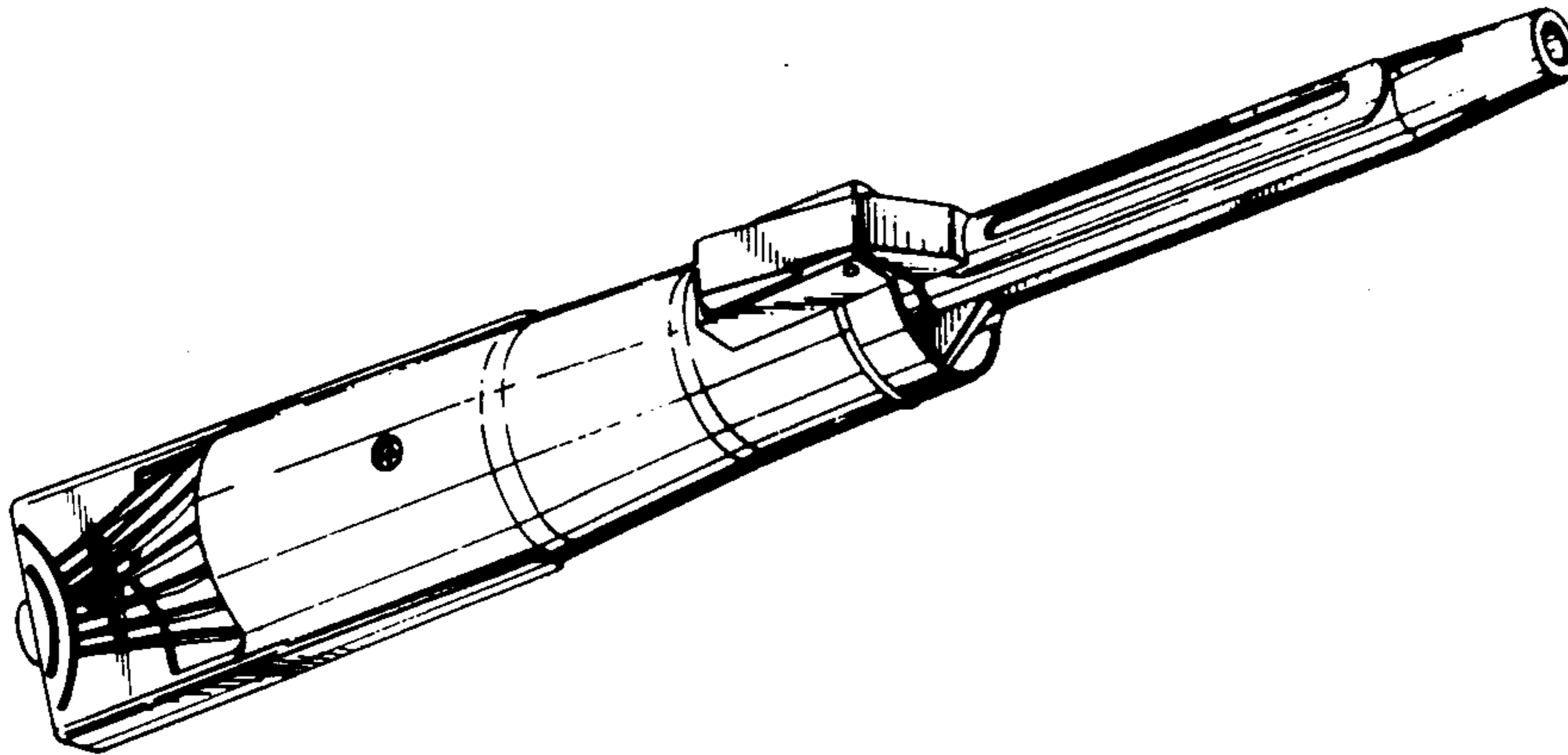
The ornamental design for a hair curler, as shown.

DESCRIPTION

FIG. 1 is a left side elevational view of a hair dryer showing my new design;

FIG. 2 is a perspective view of the left, front, and bottom; and

FIG. 3 is a perspective view in the opposite direction.



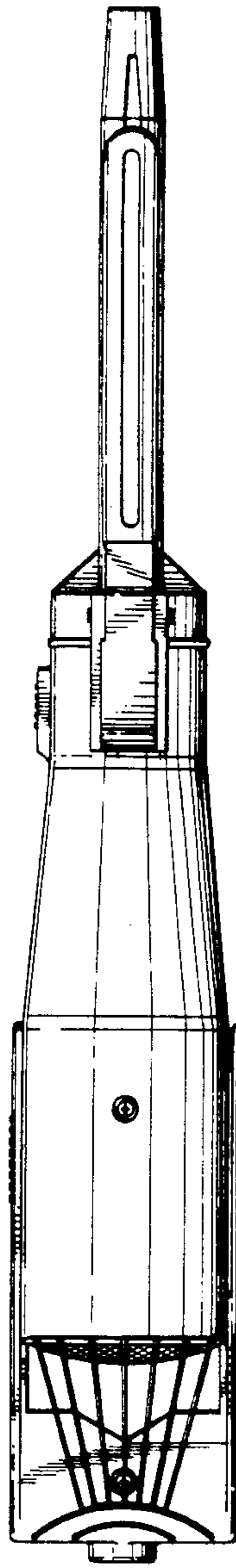


FIG. 1.

Fig. 2.

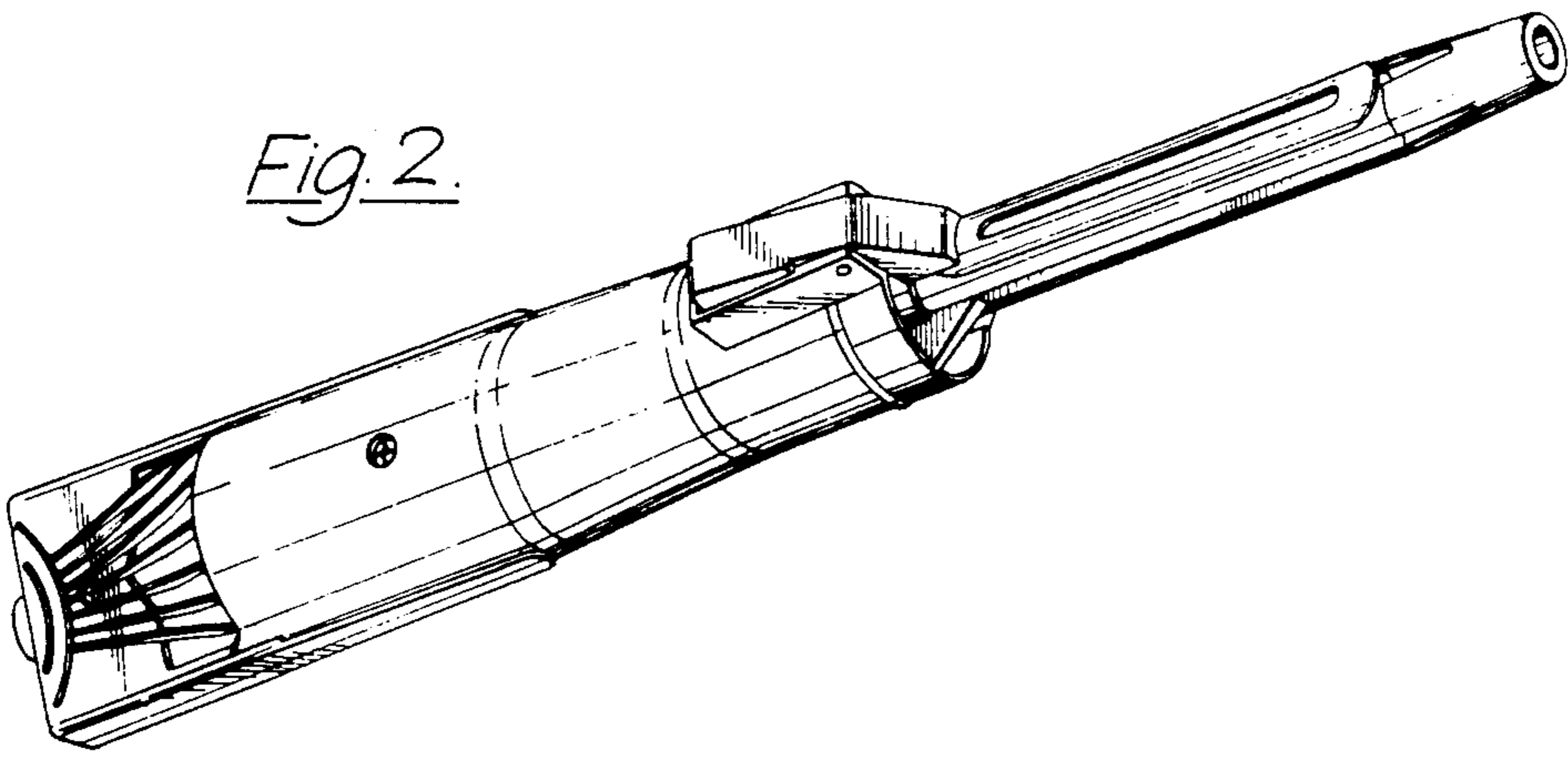


Fig. 3.

