

[54] HAIR DRYER

[75] Inventor: Shun F. Lam, Hong Kong, Hong Kong

[73] Assignee: Chi Lik Metal & Plastic Manufacturing Co. Ltd.

[**] Term: 14 Years

[21] Appl. No.: 966,728

[22] Filed: Dec. 5, 1978

[30] Foreign Application Priority Data
Jun. 15, 1978 [GB] United Kingdom 985045/78

[51] Int. Cl. D28-03

[52] U.S. Cl. D28/13

[58] Field of Search D28/9, 10, 12-18, D28/35; 132/7, 9; 34/96-98

[56]

References Cited

U.S. PATENT DOCUMENTS

D. 227,816	7/1973	Madl	D28/13
D. 252,769	8/1979	Shin et al.	D28/13
D. 253,073	10/1979	Anderson	D28/13

OTHER PUBLICATIONS

Home Furnishings Daily, 1/12/1976, Section 3, p. 10-S-chick Pro Dryer 1200 at upper left.

Home Furnishings Daily, 7/12/1976, Section 2, p. 8-G.E. PB 1 at top right.

Primary Examiner—Louis S. Zarfes

Attorney, Agent, or Firm—Karl W. Flocks

[57]

CLAIM

The ornamental design for a hair dryer, as shown.

DESCRIPTION

FIG. 1 is a left side elevational view of a hair dryer showing my new design;

FIG. 2 is a perspective view of the left, front, and bottom; and

FIG. 3 is a perspective view in the opposite direction.

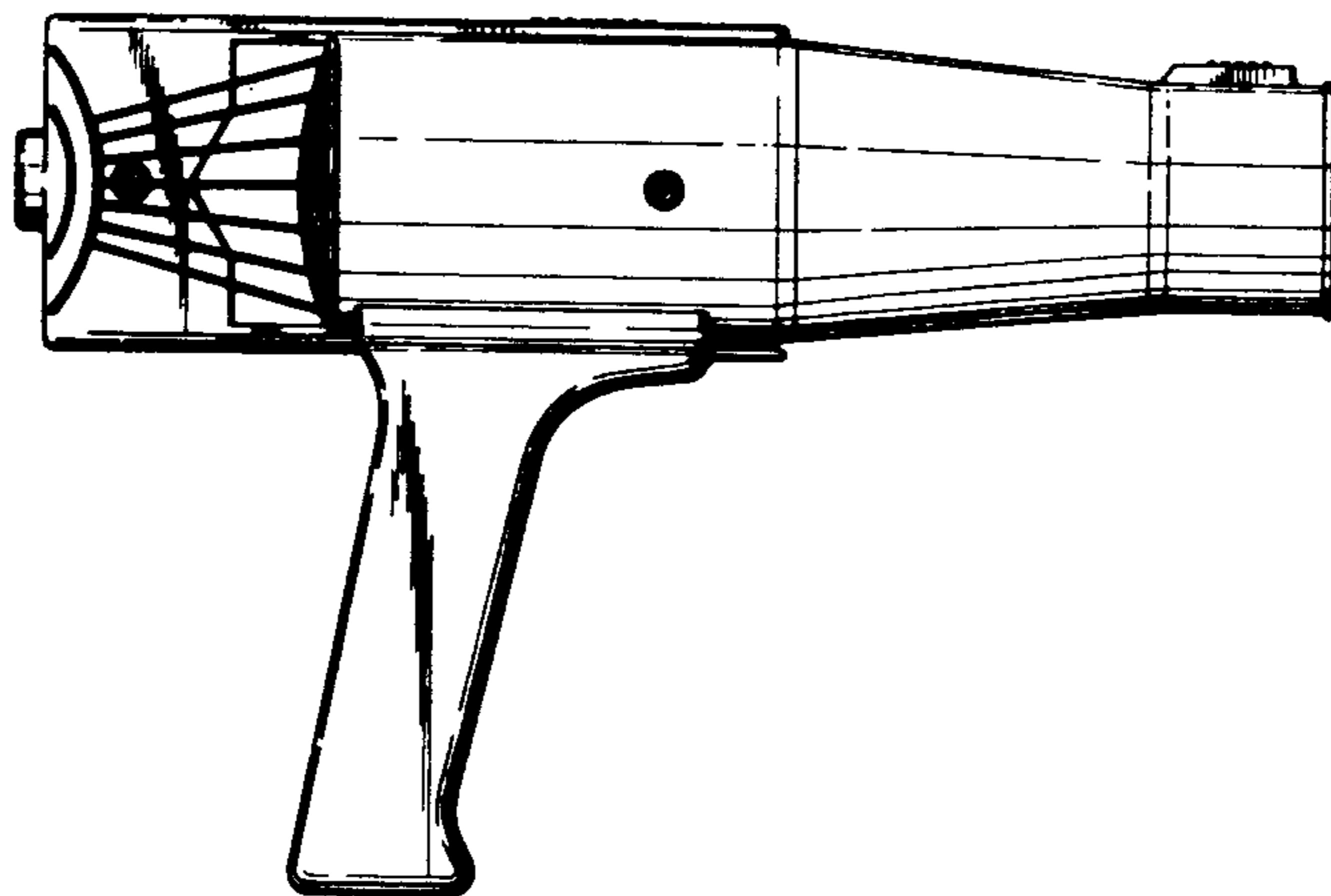


Fig. 1.

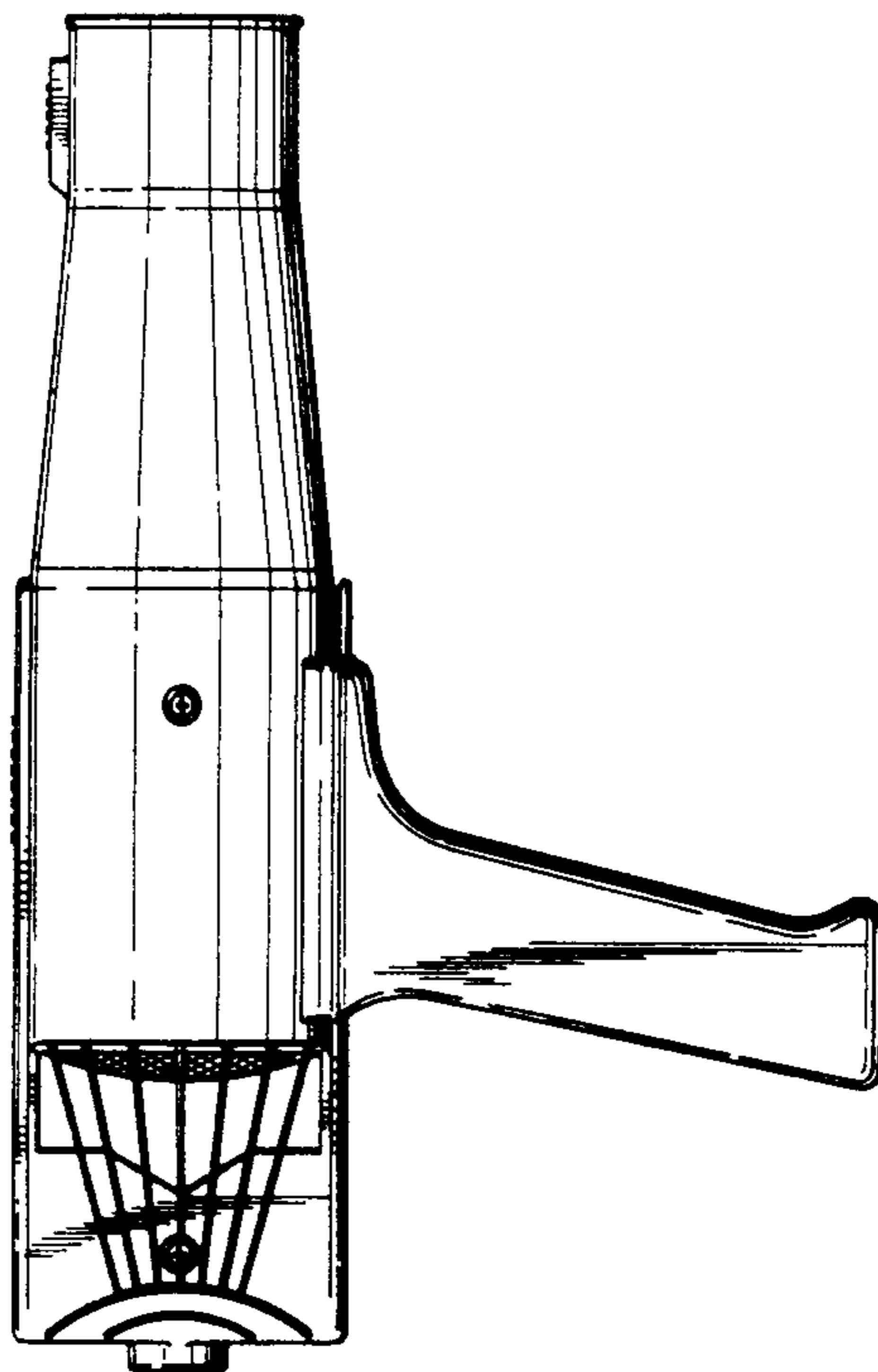


Fig. 2.

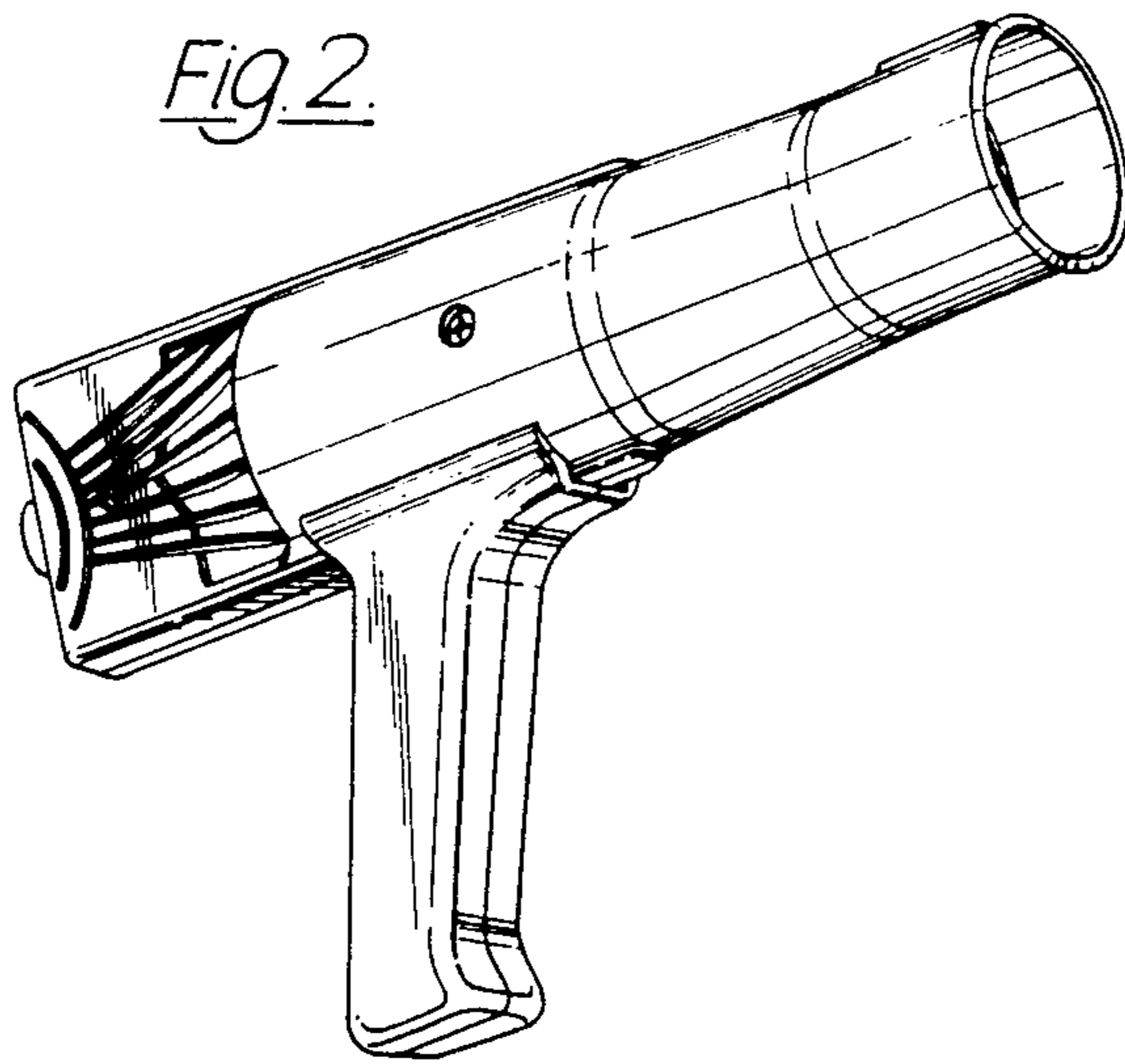


Fig. 3.

