

[54] WATER PIPE

[76] Inventor: Mark E. Murphy, 476 #B Sturtevant Dr., Sierra Madre, Calif. 91024

[\*\*] Term: 14 Years

[21] Appl. No.: 970,220

[22] Filed: Dec. 18, 1978

[51] Int. Cl. .... D27-02

[52] U.S. Cl. .... D27/03

[58] Field of Search ..... D27/2, 3, 4, 5, 6, 7; 131/170 R, 171 R, 173

[56] References Cited

U.S. PATENT DOCUMENTS

D. 245,343 8/1977 Kahler ..... D27/3  
D. 249,070 8/1978 Evans ..... D27/3

Primary Examiner—Catherine E. Kemper  
Attorney, Agent, or Firm—Richard F. Bojanowski

[57] CLAIM

The ornamental design for a water pipe, as shown and described.

DESCRIPTION

FIG. 1 is a perspective view of the water pipe showing my new design.

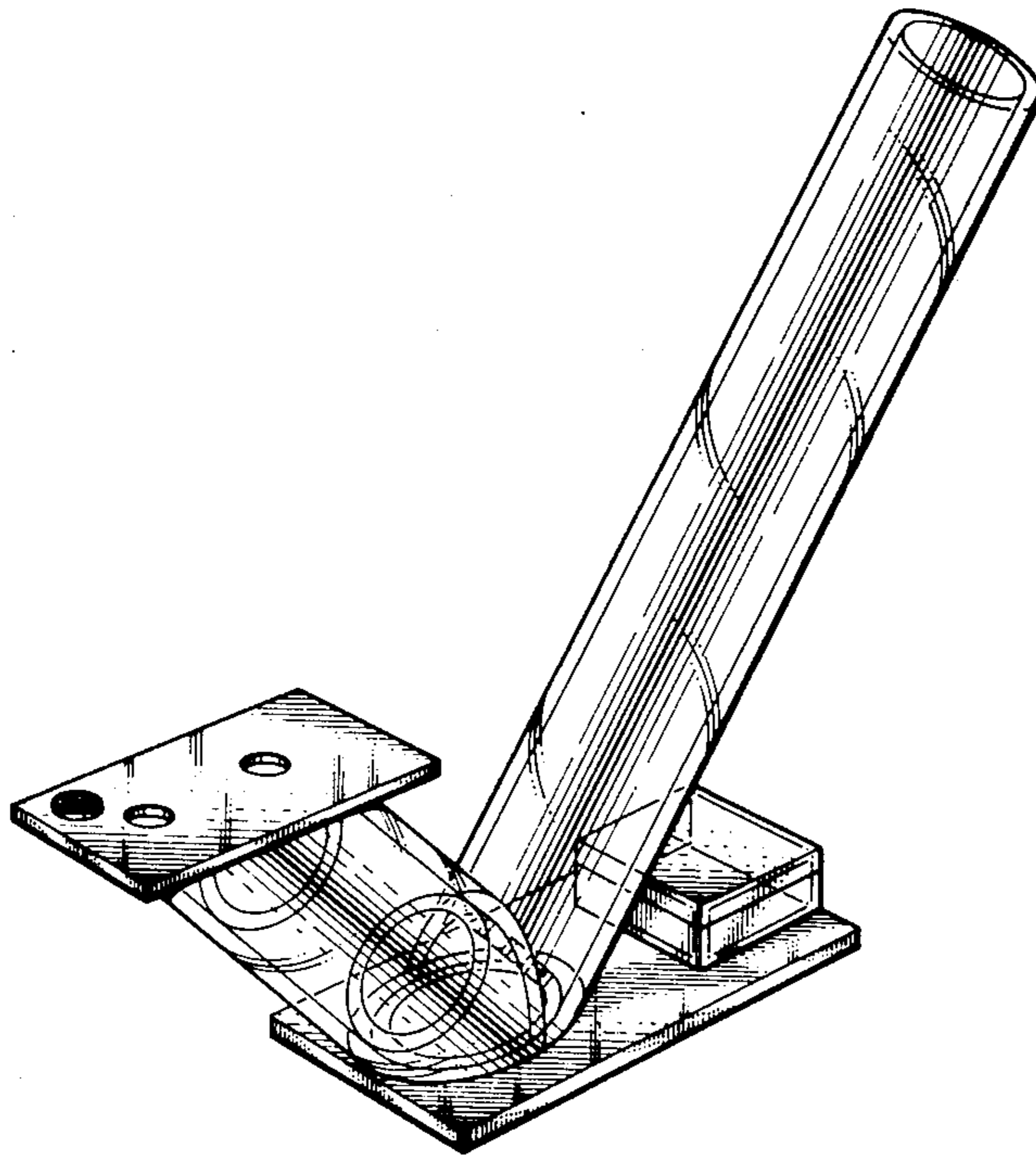
FIG. 2 is a front elevational view thereof.

FIG. 3 is a rear elevational view thereof.

FIG. 4 is a top plan view thereof.

FIG. 5 is a right side elevational view thereof.

FIG. 6 is a bottom plan view thereof.



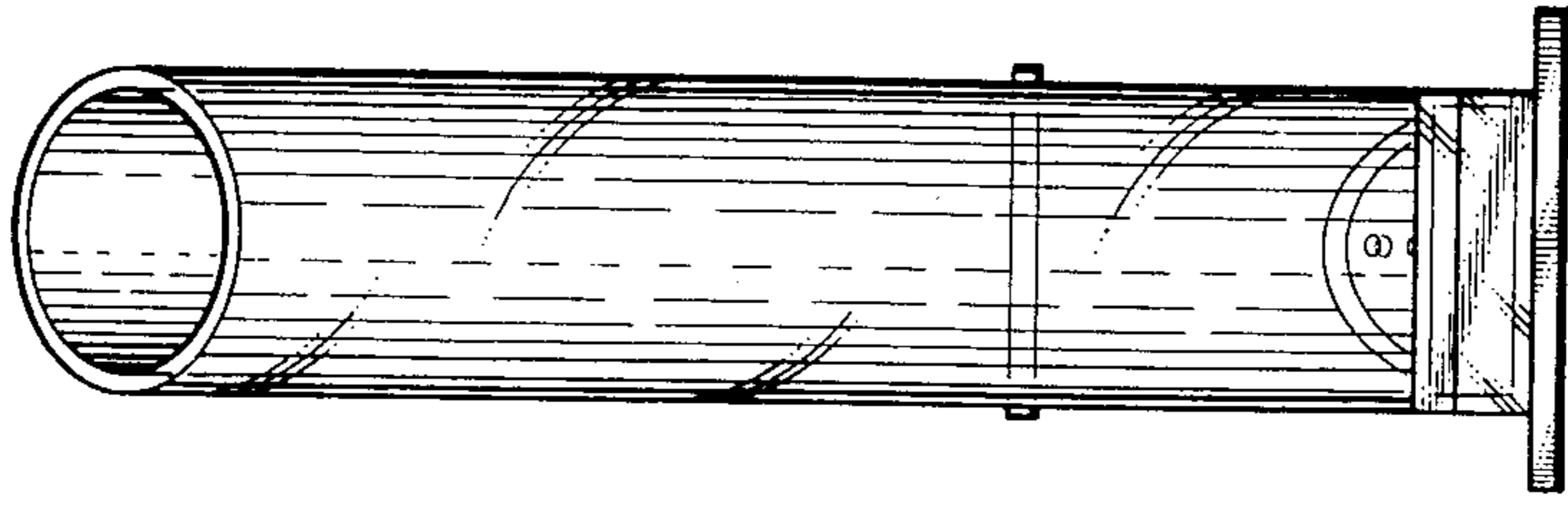


FIG. 3

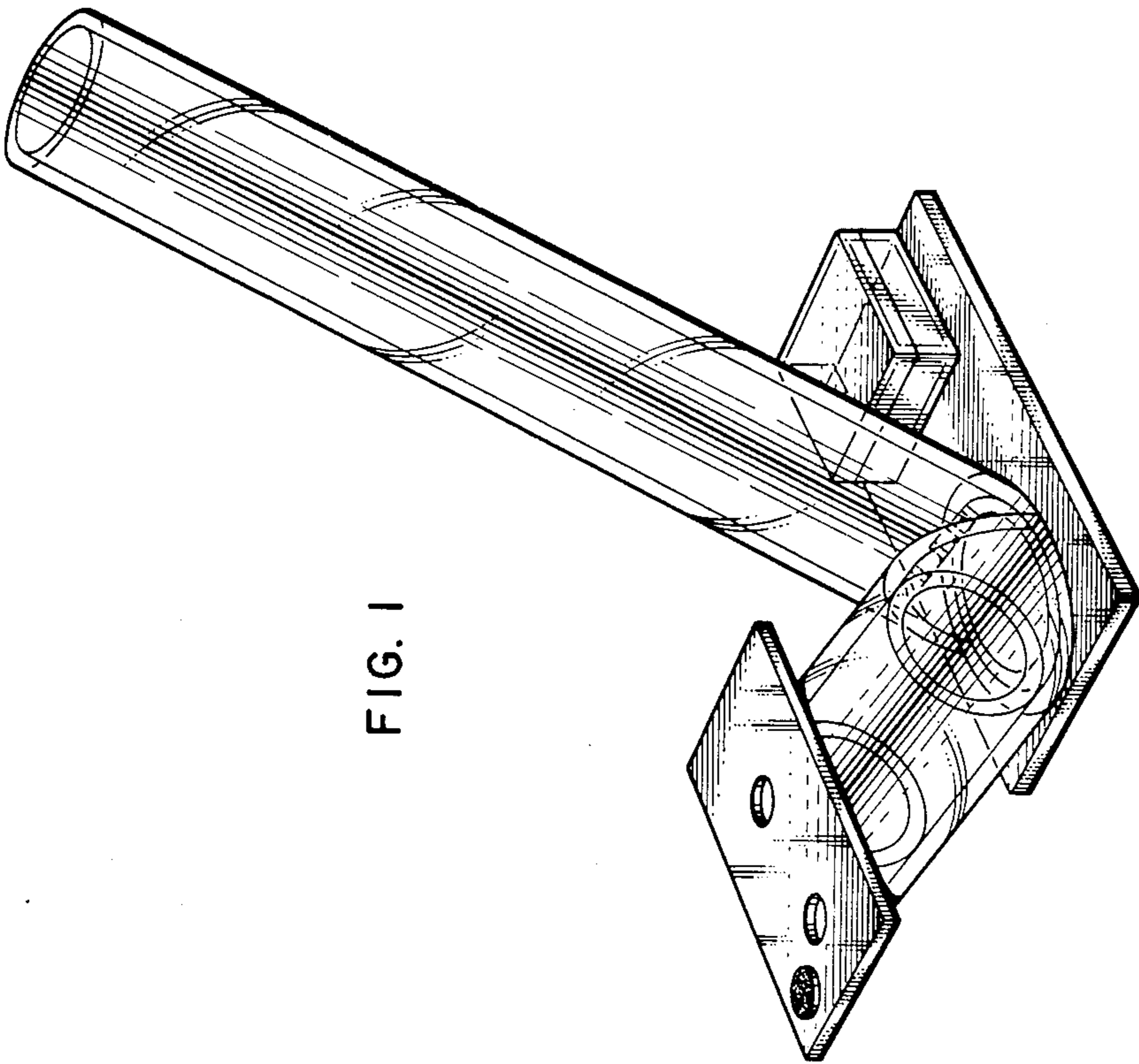


FIG. 1

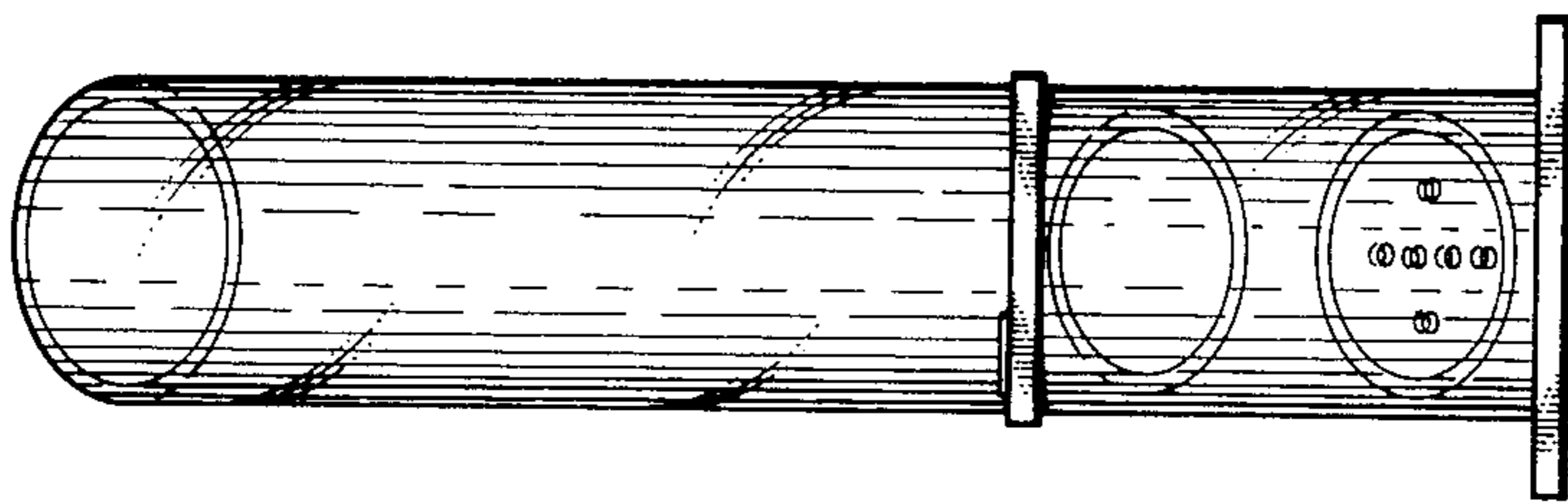


FIG. 2

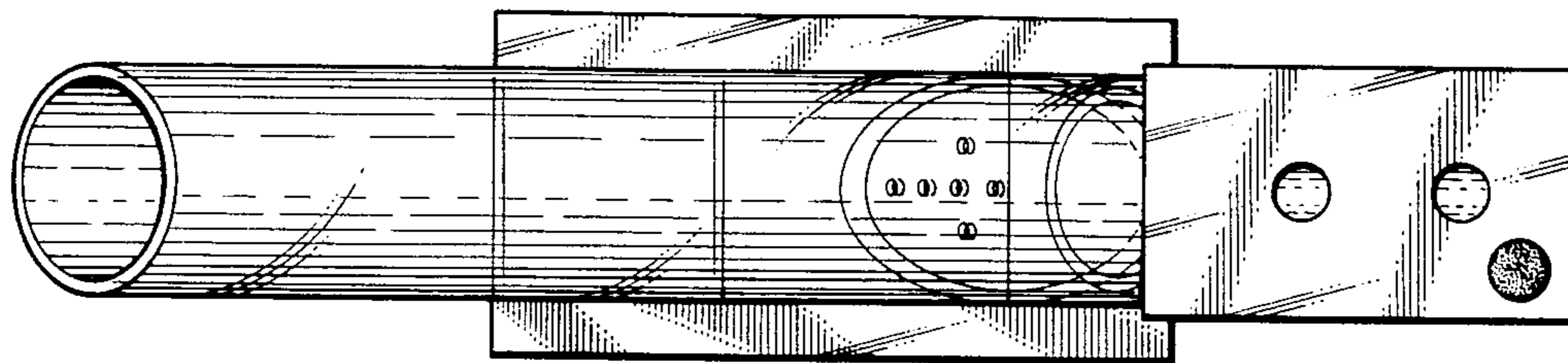


FIG. 4

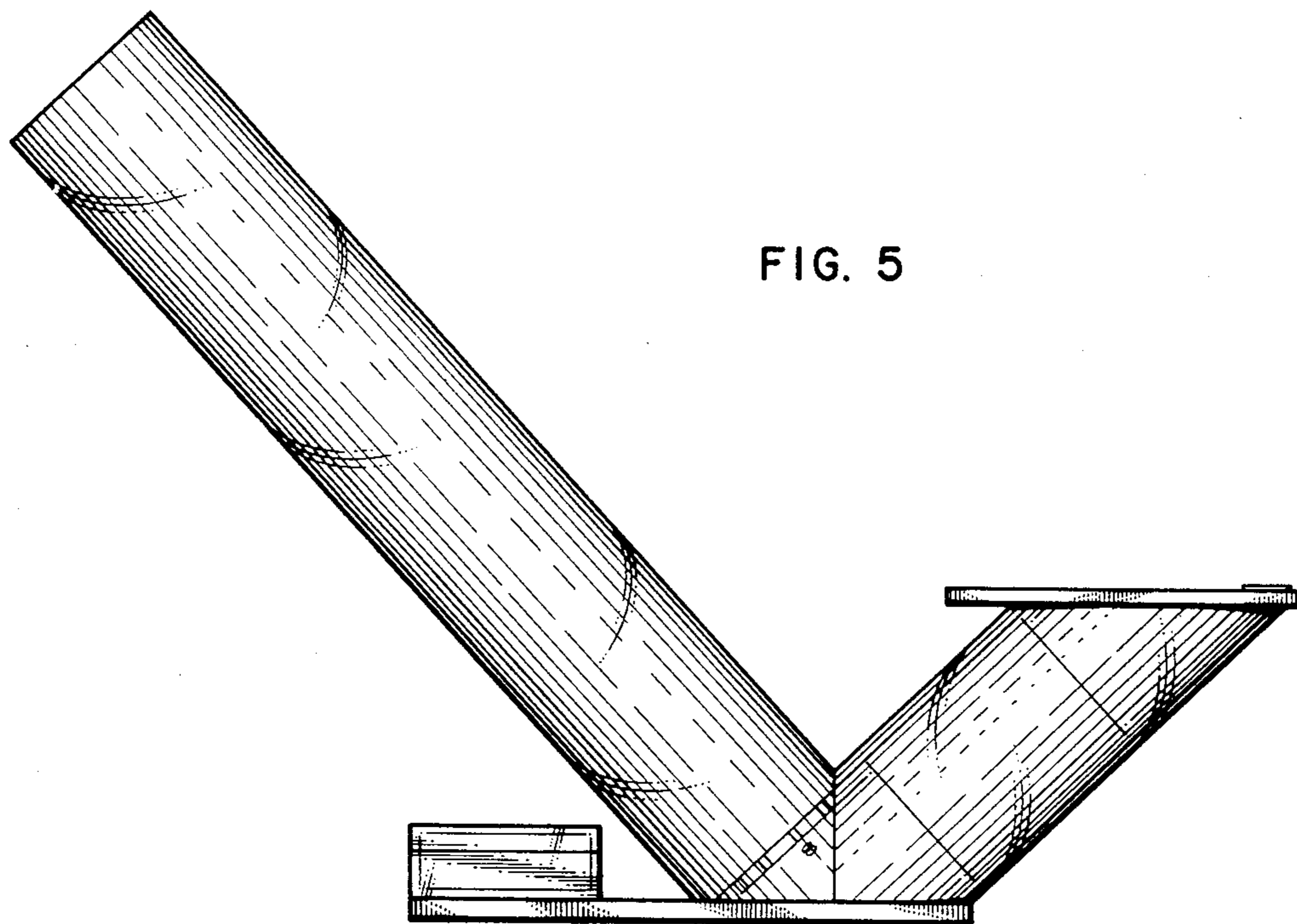


FIG. 5

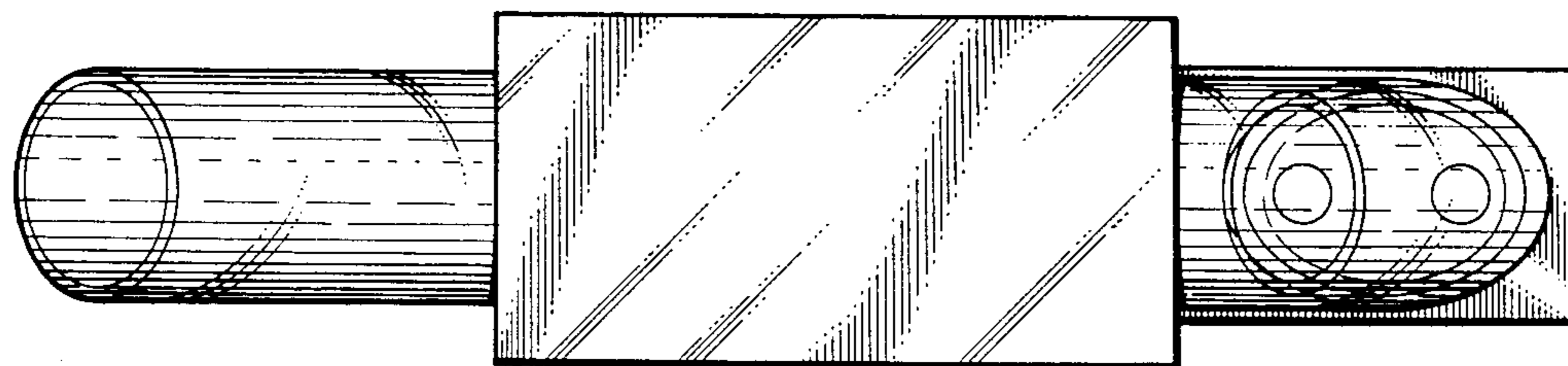


FIG. 6