

[54] COMBINED LAMP HOUSING AND BASE THEREFOR

[75] Inventors: Thurman Bowls, Louisville; Donald G. Falk, Taylorsville; Jon M. Newgard, Louisville, all of Ky.

[73] Assignee: General Electric Company, Schenectady, N.Y.

[**] Term: 14 Years

[21] Appl. No.: 917,812

[22] Filed: Jun. 22, 1978

[51] Int. Cl. D26-05

[52] U.S. Cl. D26/63

[58] Field of Search D48/20 K, 20 E, 16 D; 362/227, 235, 269, 285, 290, 329, 341, 362, 368, 370, 410, 413, 418, 421; D26/61-66

[56] References Cited

U.S. PATENT DOCUMENTS

D. 152,806	2/1949	Klein	D48/20 K
D. 204,791	5/1966	Schwartz	D48/20 K
D. 222,556	11/1971	Mattson et al.	D48/20 K
3,428,798	2/1969	Hilzen	362/217

Primary Examiner—Catherine E. Kemper
Attorney, Agent, or Firm—Paul F. Wille

[57] CLAIM

The ornamental design for a combined lamp housing and base therefor, as shown and described.

DESCRIPTION

FIG. 1 is a perspective view of a combined lamp housing and base therefor showing our new design.

FIG. 2 is a side view thereof on a reduced scale.

FIG. 3 is an end view thereof on a reduced scale.

The conventional electric cord has been shown fragmentarily in all views for convenience of illustration.

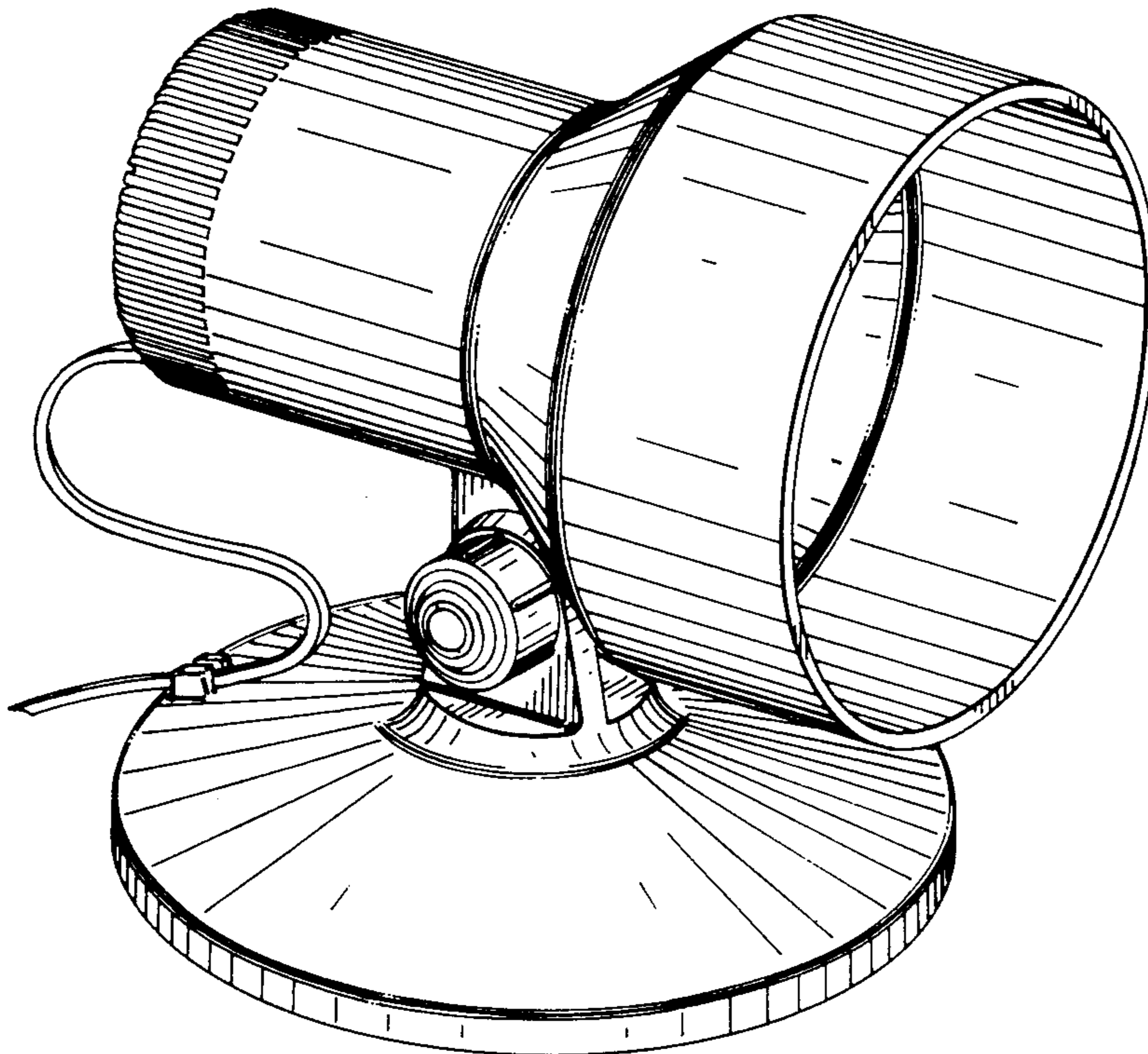


Fig. 1

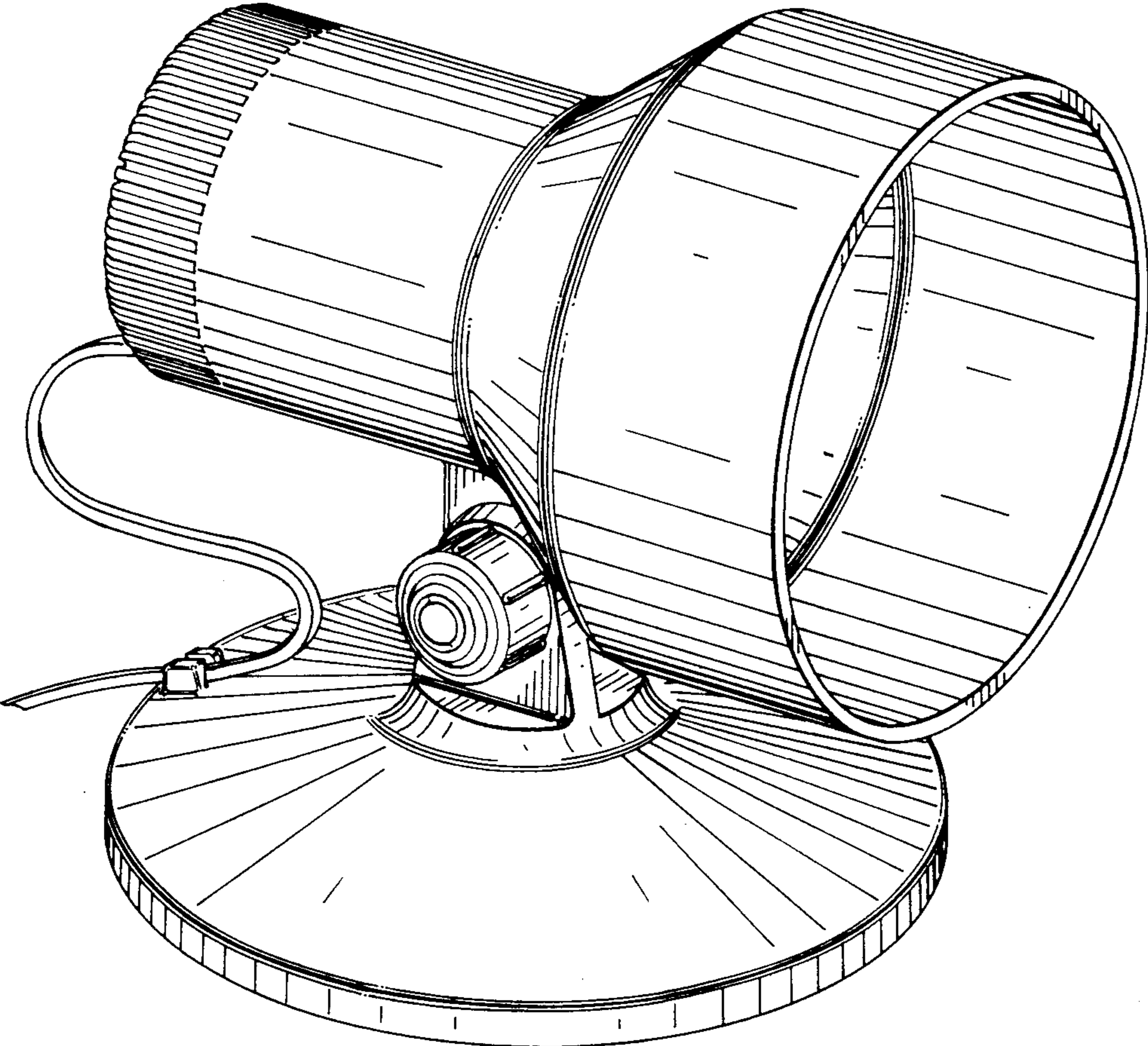


Fig. 2

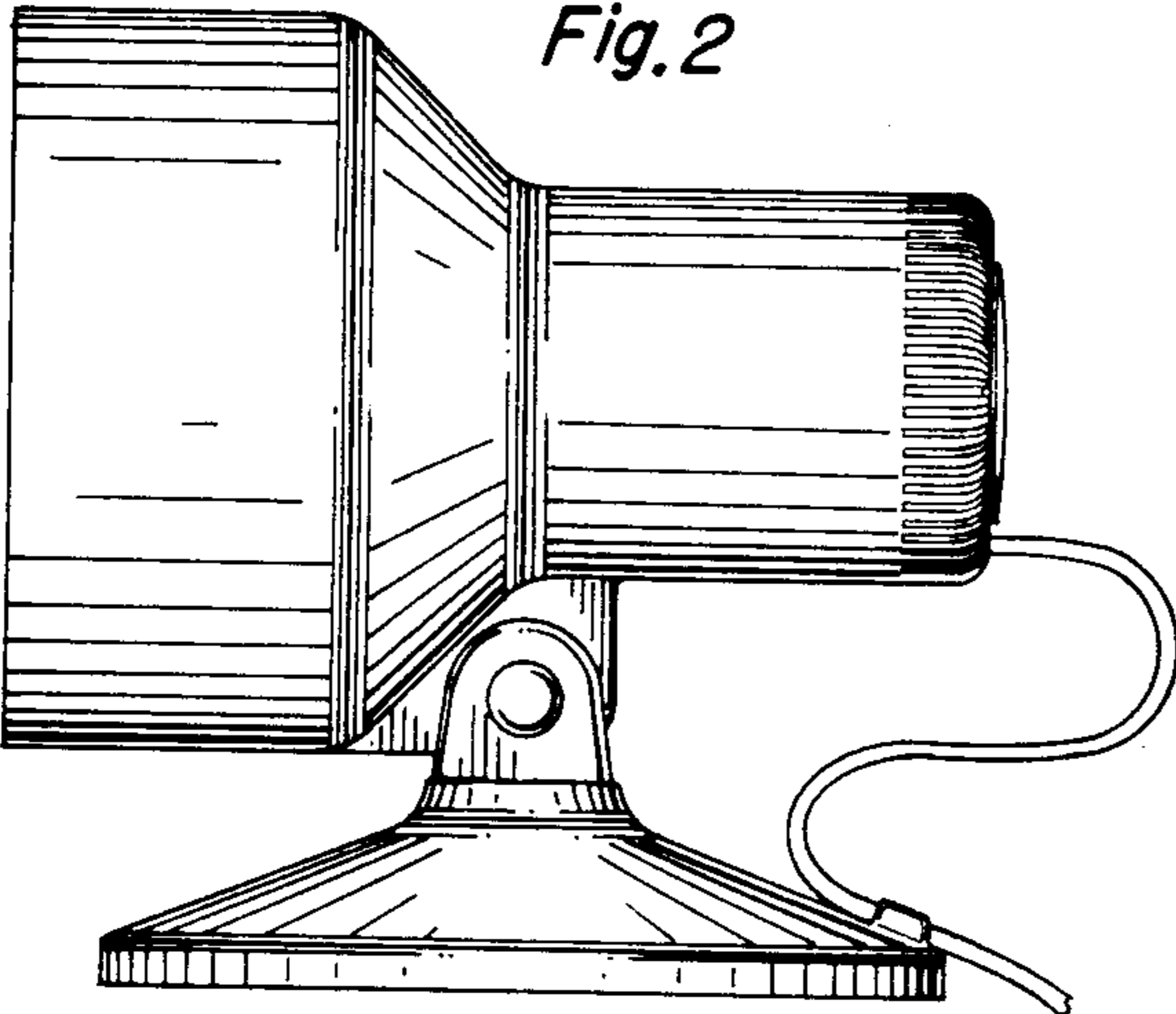


Fig. 3

