

[54] DENTAL CUSPIDOR

3,359,575 12/1967 Nielsen 4/263

[75] Inventor: Theodore E. Schmidt, Carlton, Oreg.

Primary Examiner—Sam Rosen
Attorney, Agent, or Firm—Kenneth S. Klarquist

[73] Assignee: A-Dec, Inc., Newberg, Oreg.

[57] CLAIM

[**] Term: 14 Years

The ornamental design for a dental cuspidor, as shown.

[21] Appl. No.: 877,907

DESCRIPTION

[22] Filed: Feb. 15, 1978

FIG. 1 is a perspective view of a dental cuspidor, showing my design;

[51] Int. Cl. D24—01

FIG. 2 is a top plan view thereof;

[52] U.S. Cl. D24/5; D24/4

FIG. 3 is a side elevation view thereof;

[58] Field of Search D24/4, 5, 10; 4/263, 4/264; D7/190

FIG. 4 is a bottom plan view thereof;

FIG. 5 is a rear elevation view thereof; and

FIG. 6 is a front elevation view thereof.

[56] References Cited

U.S. PATENT DOCUMENTS

The water cup and mounting support are shown in broken lines in FIGS. 1, 3 and 5 for illustrative purposes only and do not form part of the claimed design.

D. 208,304 8/1967 Krantz D24/5

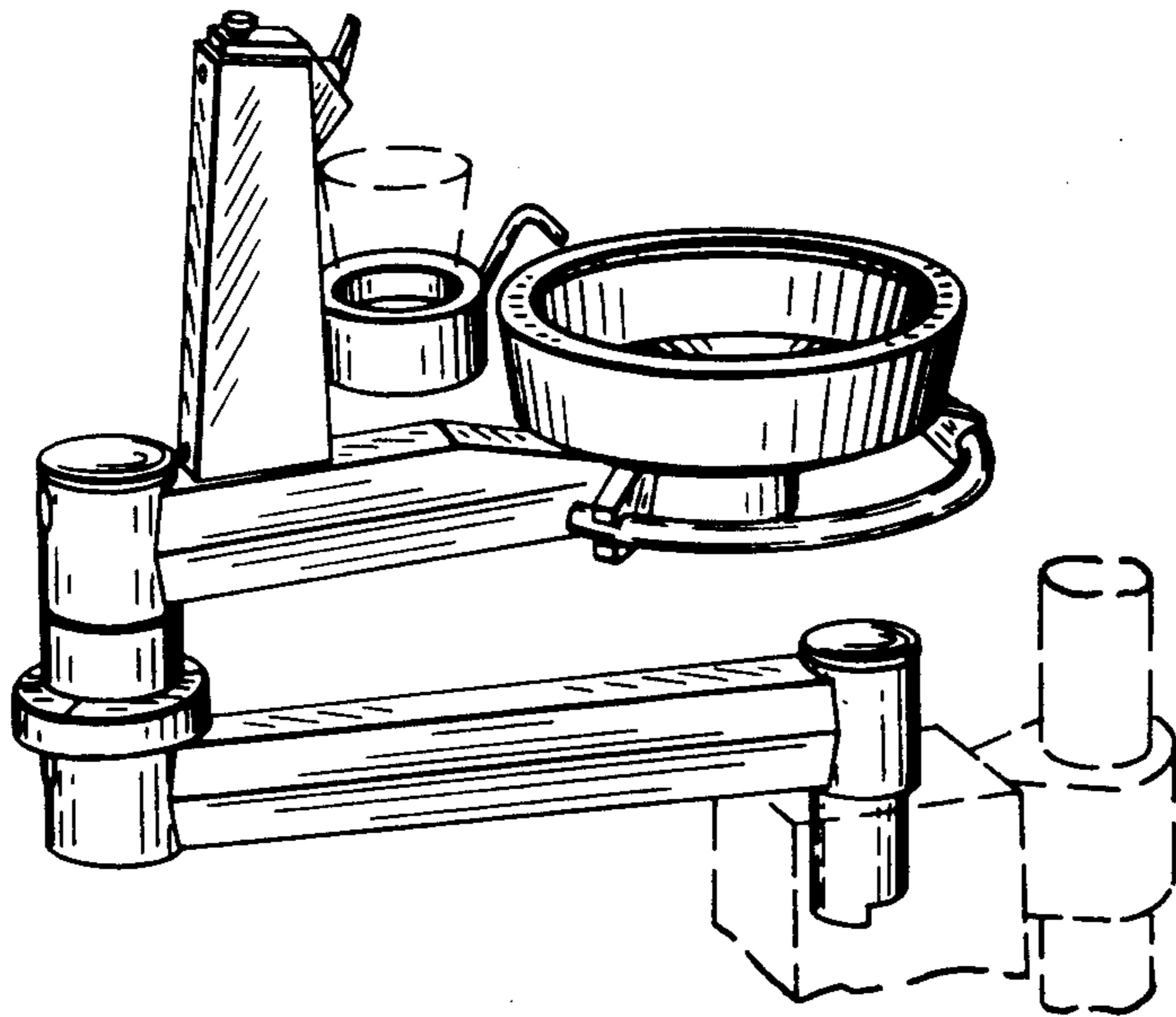


FIG. 1

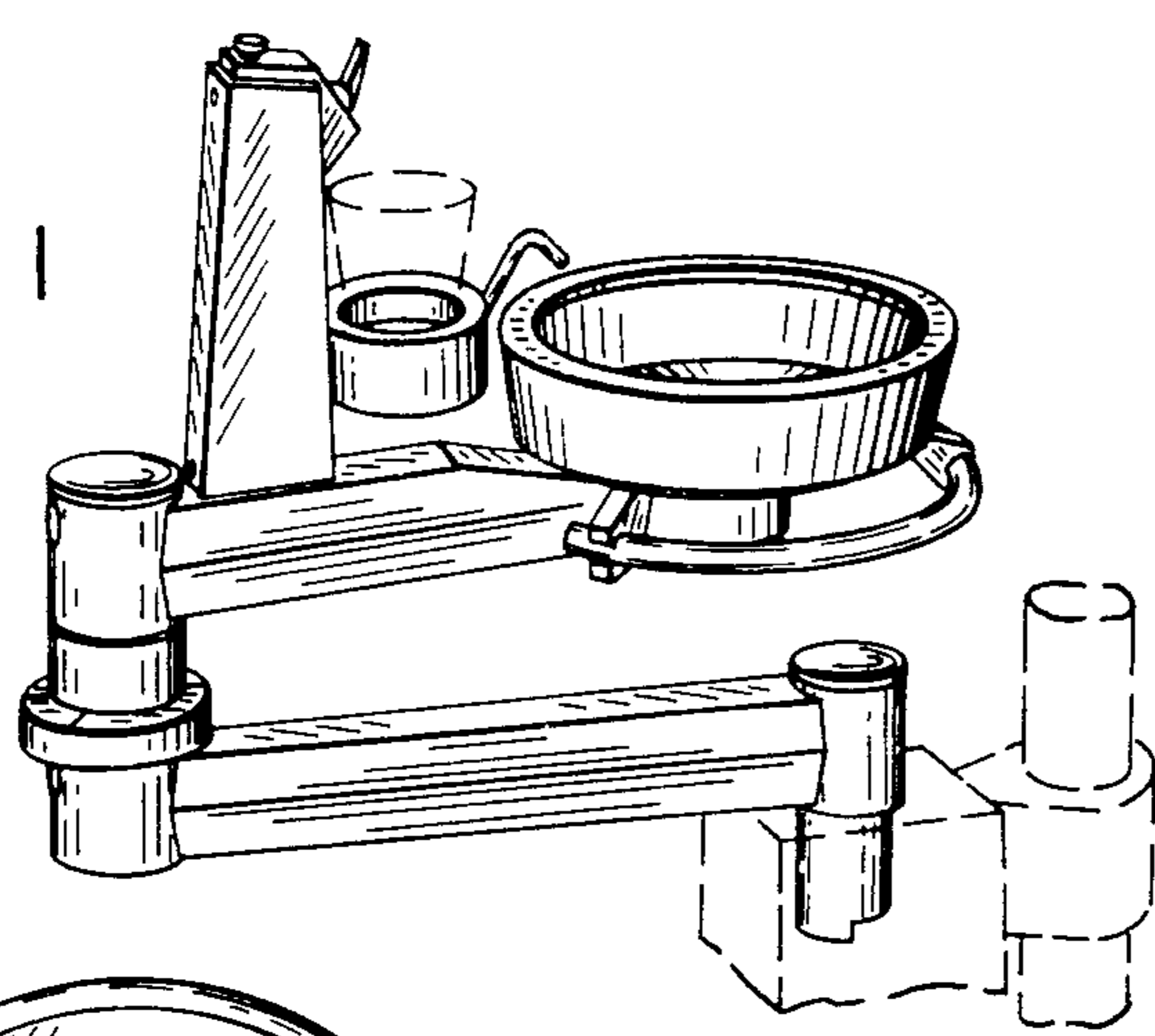


FIG. 5

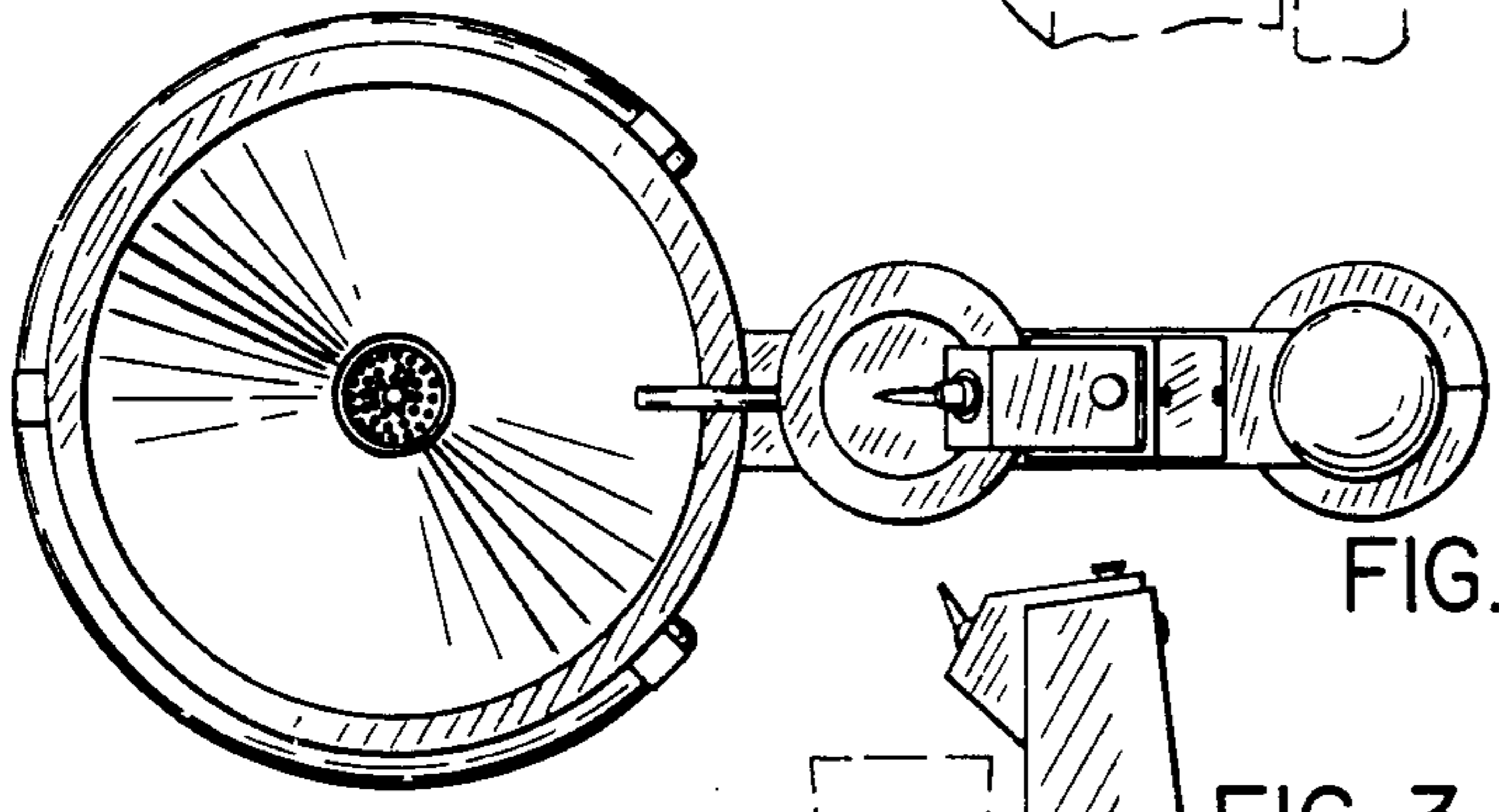
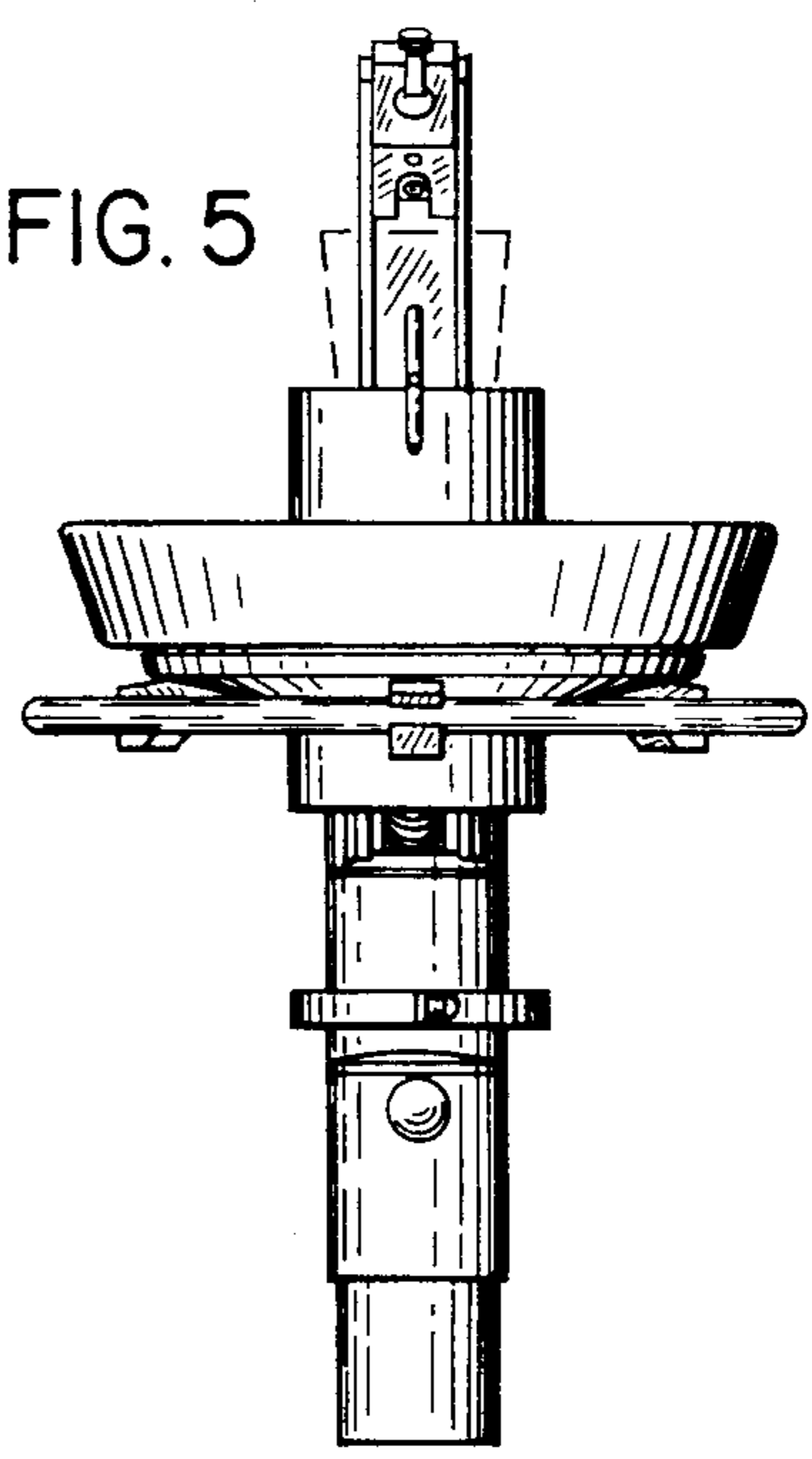


FIG. 2

FIG. 3

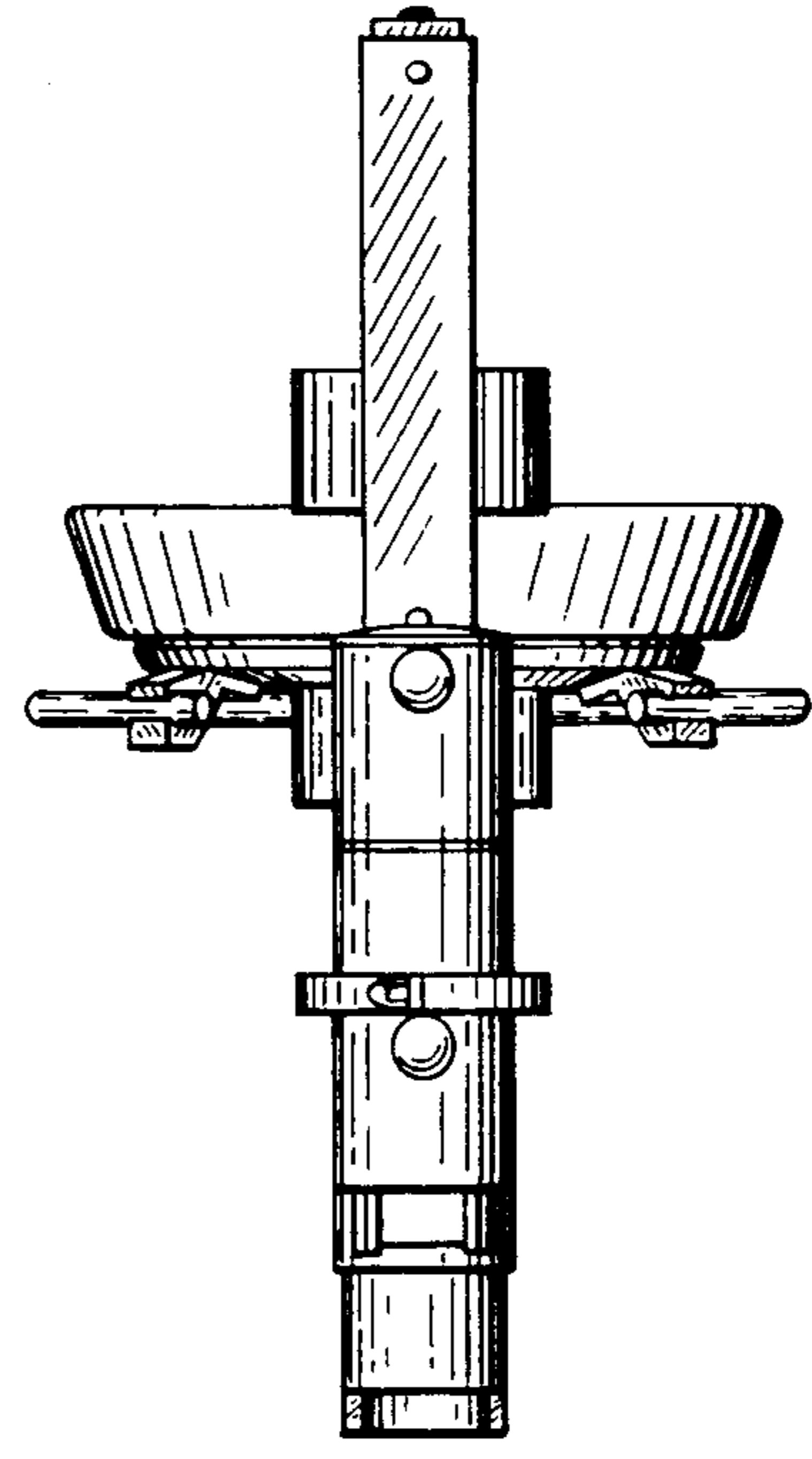
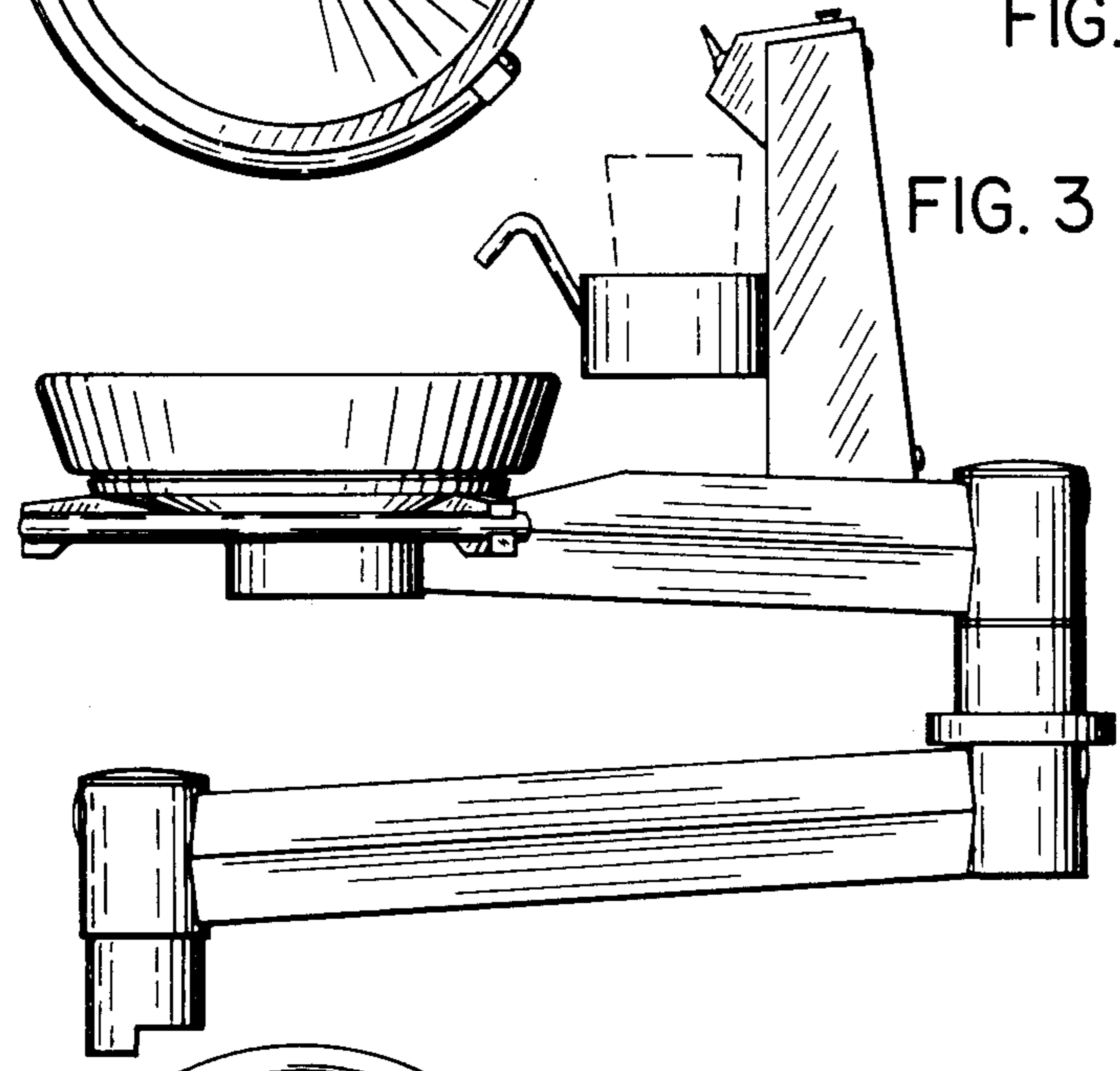


FIG. 6

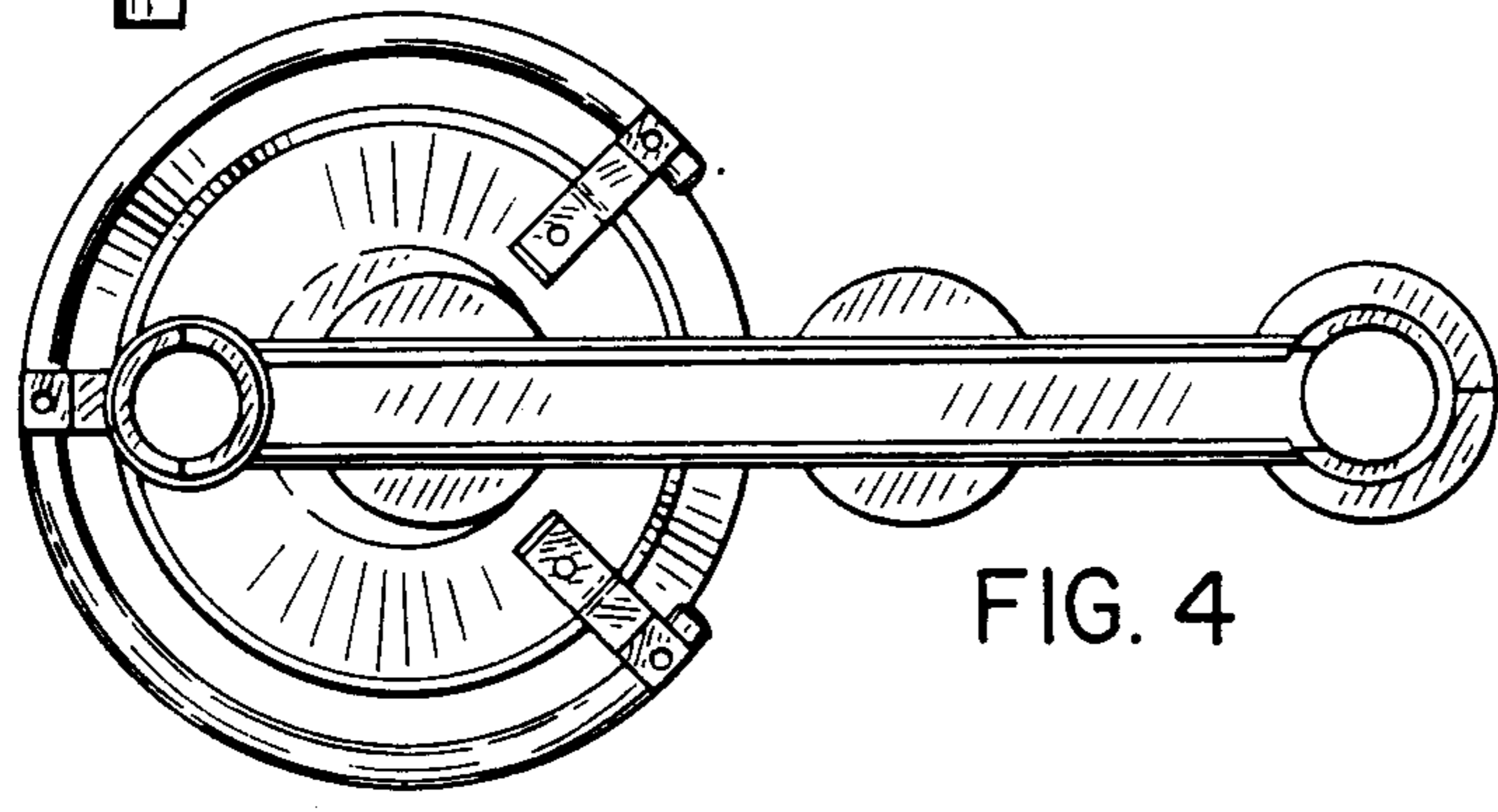


FIG. 4