

[54] **BLANK FOR AN ELBOW FITTING**

[75] **Inventors:** **Bernard J. Gallagher**, Mayfield;
Erling G. Wennerstrom; **Mark R. Houdek**, both of Cleveland; **Laszlo Aliczky**, Solon, all of Ohio

[73] **Assignee:** **Cajon Company**, Macedonia, Ohio

[**] **Term:** **14 Years**

[21] **Appl. No.:** **23,659**

[22] **Filed:** **Mar. 26, 1979**

[51] **Int. Cl.** **D23—01**

[52] **U.S. Cl.** **D23/43**

[58] **Field of Search** **D23/40—47;**
285/39, 179, 219, 220

[56] **References Cited**

U.S. PATENT DOCUMENTS

D. 56,925	1/1921	Humphrey	D23/43
D. 117,590	11/1939	Wilson	D23/43
D. 166,653	4/1952	Warren	D23/40

D. 229,409	11/1973	Luckenbill	D23/43
1,868,037	7/1932	Weatherhead, Jr.	285/179 X
2,342,425	2/1944	Parkor	285/179 X
2,674,786	4/1954	Crawley	285/179 X
2,871,032	1/1959	Woodling	285/179 X
3,112,127	11/1963	Campbell	285/219 X

Primary Examiner—James R. Largen
Attorney, Agent, or Firm—Albert P. Sharpe, III

[57] **CLAIM**

The ornamental design for a blank for an elbow fitting, as shown and described.

DESCRIPTION

FIG. 1 is a perspective view taken from the top, front and left side of a blank for an elbow fitting showing our new design;

FIG. 2 is a front elevational view thereof, the rear being a mirror image of the front shown;

FIG. 3 is a left side elevational view thereof;

FIG. 4 is a right side elevational view thereof;

FIG. 5 is a top plan view thereof; and,

FIG. 6 is a bottom plan view thereof.

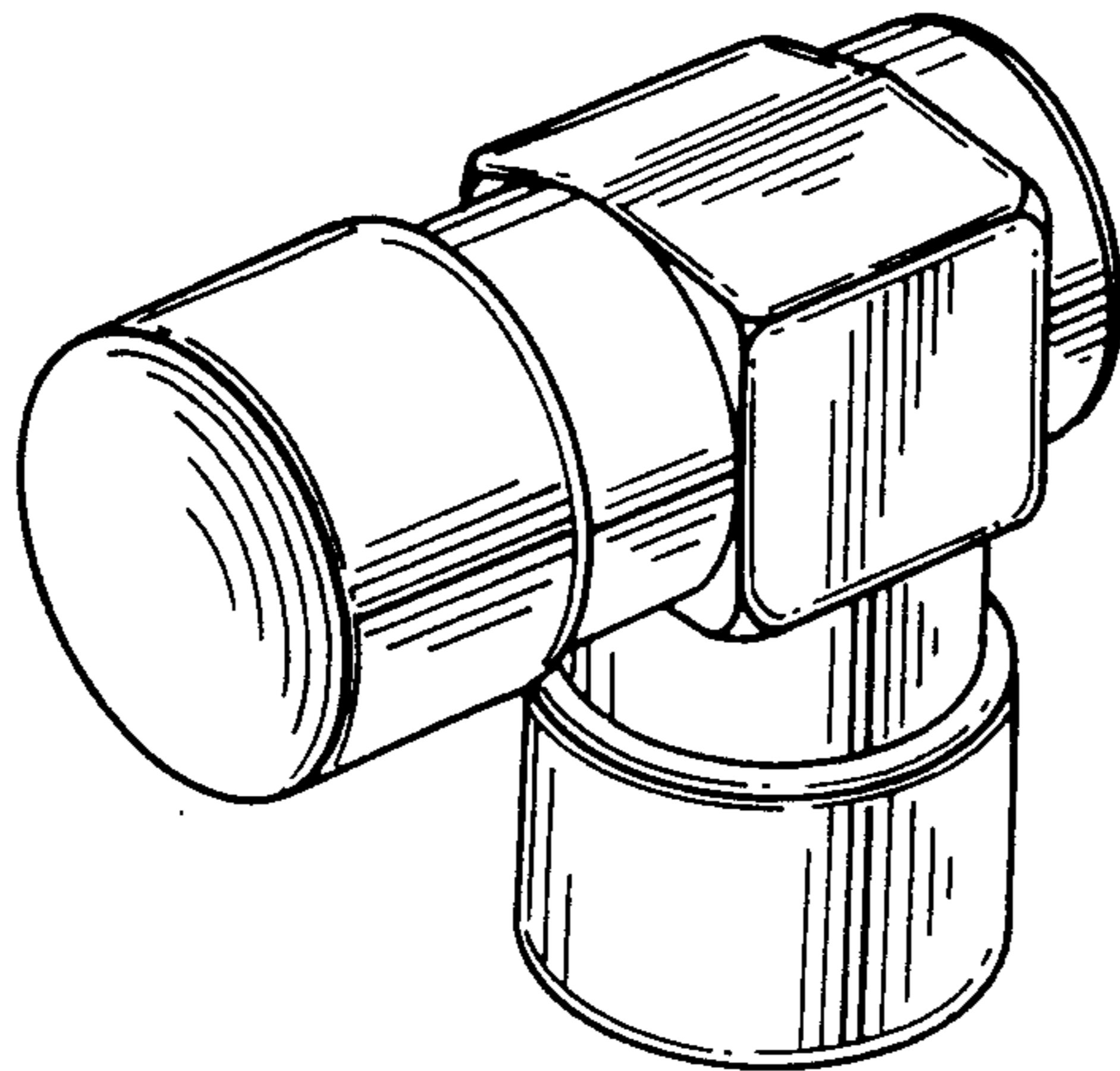


FIG. 1

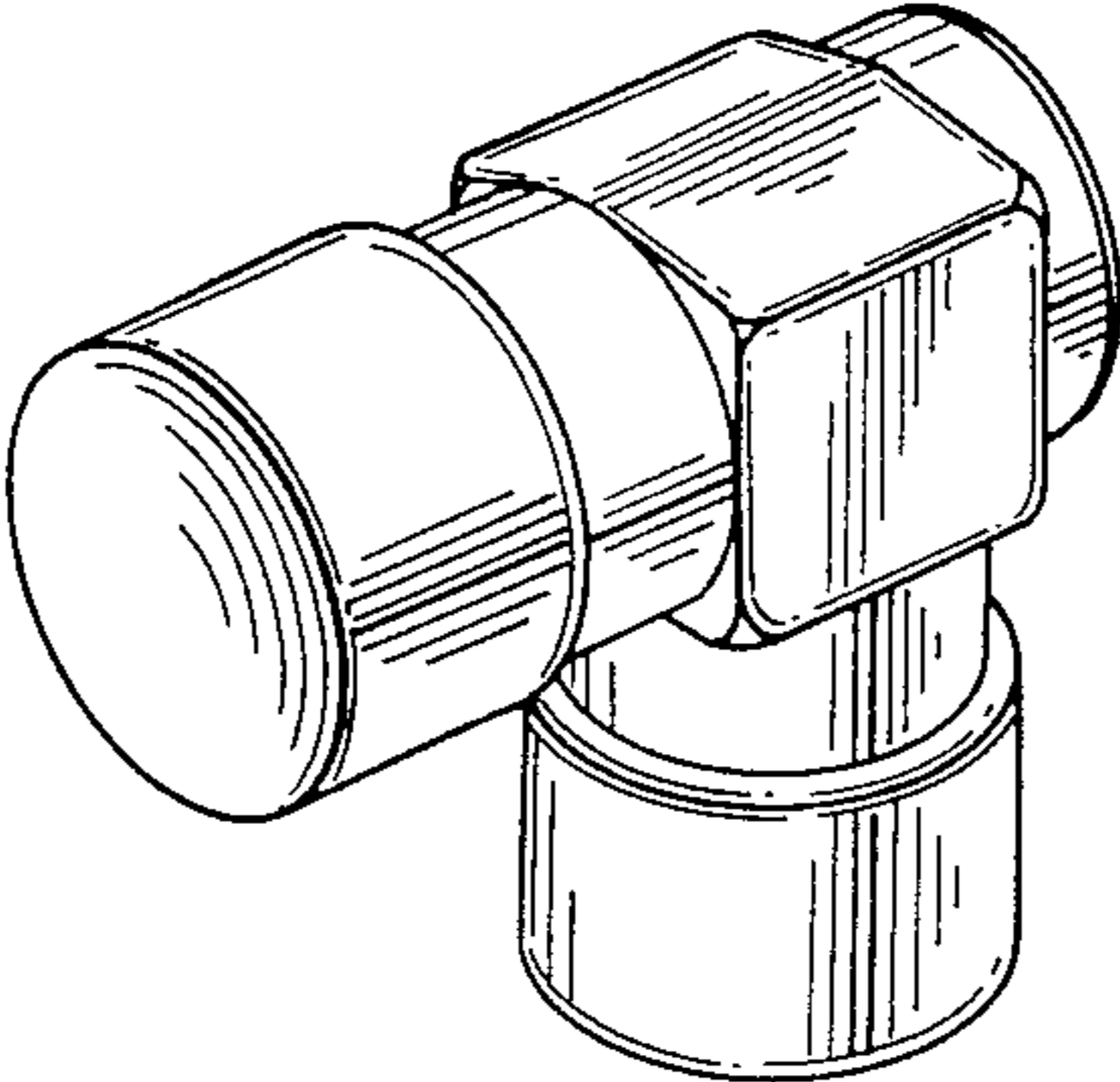


FIG. 5

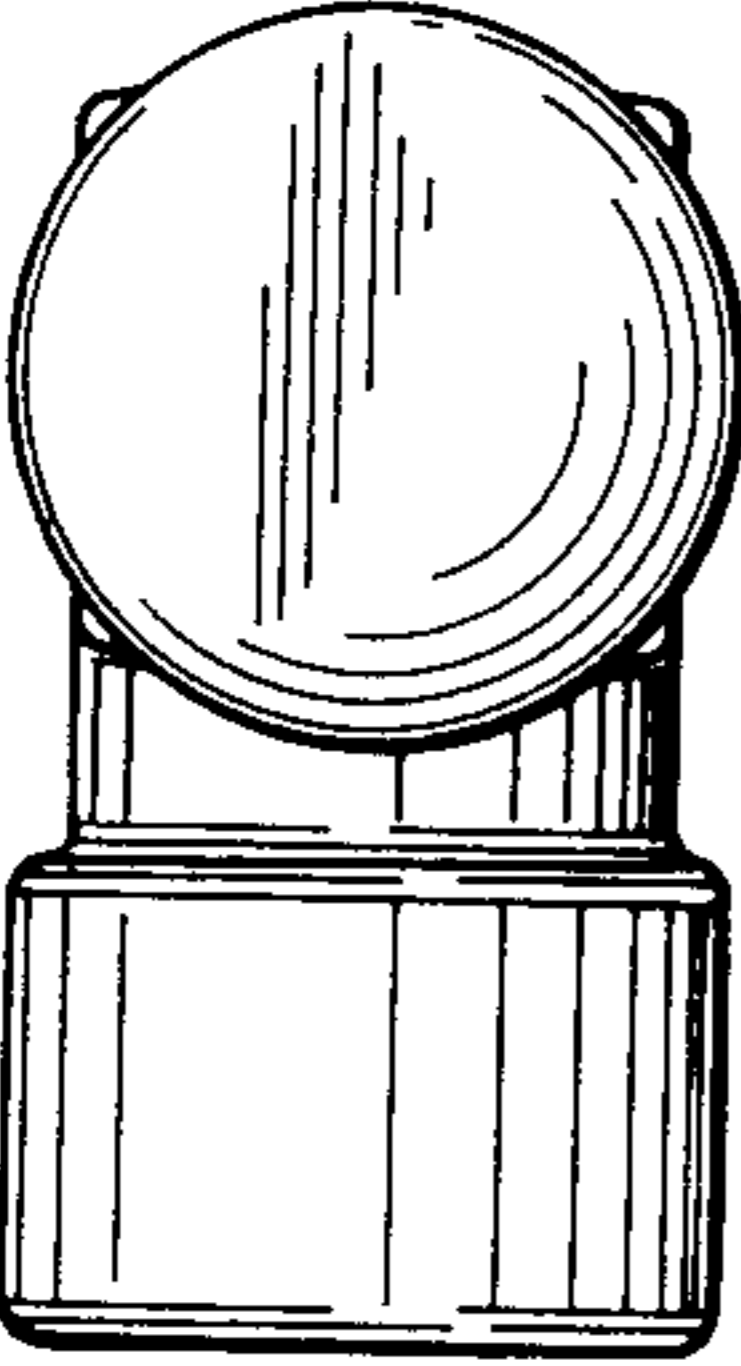
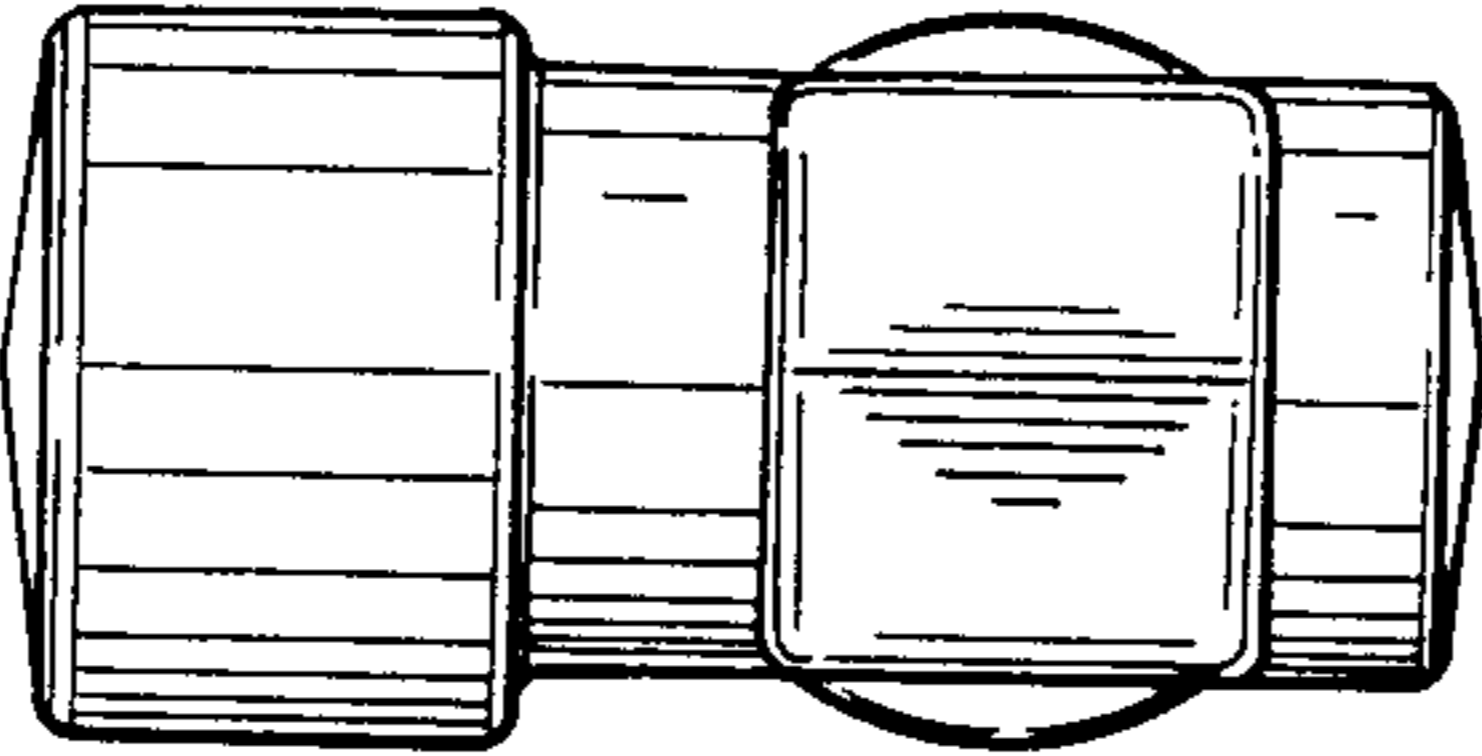


FIG. 3

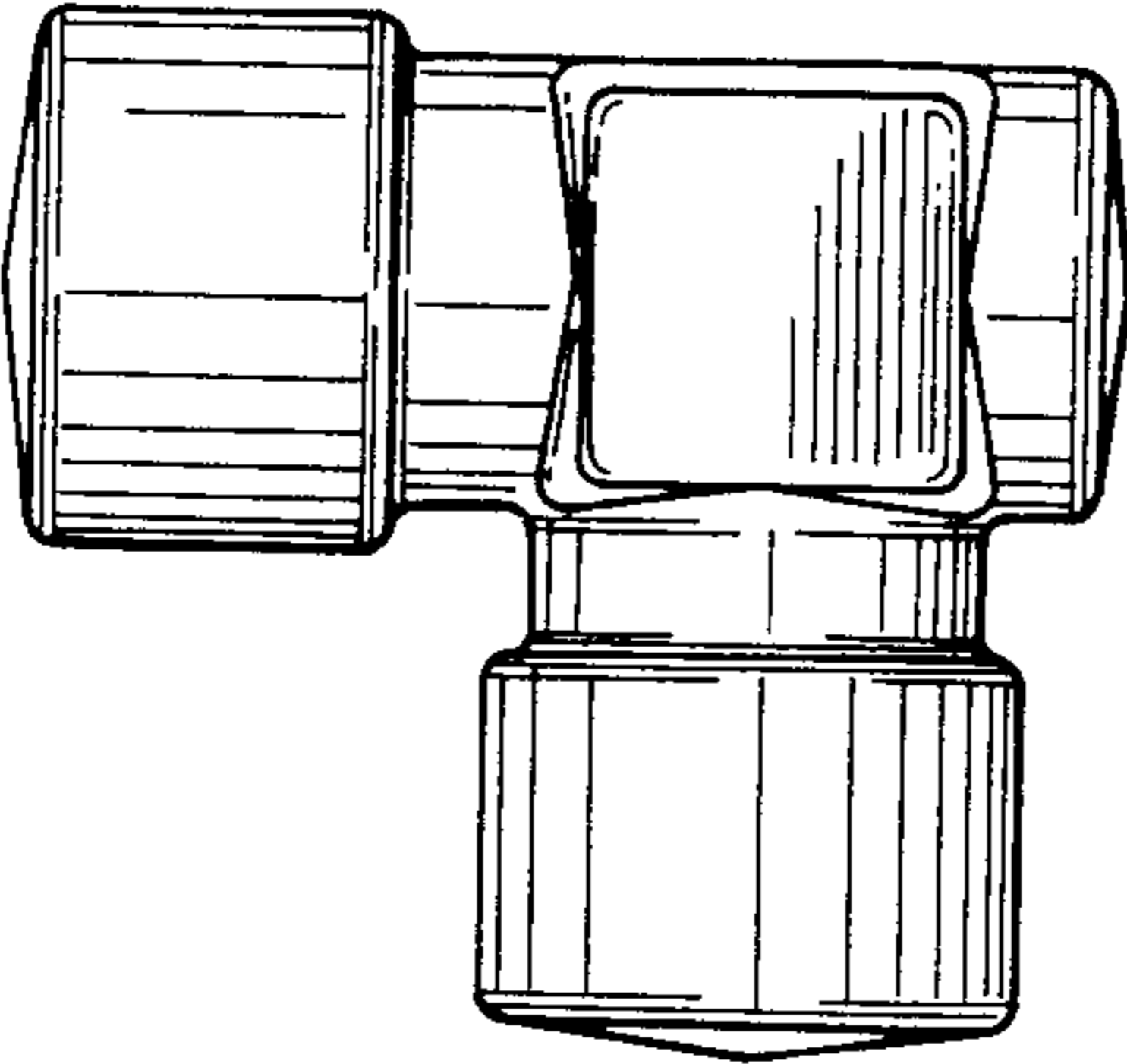


FIG. 2

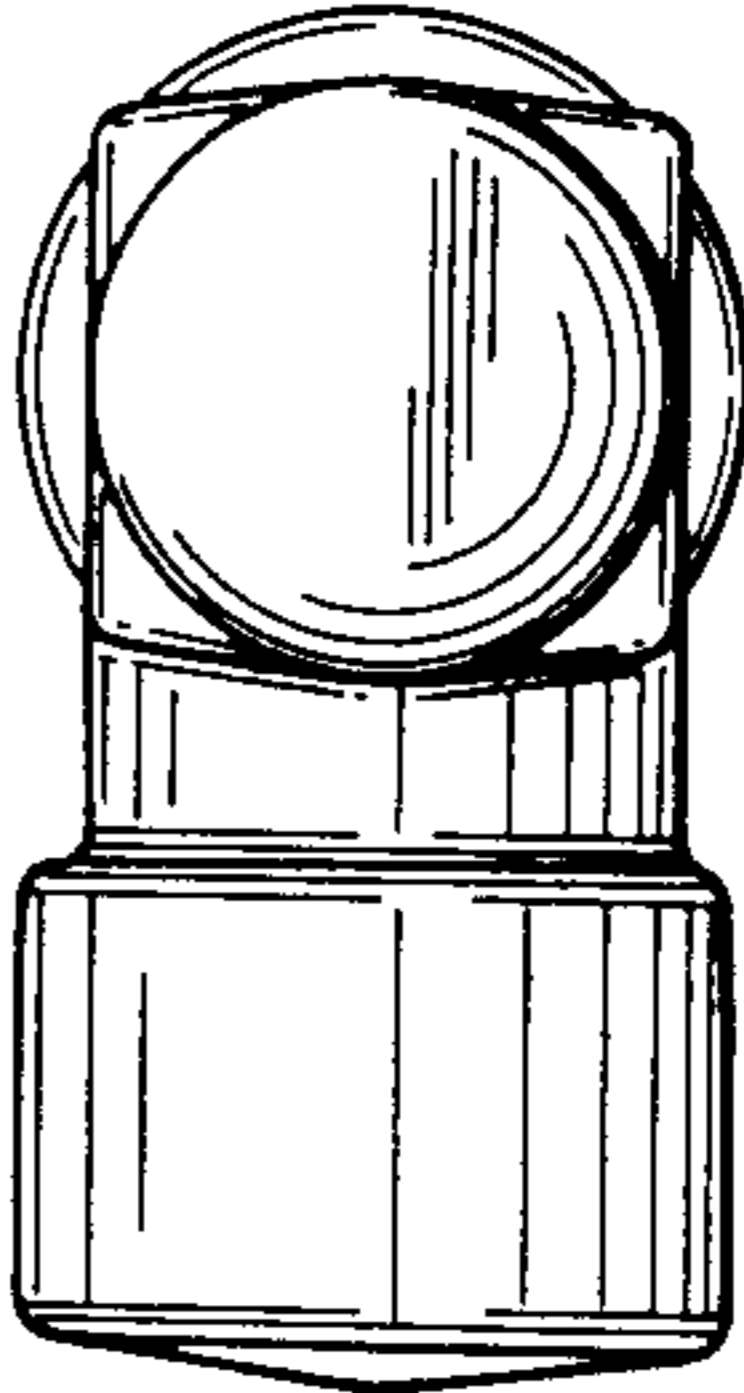


FIG. 4

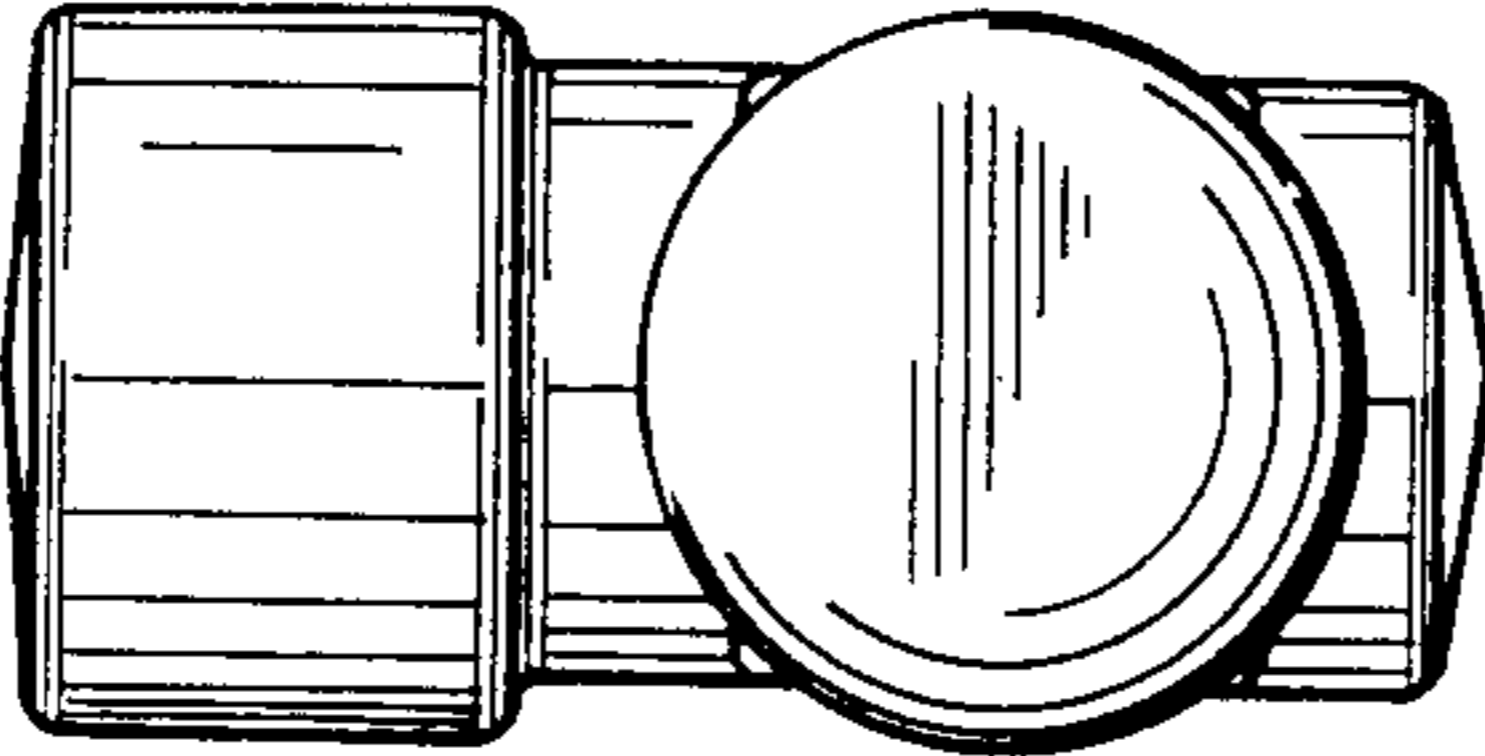


FIG. 6