

[54] TOY AIRPLANE

2,778,154 1/1957 Dauwe ..... 244/154

[76] Inventor: William G. Hoelt, 1774 Aiello Ct.,  
Concord, Calif. 94519

FOREIGN PATENT DOCUMENTS

748516 5/1956 United Kingdom ..... 244/154

[\*\*] Term: 14 Years

Primary Examiner—Charles A. Rademaker

[21] Appl. No.: 7,991

Assistant Examiner—Stella Reid

[22] Filed: Jan. 31, 1979

Attorney, Agent, or Firm—Sheldon R. Meyer

[51] Int. Cl. .... D21—01

[52] U.S. Cl. .... D21/89

[58] Field of Search ..... D21/82, 87, 88, 89,  
D21/91, 49; 244/153 R, 153 A, 154, 155; 46/74  
R, 74 D, 79, 80, 81

[57] CLAIM

The ornamental design for a toy airplane, as shown.

DESCRIPTION

FIG. 1 is a top plan view of a toy airplane showing my new design;

FIG. 2 is a front elevational view thereof;

FIG. 3 is a rear elevational view thereof;

FIG. 4 is a bottom plan view thereof;

FIG. 5 is a left-side elevational view thereof;

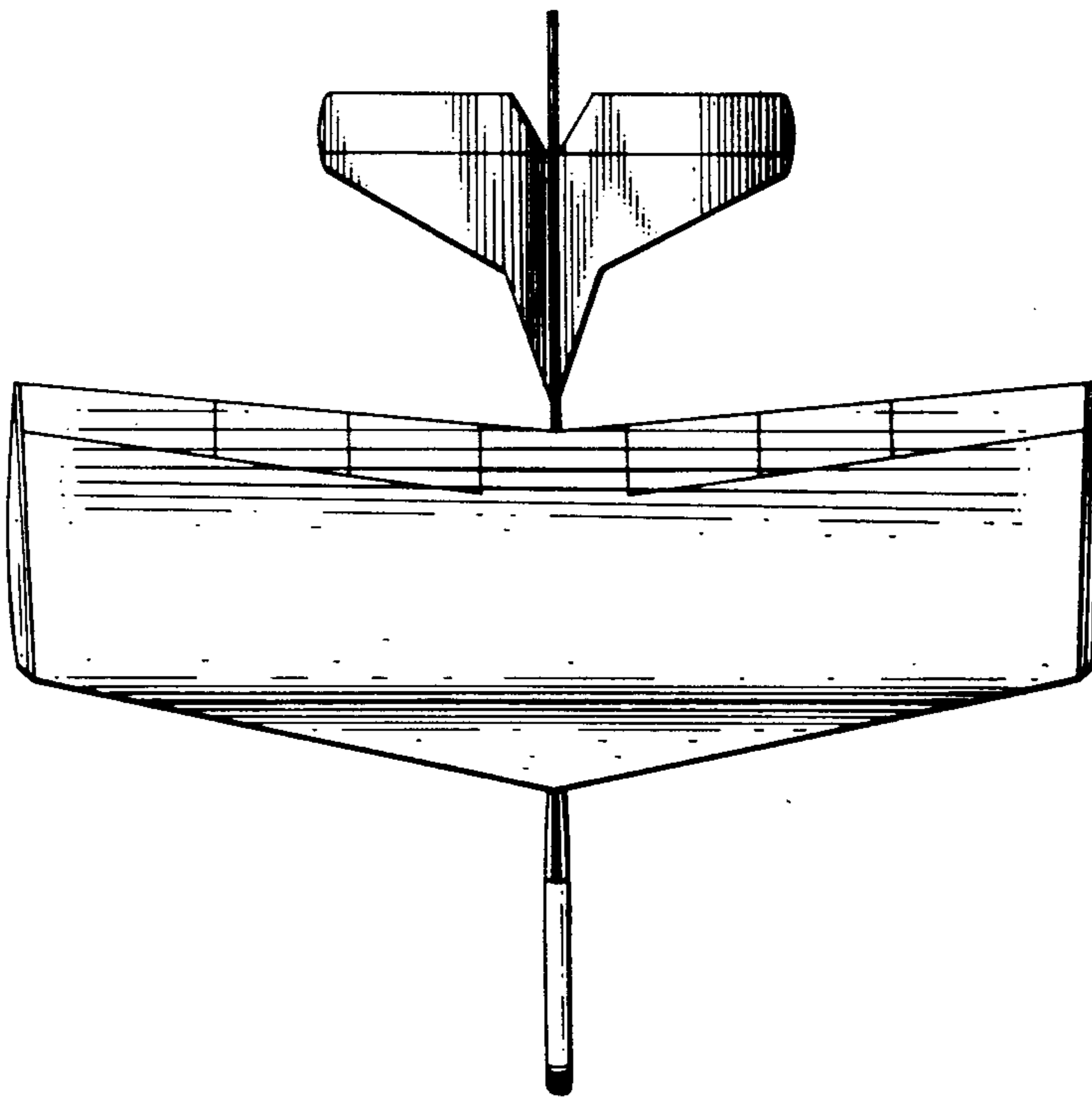
FIG. 6 is a top perspective view thereof; and,

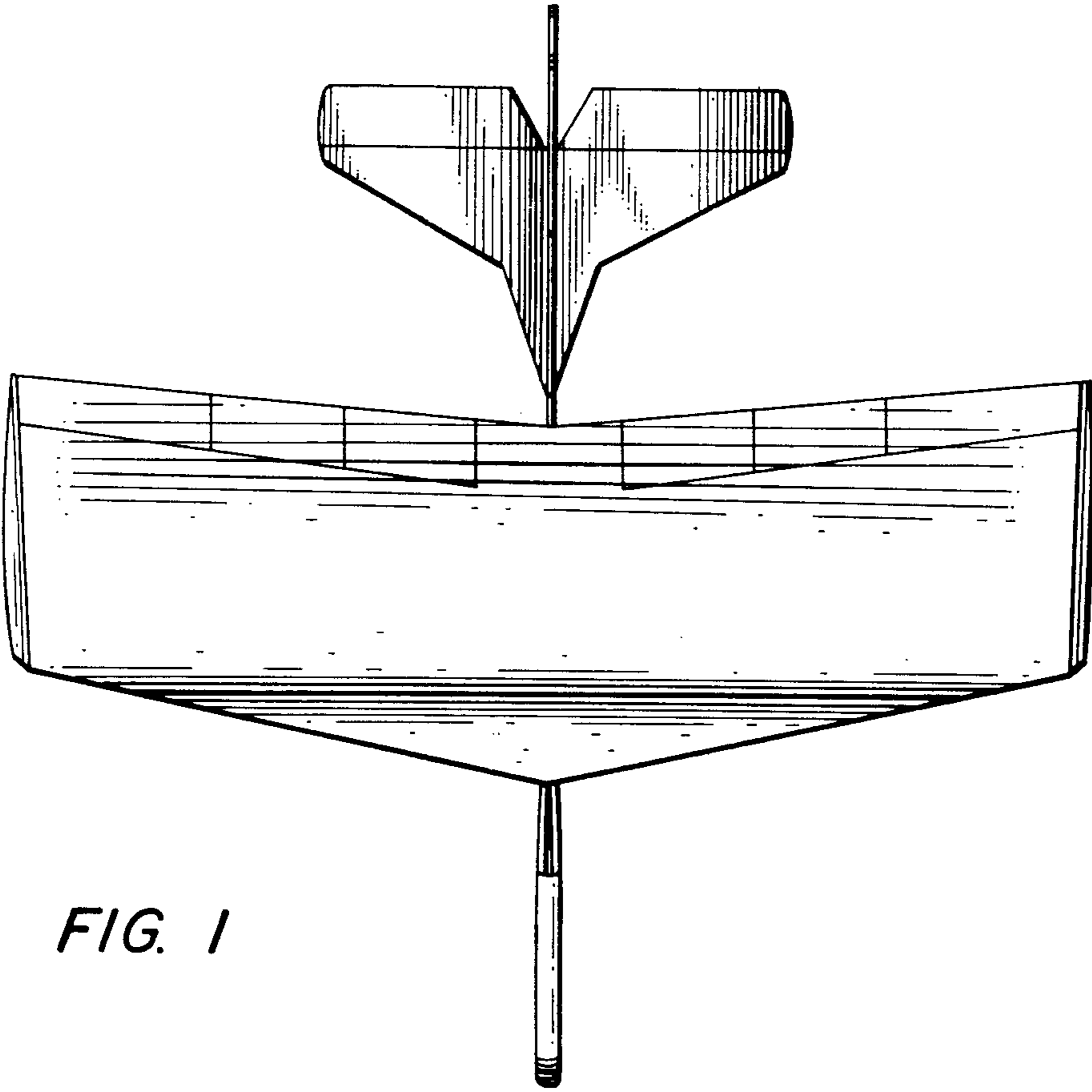
FIG. 7 is a bottom perspective view thereof.

[56] References Cited

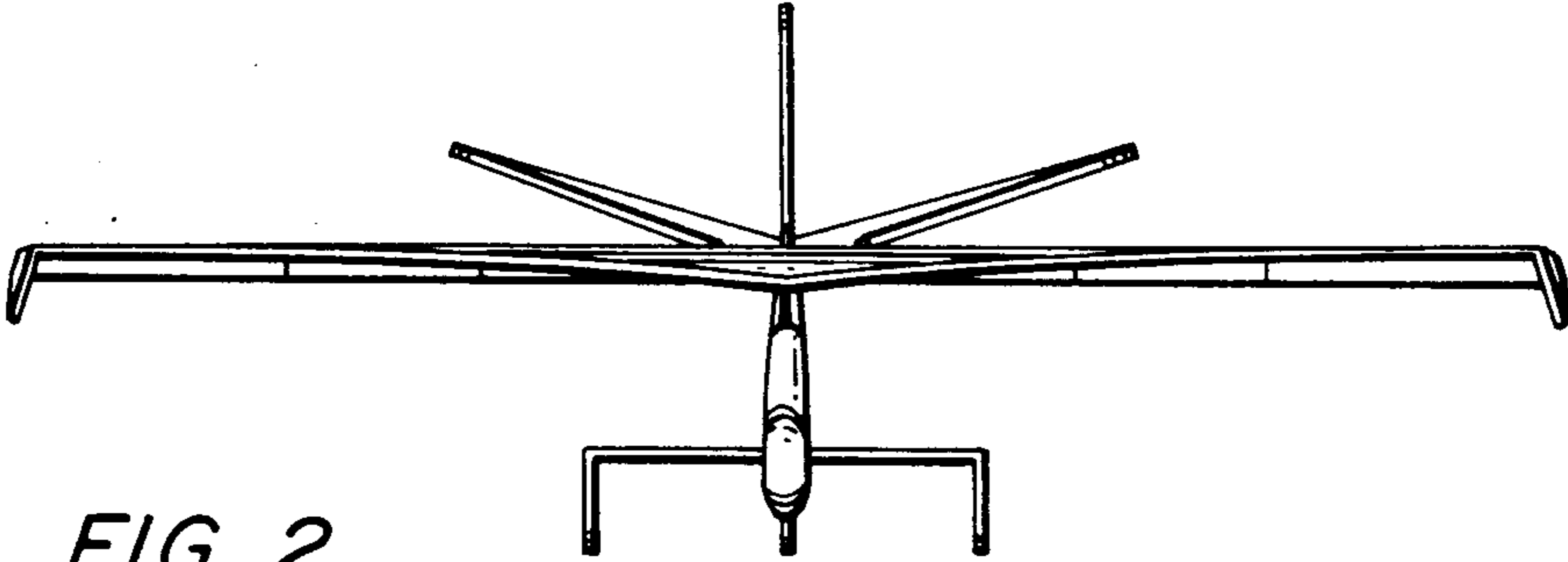
U.S. PATENT DOCUMENTS

D. 56,171	8/1920	Juthe et al. ....	D21/89
D. 224,660	8/1972	Posner .....	D21/89
1,227,319	5/1917	Robbins .....	46/79

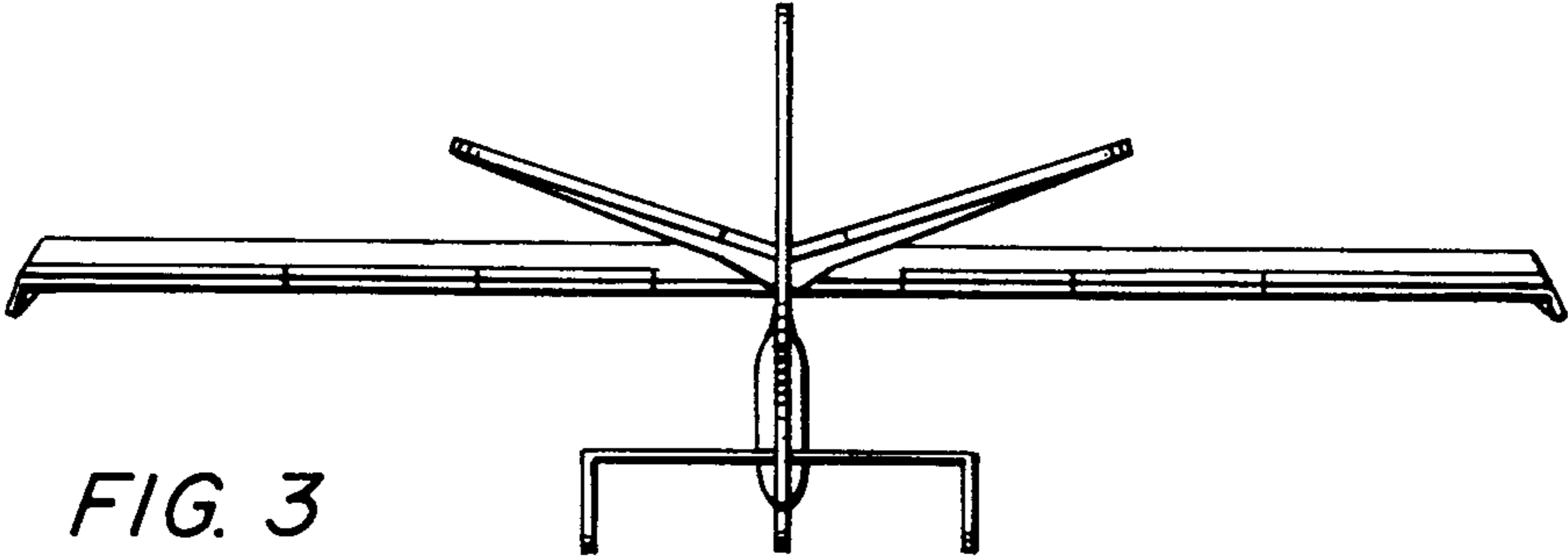




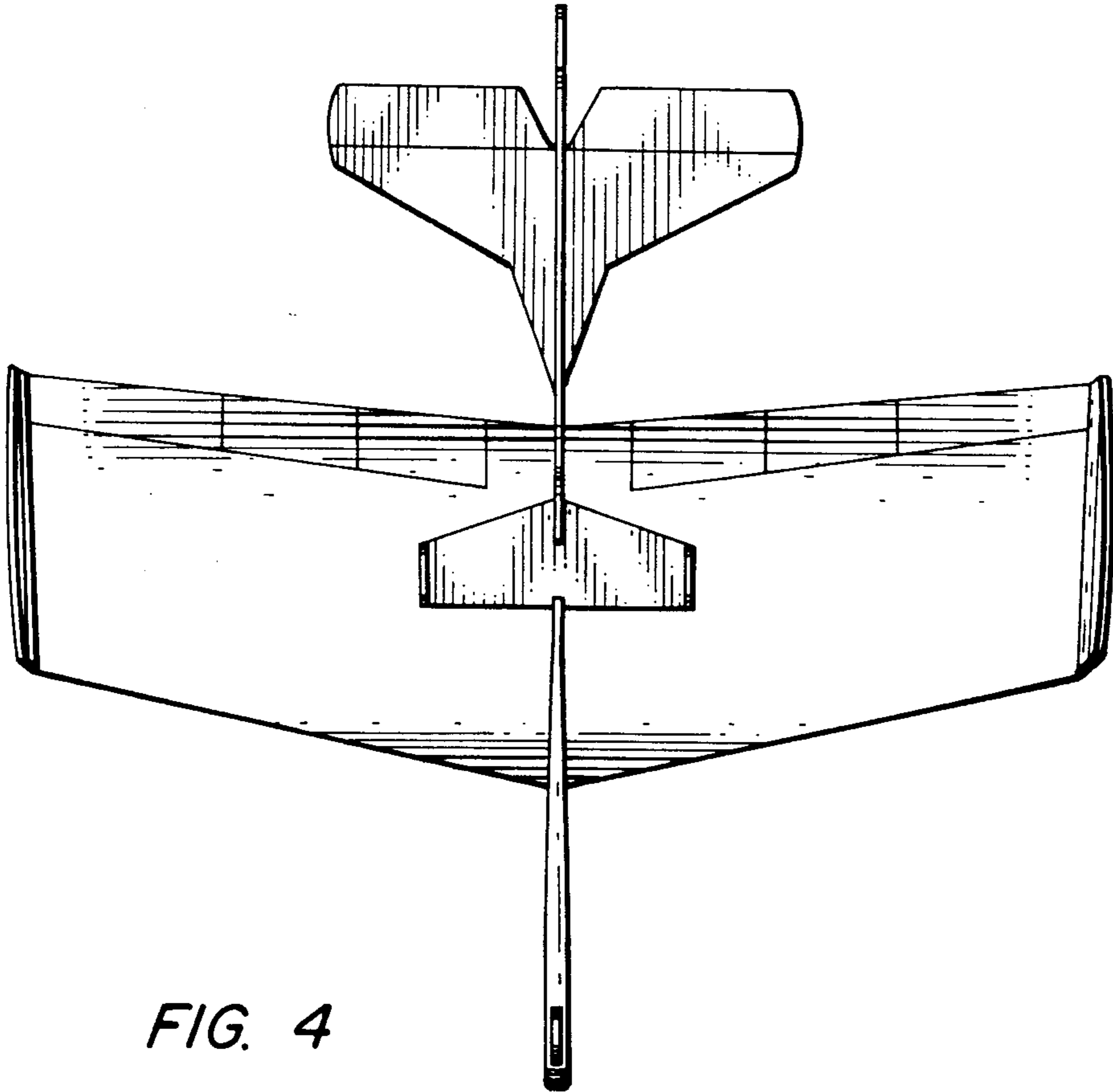
*FIG. 1*



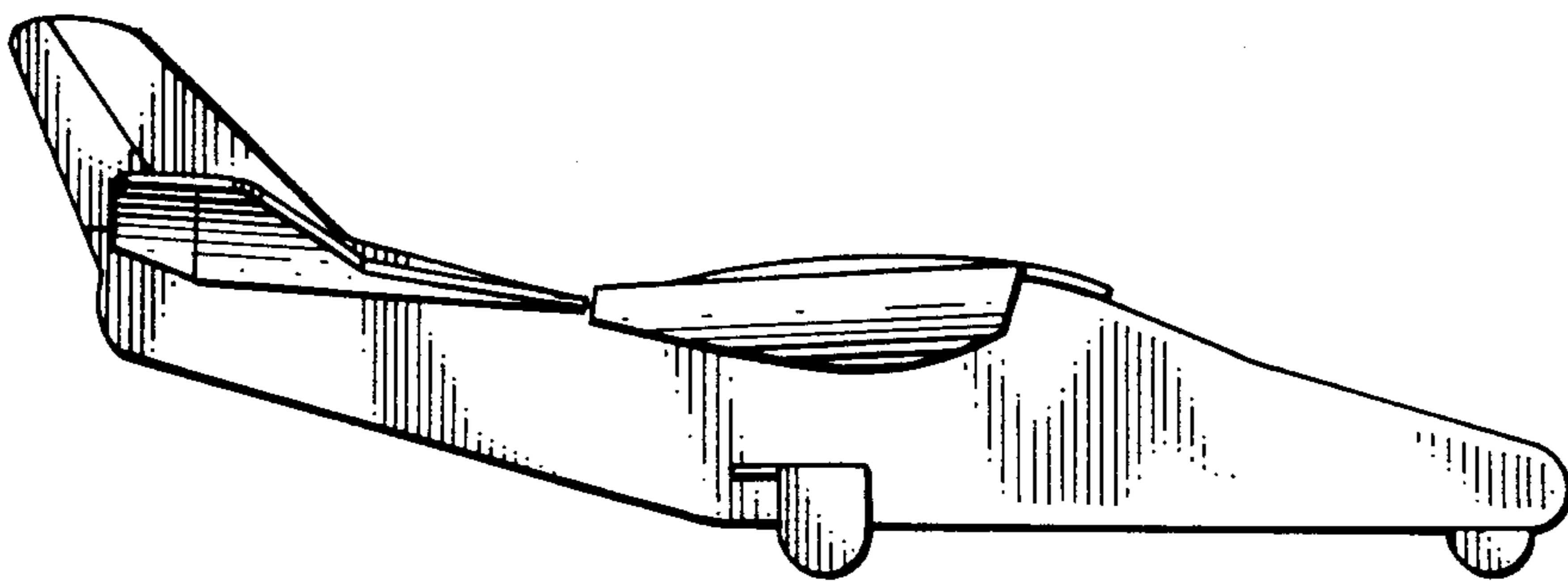
*FIG. 2*



*FIG. 3*



*FIG. 4*



*FIG. 5*

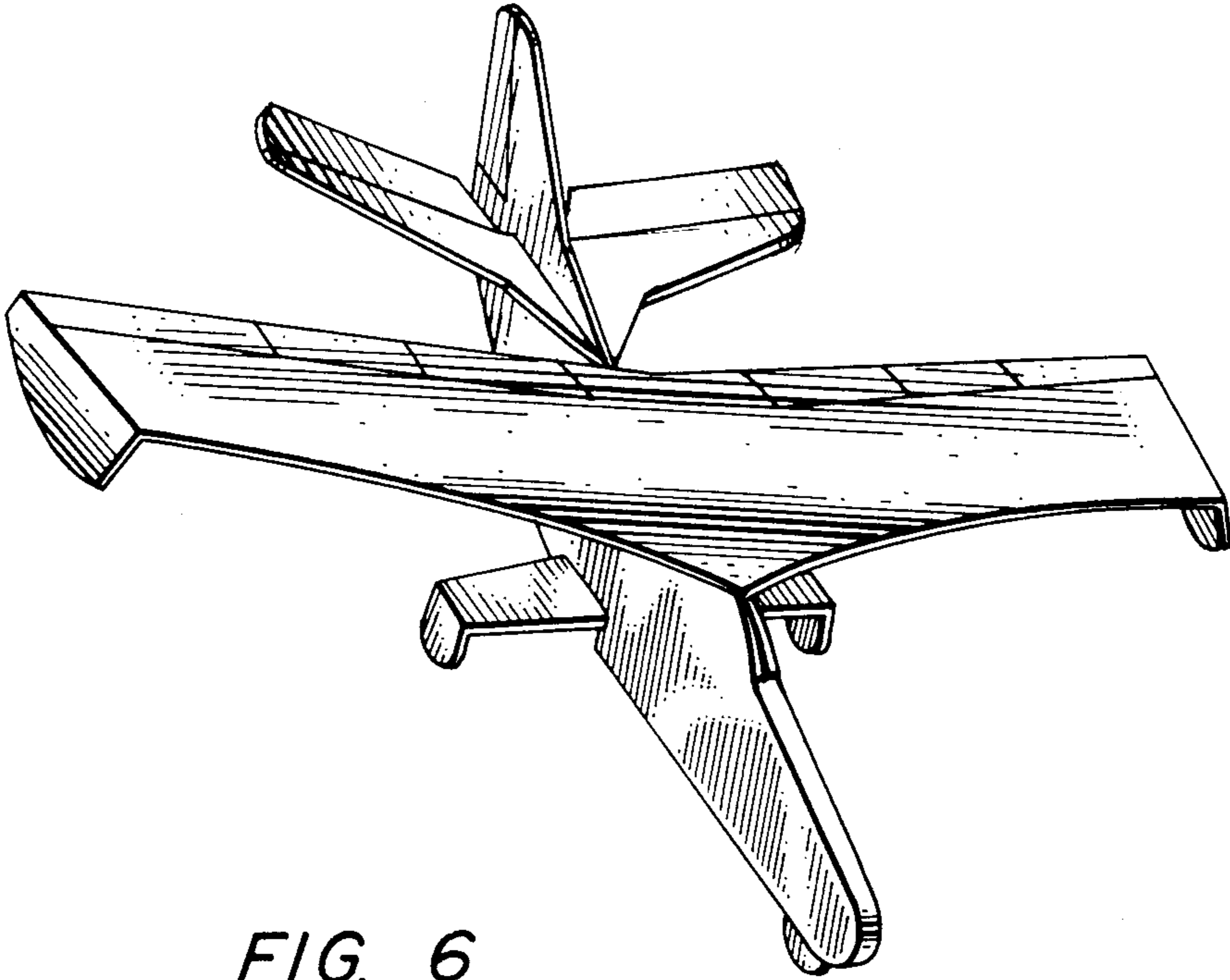


FIG. 6

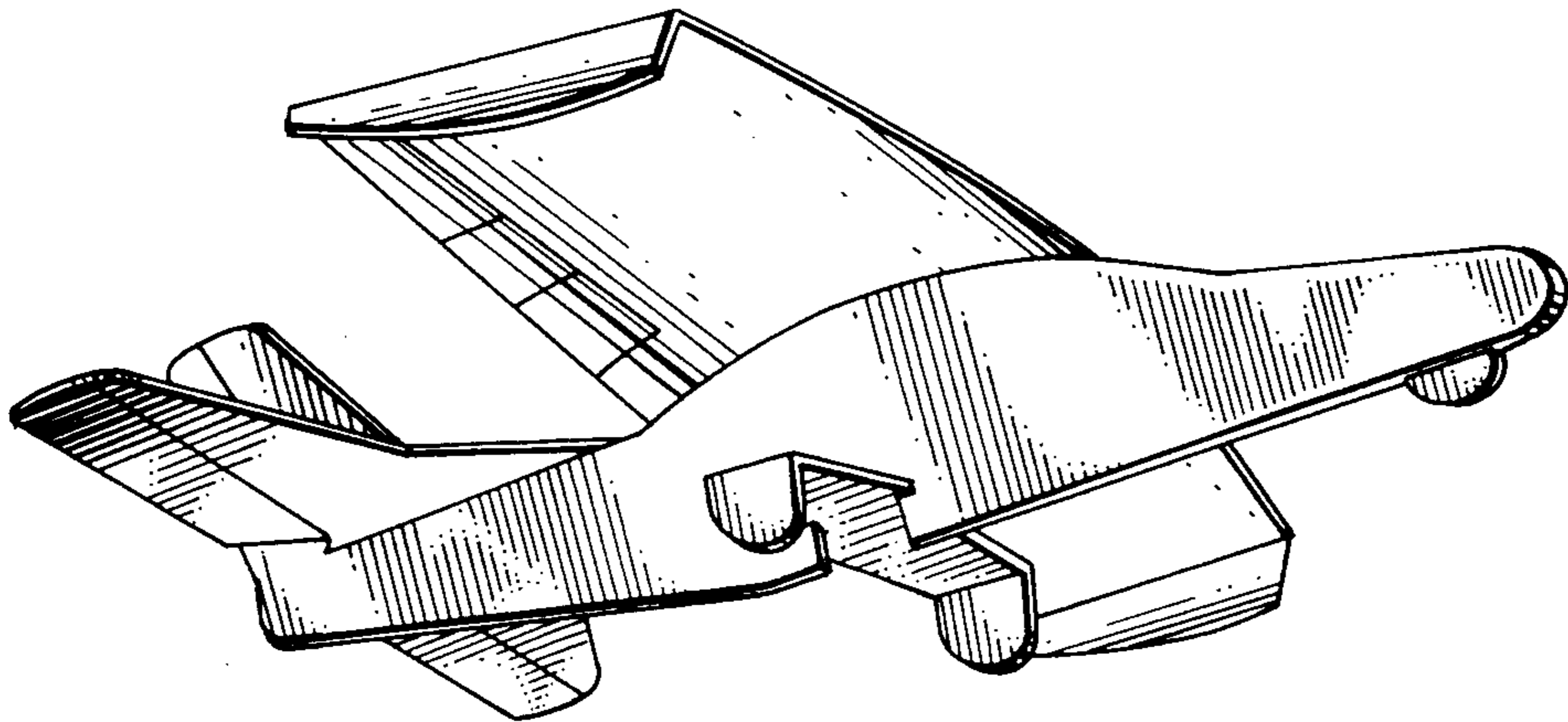


FIG. 7