

[54] PLAY AND STORAGE BOX

[75] Inventors: Henrik Mikkelsen, Copenhagen; Bjarne B. Andersen, Holte, both of Denmark

[73] Assignee: Inter-Ikea A/S, Humleback, Denmark

[\*\*] Term: 14 Years

[21] Appl. No.: 964,687

[22] Filed: Nov. 29, 1978

[30] Foreign Application Priority Data

May 29, 1978 [DK] Denmark ..... 436/78

[51] Int. Cl. .... D21-01

[52] U.S. Cl. .... D21/71; D6/5

[58] Field of Search ..... D6/5, 6; D9/171, 175, D9/177; D21/59, 64, 76, 62, 134, 71; 46/201, 207, 210, 222, 16, 11

[56] References Cited

U.S. PATENT DOCUMENTS

D. 140,404	2/1945	Wilson .....	D9/177
D. 149,940	6/1948	Greenbaum .....	D6/5
D. 156,327	12/1949	Erickson .....	D9/177
1,493,243	5/1924	Chandler .....	46/201
1,931,139	10/1933	Warren .....	46/201

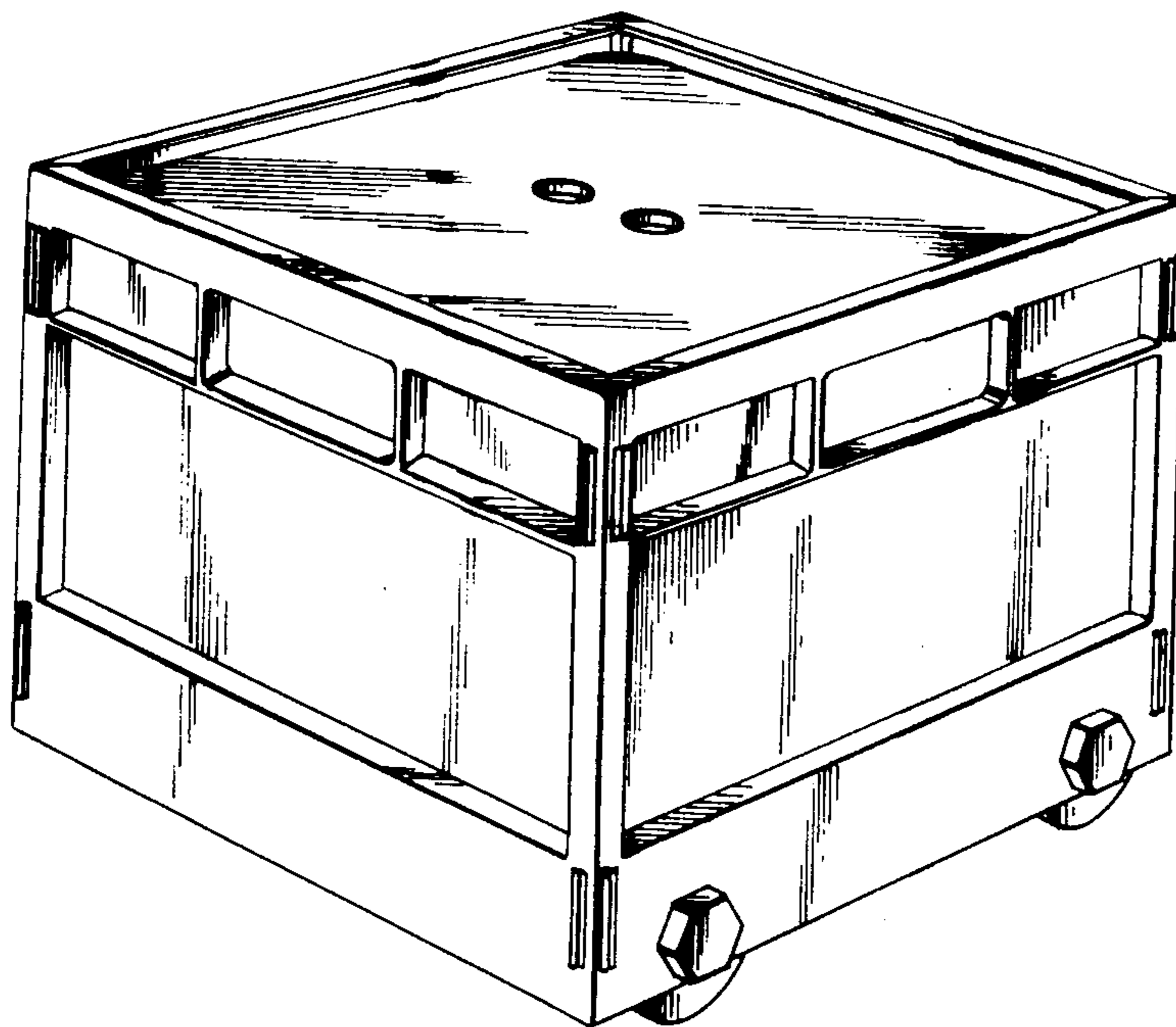
Primary Examiner—Charles A. Rademaker  
Attorney, Agent, or Firm—Robert Osann

[57] CLAIM

The ornamental design for a play and storage box, substantially as shown and described.

DESCRIPTION

FIG. 1 is a top perspective view of a play and storage box showing our new design; FIG. 2 is a bottom perspective view thereof; FIG. 3 is a front elevational view thereof, the side opposite being substantially identical; and, FIG. 4 is a side elevational view thereof, the side opposite being substantially identical.



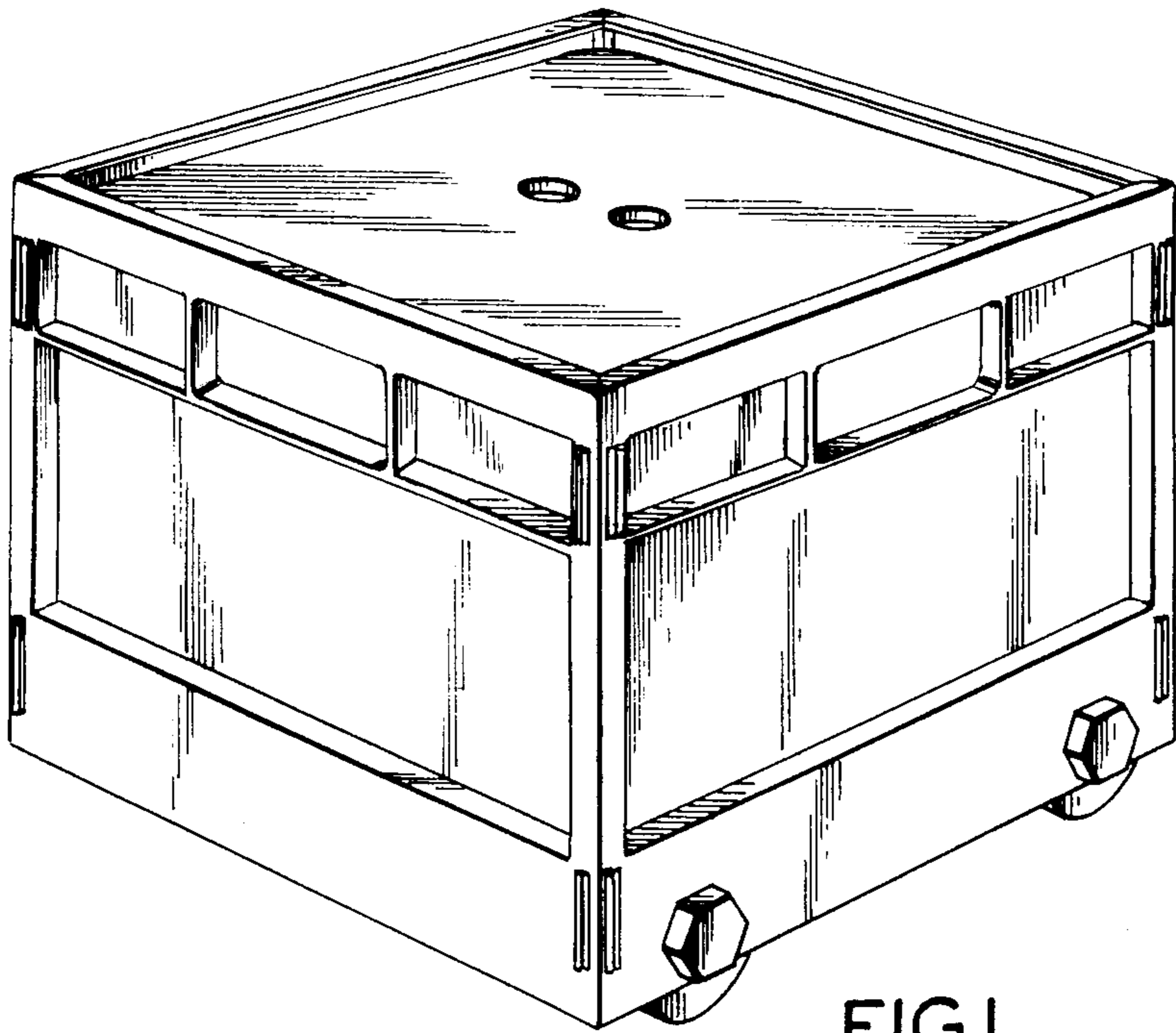


FIG. 1

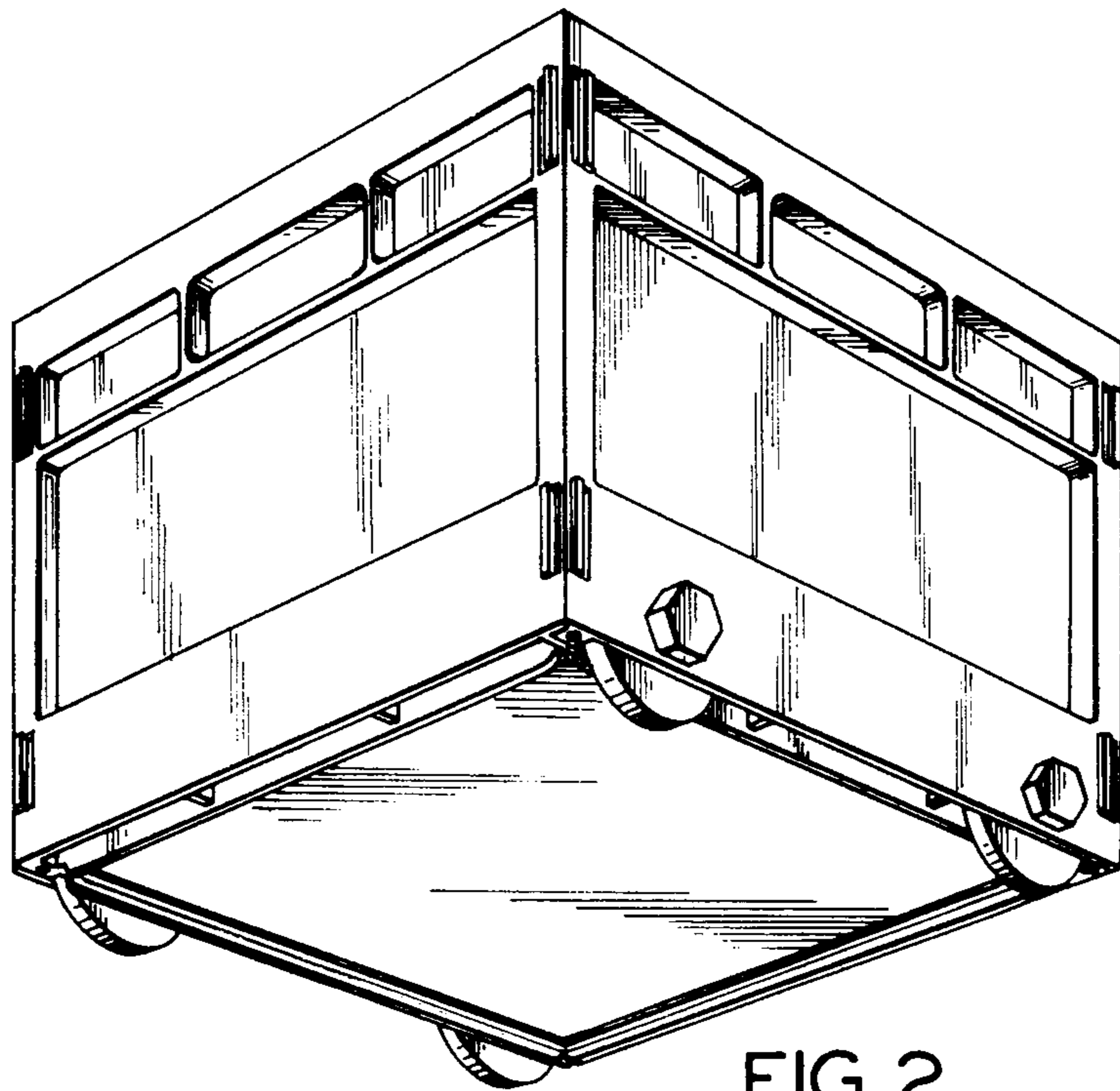


FIG. 2

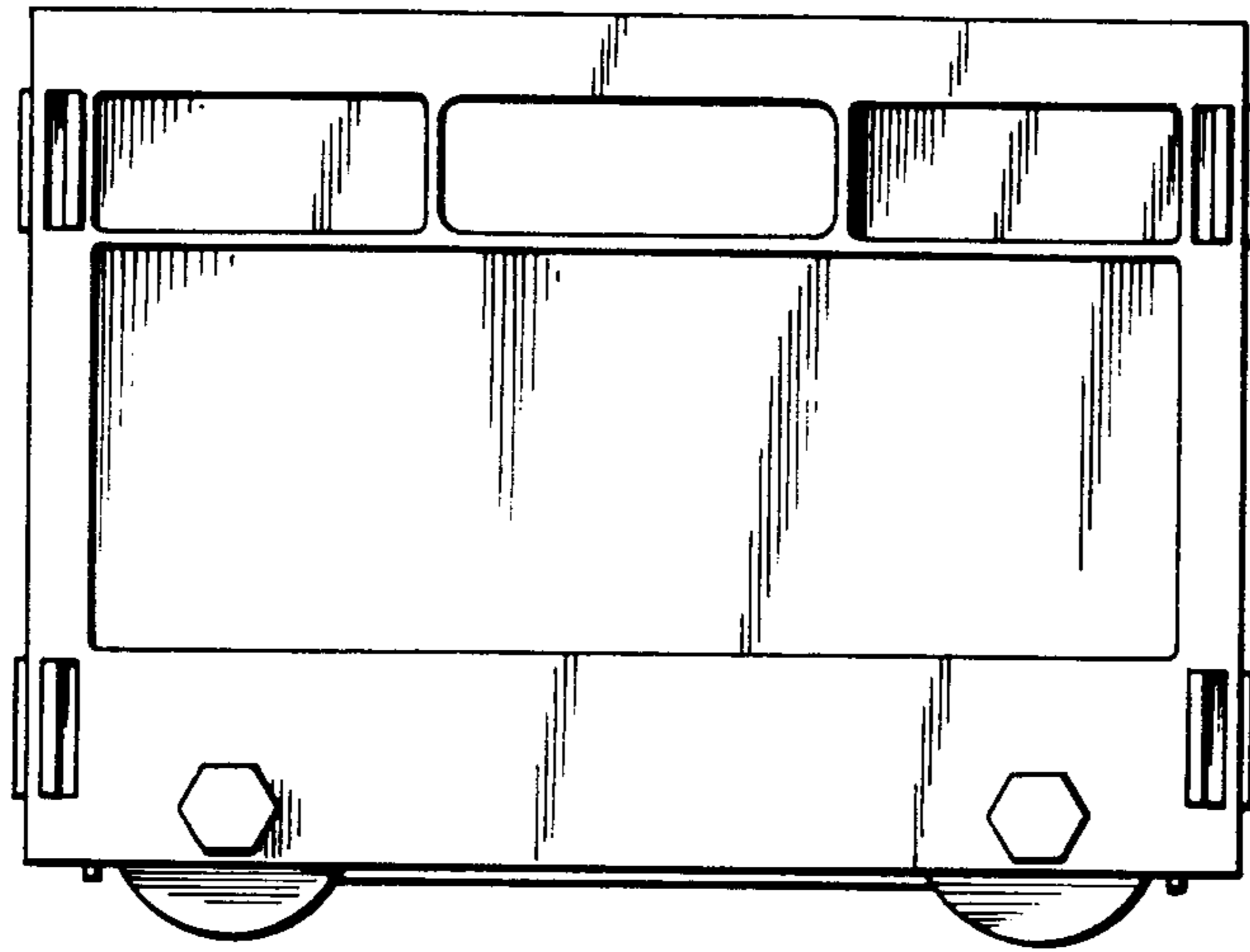


FIG. 3

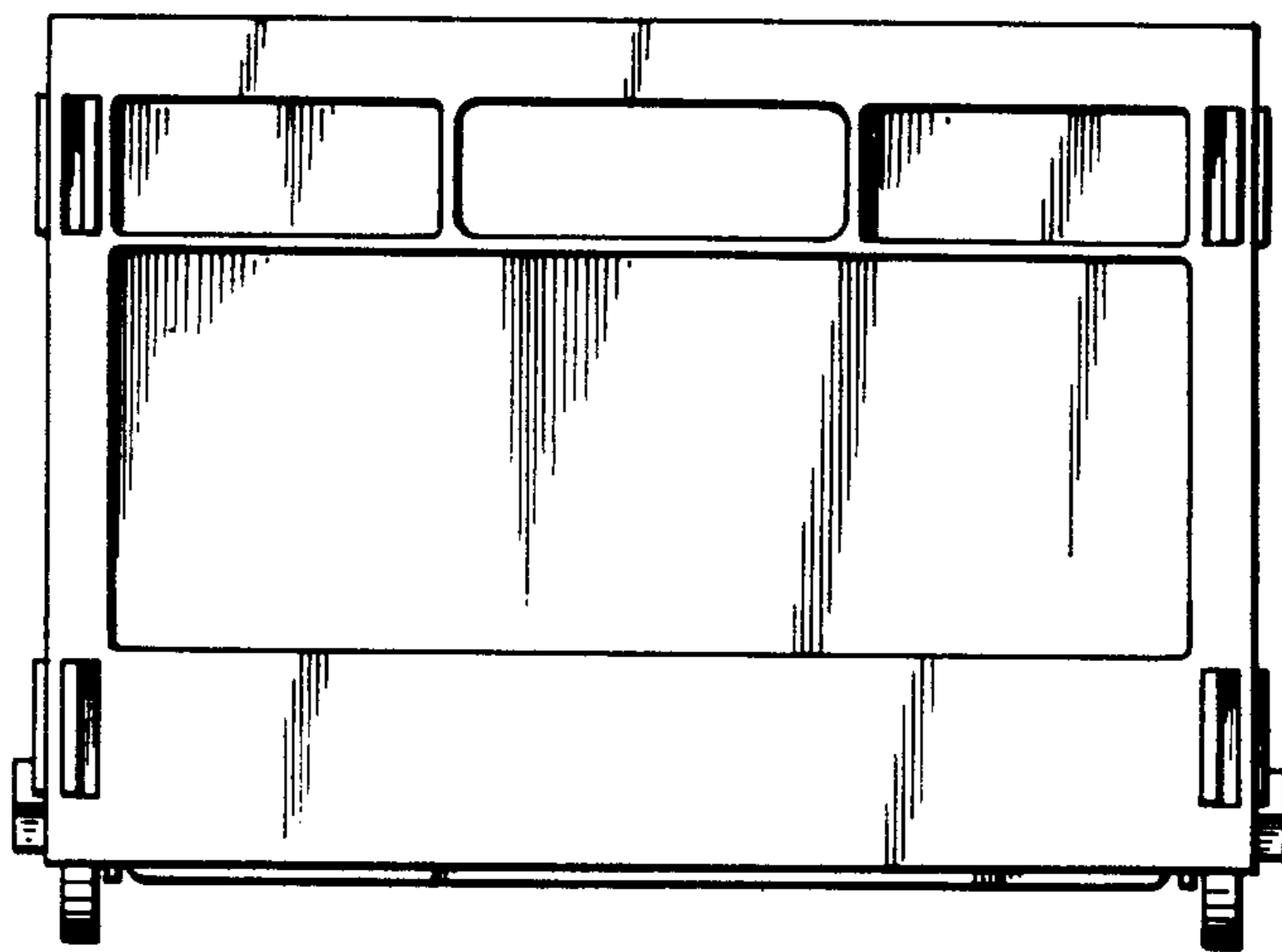


FIG. 4