

[54] WALL OR PARTITION HUNG IN/OUT TRAY

[75] Inventor: Donald A. DeMars, Canoga Park, Calif.

[73] Assignee: LeRoy M. Lefkowitz, Van Nuys, Calif. ; a part interest

[**] Term: 14 Years

[21] Appl. No.: 965,442

[22] Filed: Nov. 30, 1978

[51] Int. Cl. D20-03

[52] U.S. Cl. D20/42; D8/366; 211/88

[58] Field of Search D20/10, 15, 19, 40, D20/41, 42, 43, 44; D8/366, 371, 373, 380, 381; D6/247, 116, 120, 130; D19/92; 211/86, 87, 88, 90, 126, 11; 248/214, 300, 441 B, 375 R, 301; 40/1.5, 124.1, 10 R, 11 R, 606

[56] References Cited

U.S. PATENT DOCUMENTS

D. 185,897 8/1959 Stark D8/380 X
1,069,711 8/1913 MacDonald 211/87

FOREIGN PATENT DOCUMENTS

462313 3/1937 United Kingdom 211/88

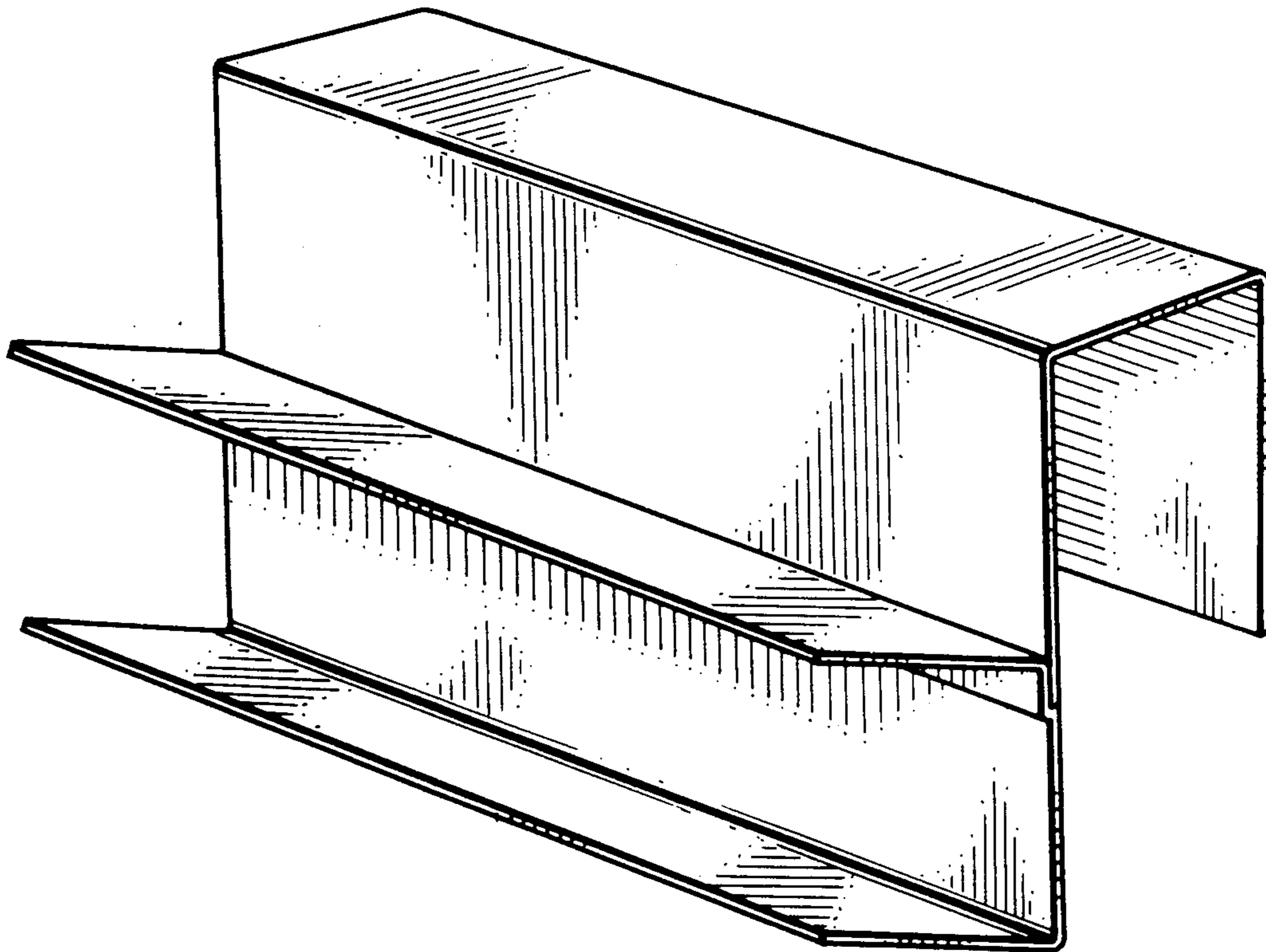
Primary Examiner—Peter Feldman
Attorney, Agent, or Firm—Thomas P. Mahoney

[57] CLAIM

The ornamental design for a wall or partition hung in/out tray, as shown and described.

DESCRIPTION

FIG. 1 is a reduced perspective view of a wall or partition hung in/out tray showing my new design, the wall or partition being shown in broken lines for illustrative purposes only;
FIG. 2 is a front, top, right side enlarged perspective view thereof;
FIG. 3 is a front elevational view thereof;
FIG. 4 is a right side elevational view thereof, the opposite side being a mirror image of the side shown;
FIG. 5 is a top view thereof;
FIG. 6 is a bottom view thereof;
FIG. 7 is a rear elevational view thereof; and
FIGS. 8, 9 and 10 are right side elevational views of second, third, and fourth embodiments of the design of FIG. 1, the bracket or partition retaining portion being of varying width to accommodate partitions of varying sizes.



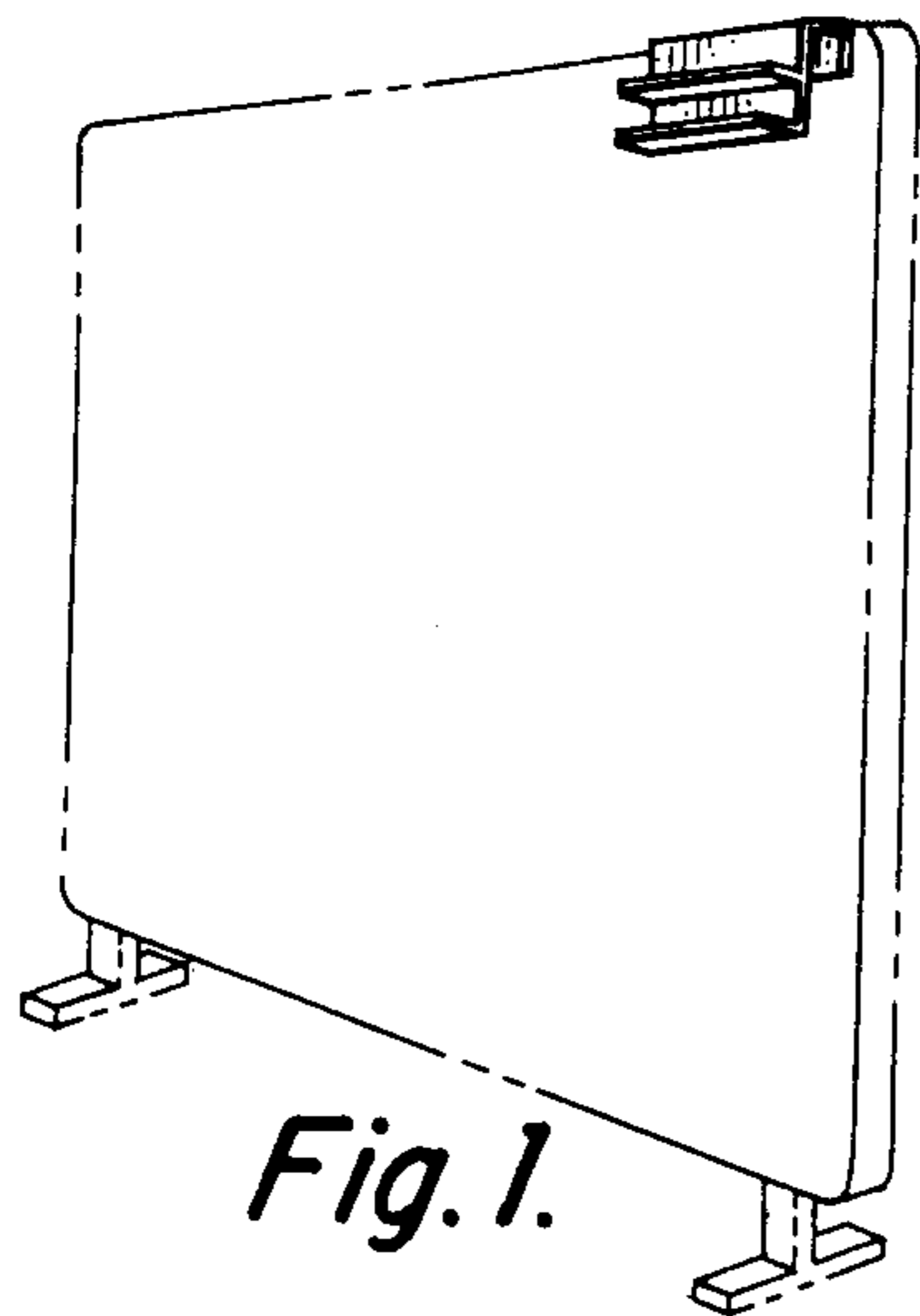


Fig. 1.

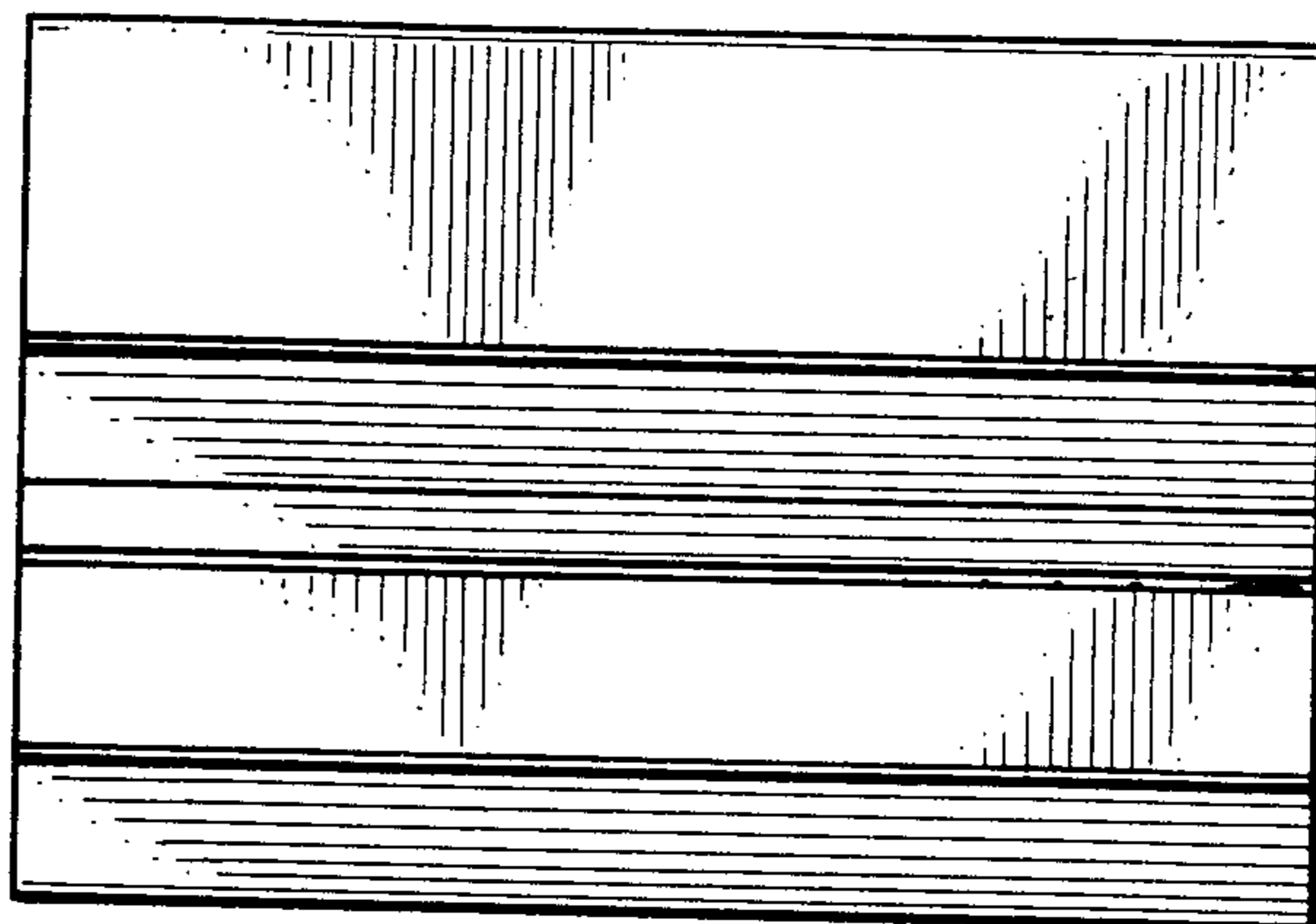


Fig. 3.

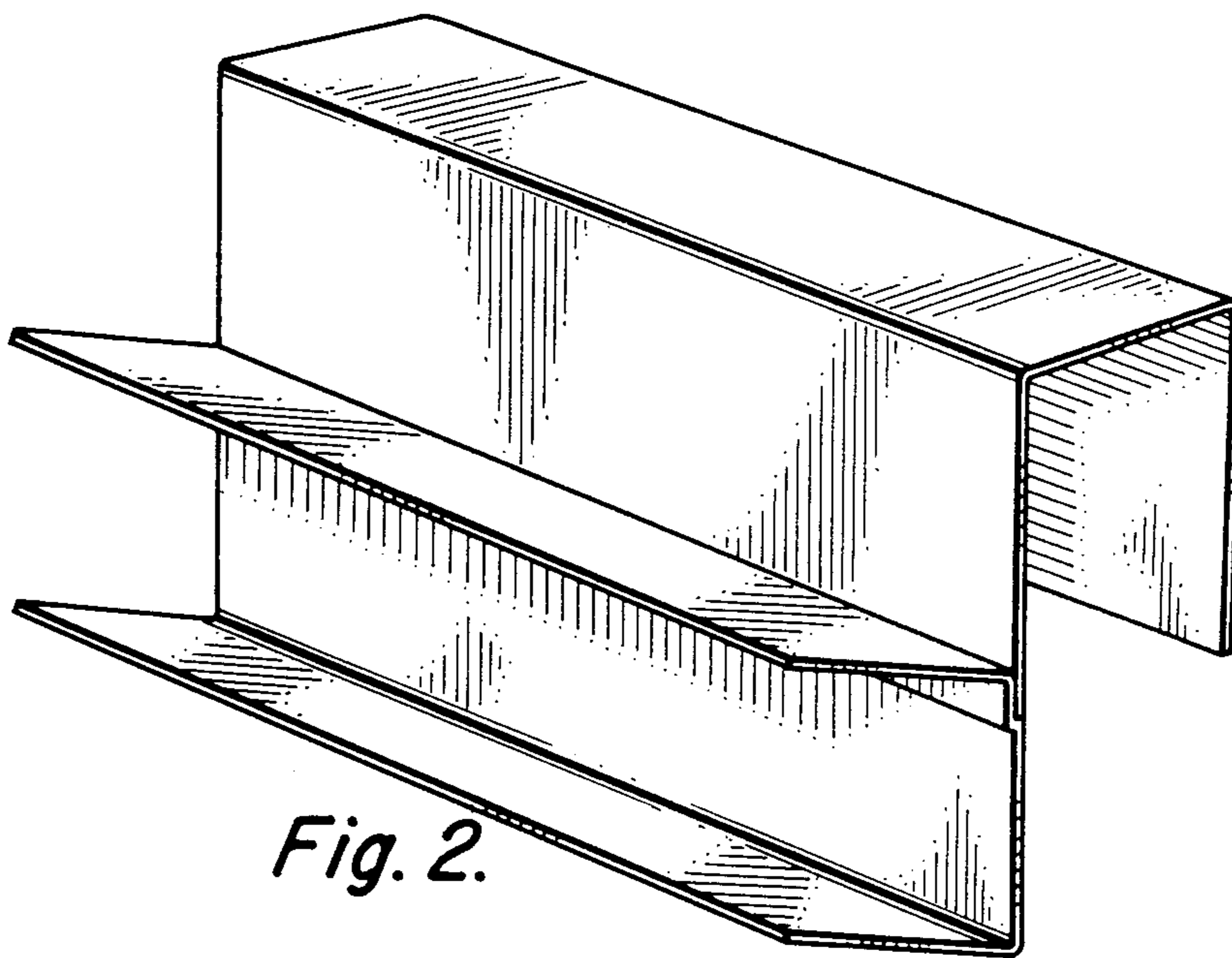


Fig. 2.

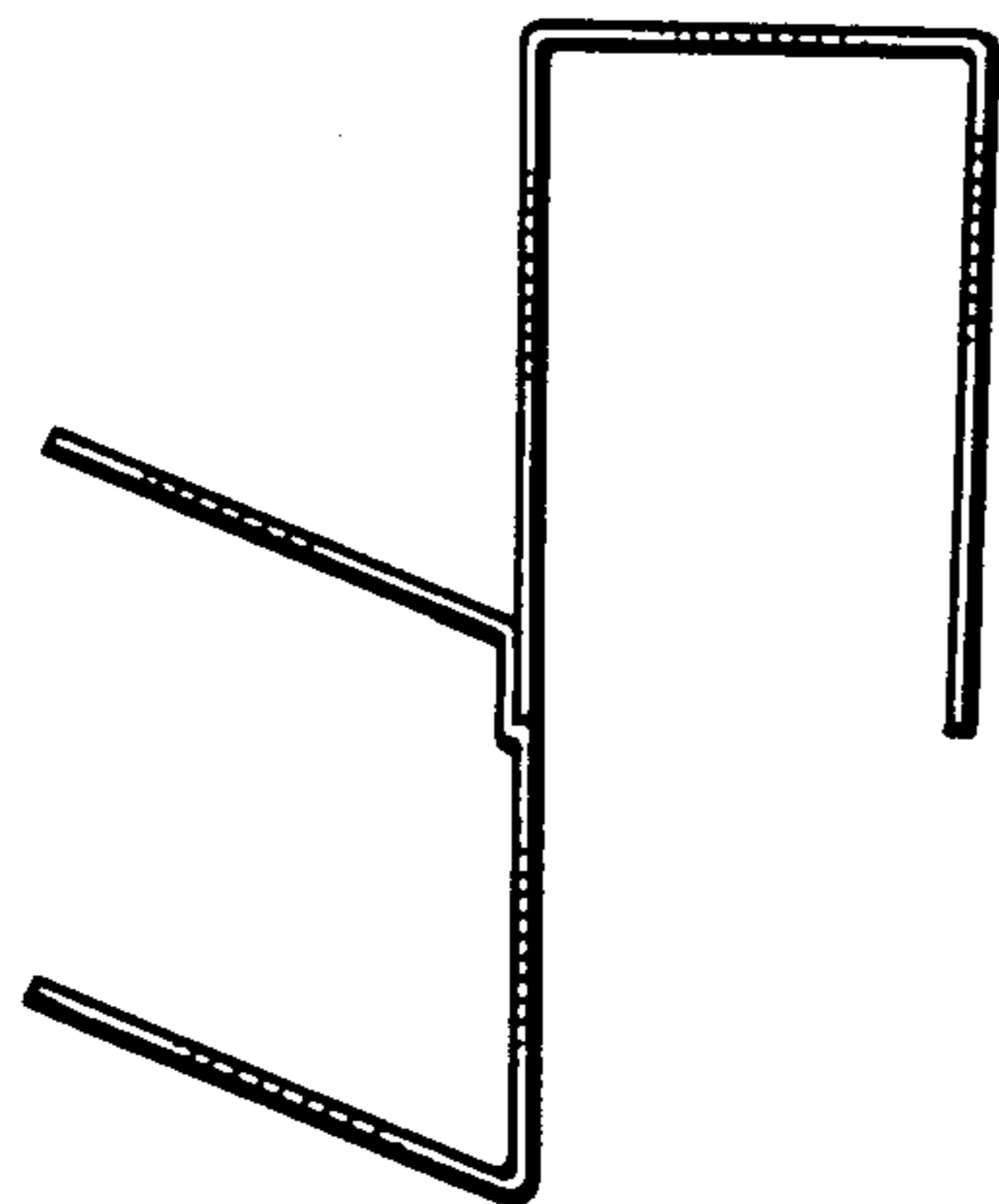


Fig. 4.

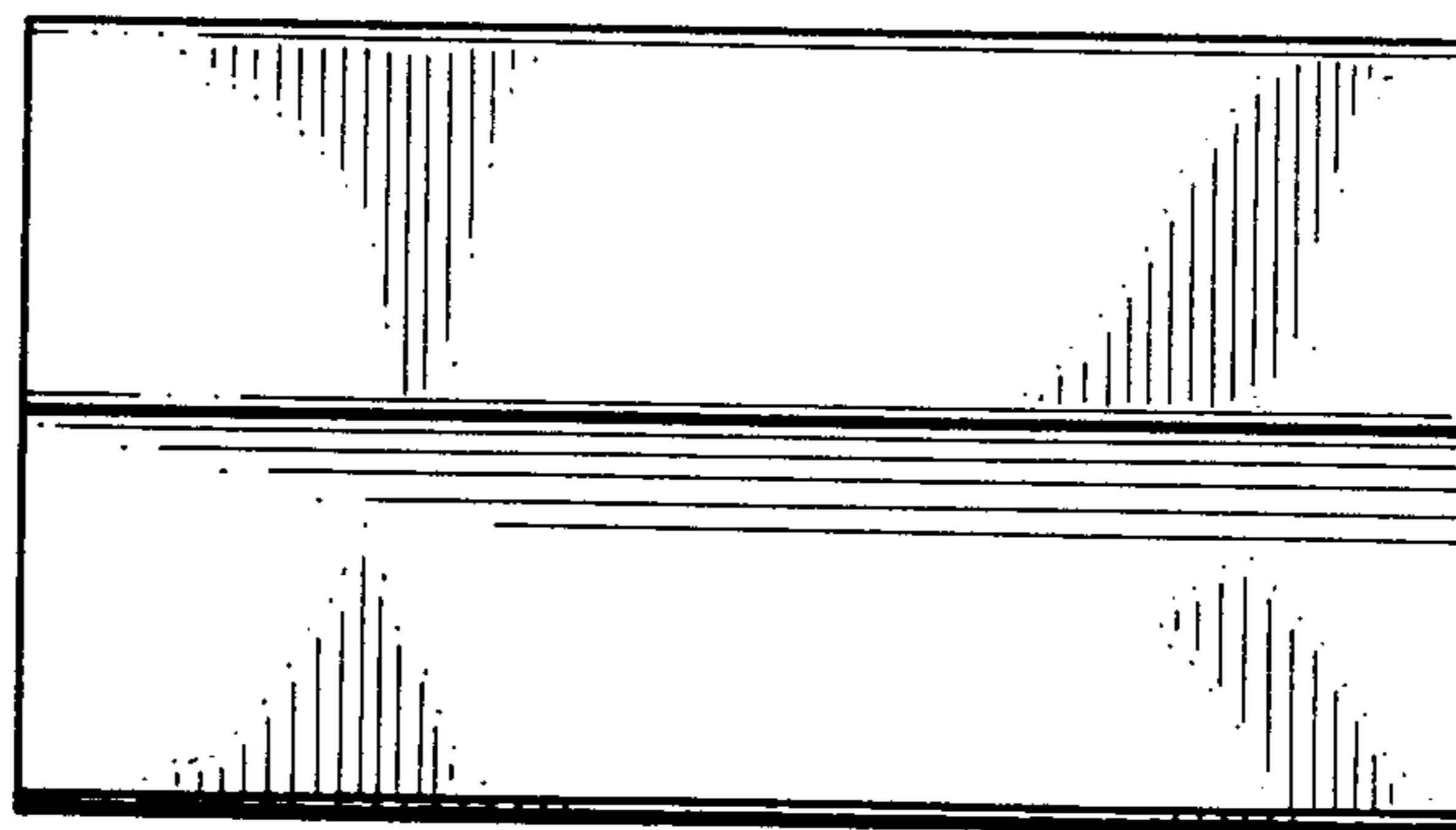


Fig. 5.

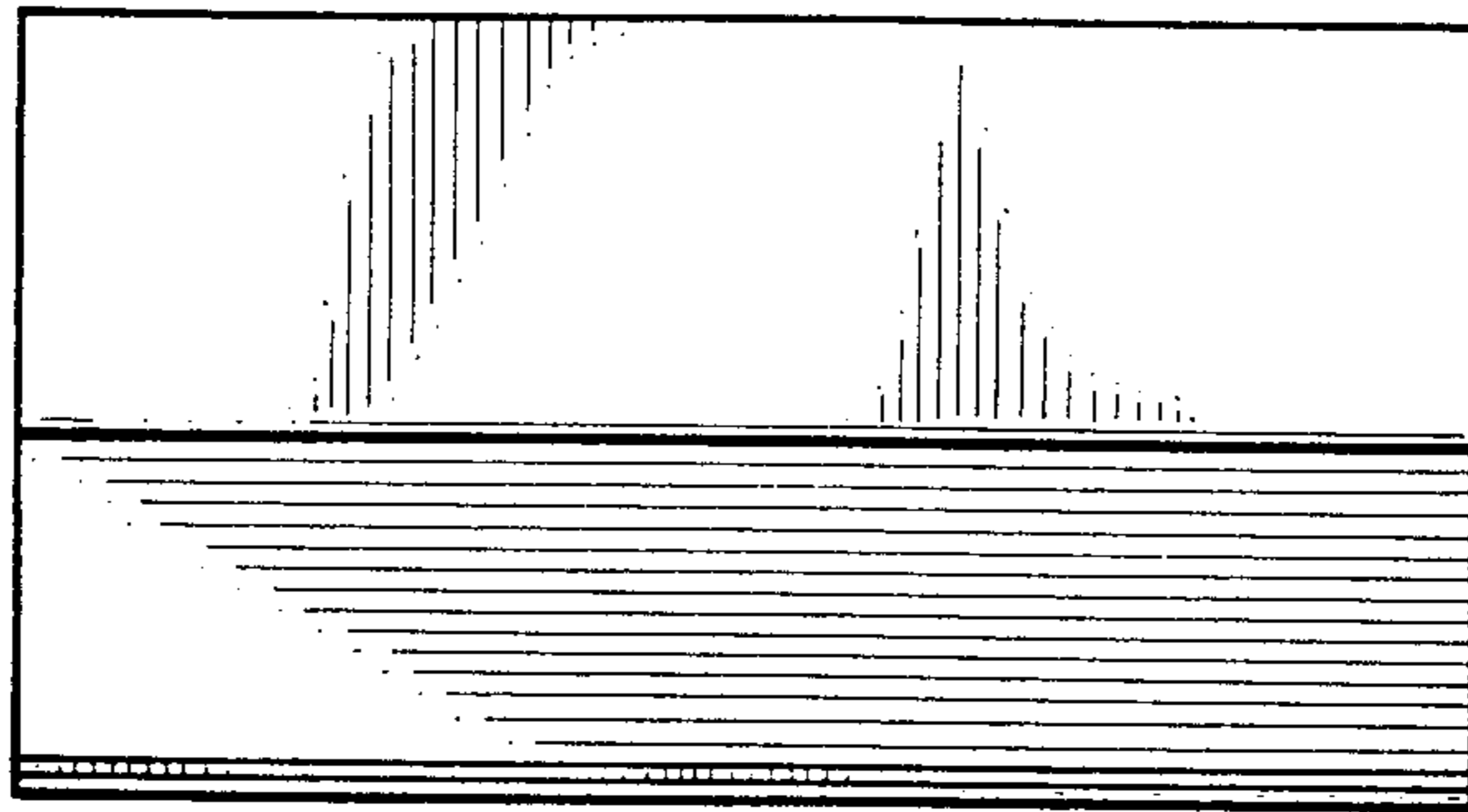


Fig. 6.

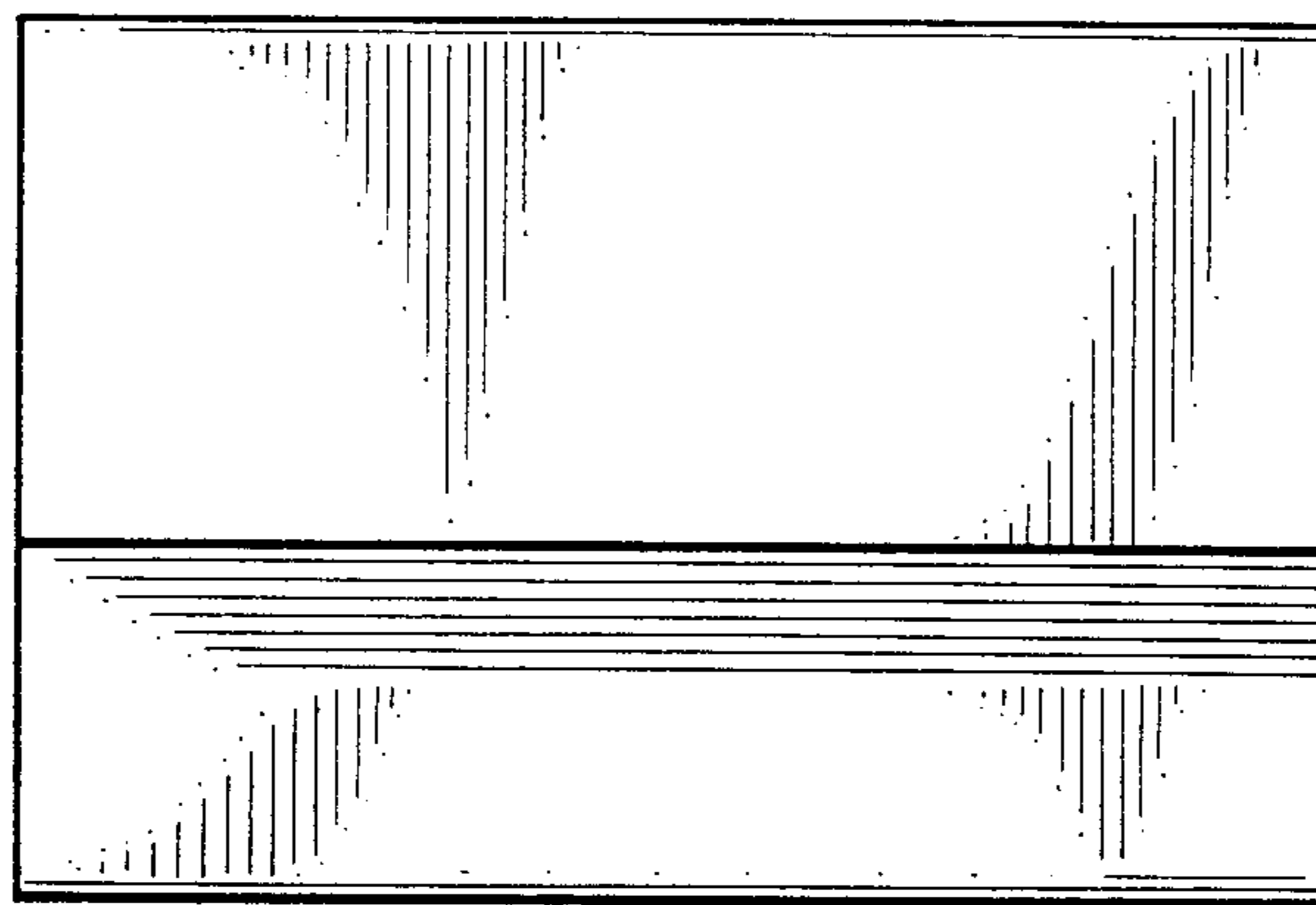


Fig. 7.

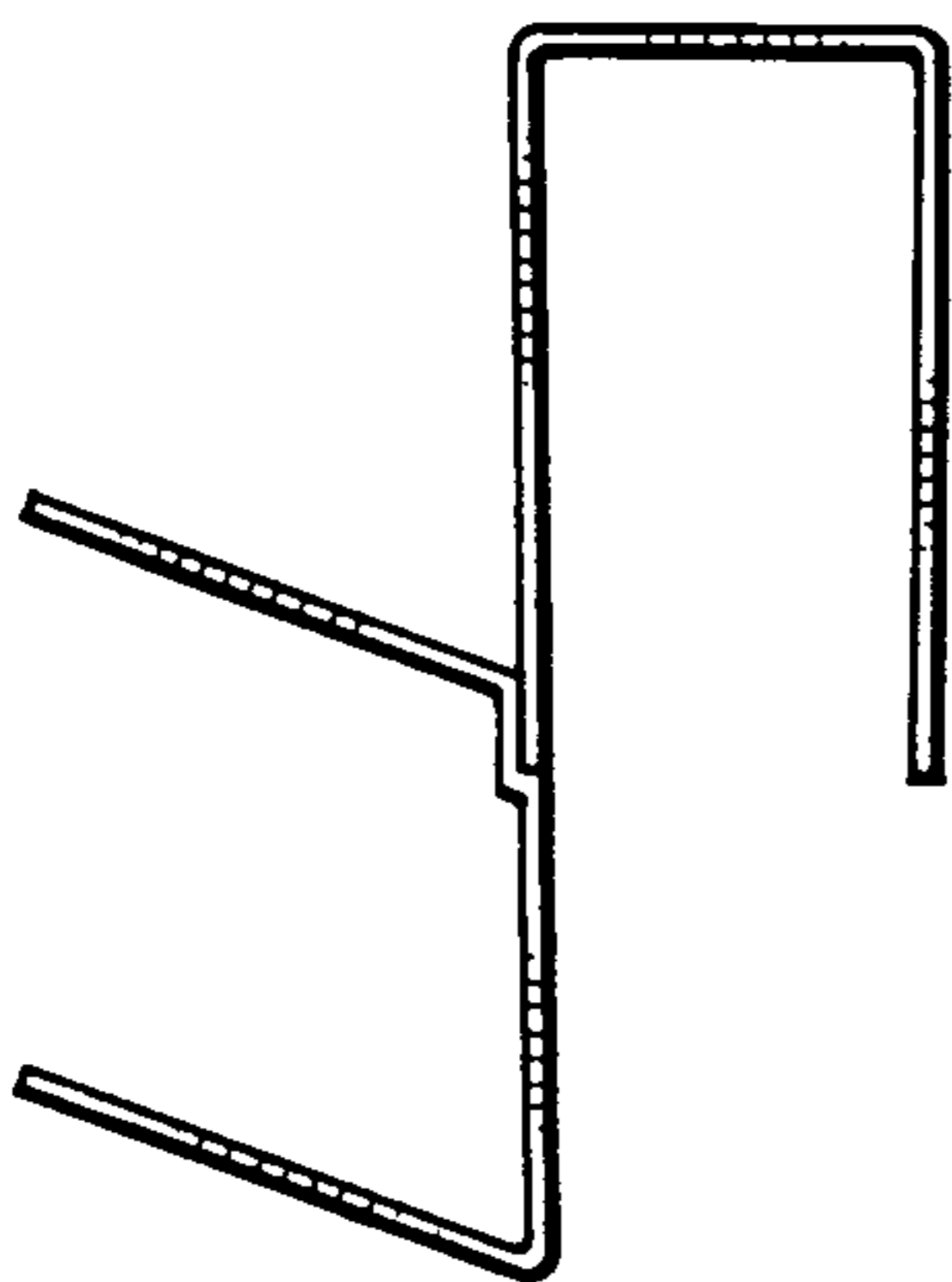


Fig. 8.

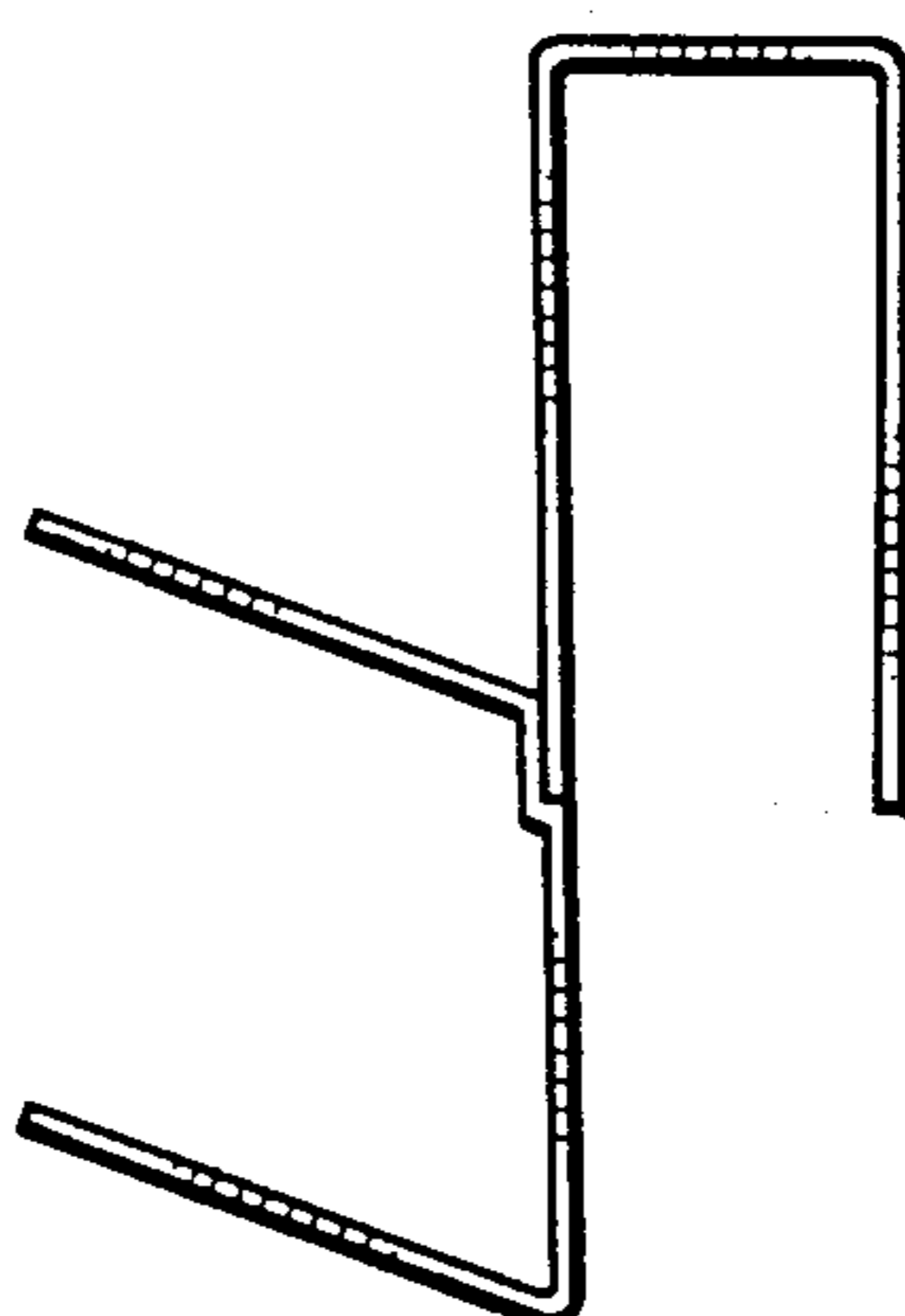


Fig. 9.

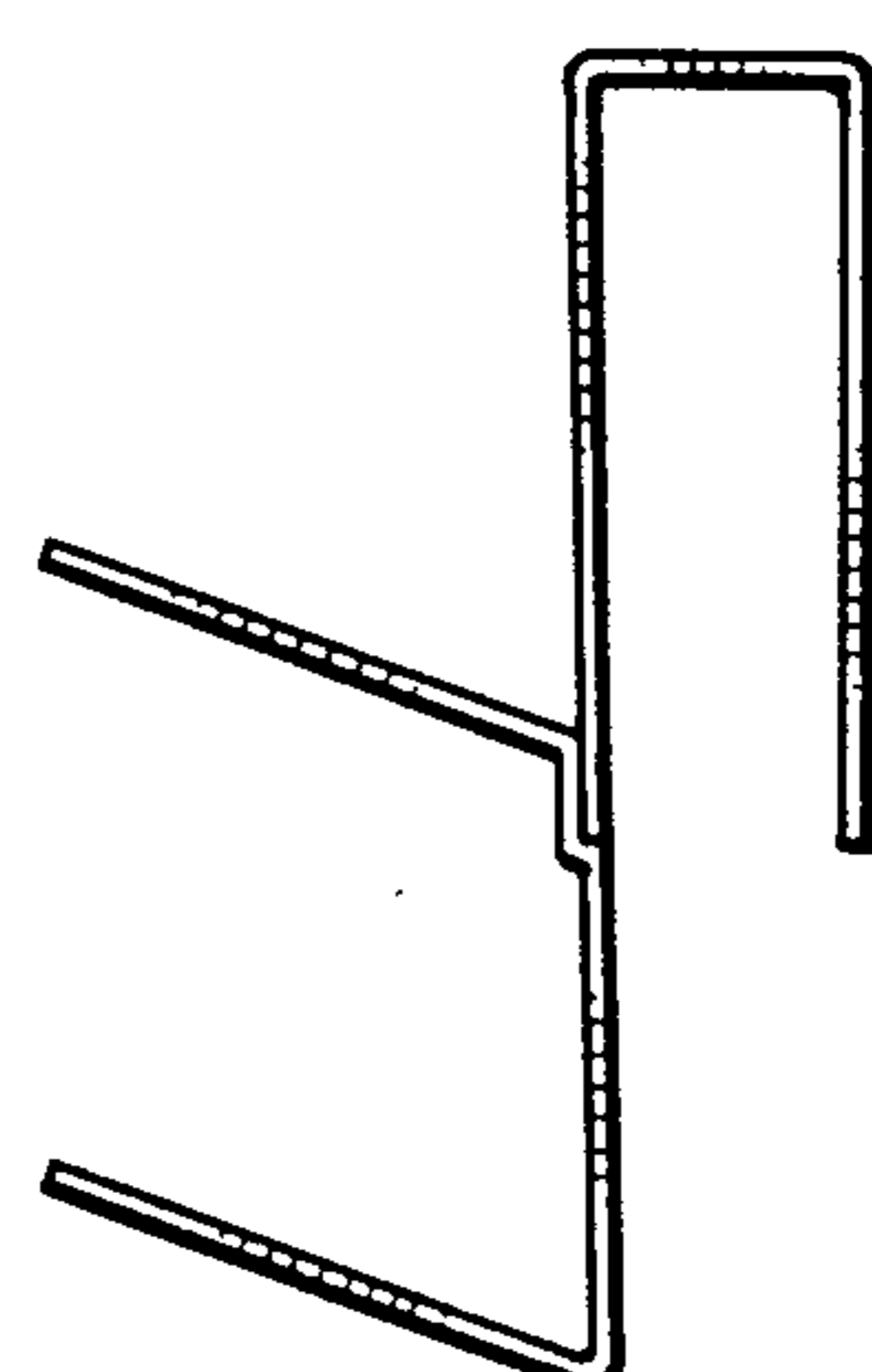


Fig. 10.