

[54] **KEYBOARD STAND**

[76] Inventor: **Darrell A. Schoenig**, 432 Clover La., Ft. Collins, Colo. 80521

[**] Term: **14 Years**

[21] Appl. No.: **46,703**

[22] Filed: **Jun. 8, 1979**

[51] Int. Cl. **D17—01; D17—99 E; D6—04**

[52] U.S. Cl. **D17/09; D6/186**

[58] Field of Search **D17/1, 2, 5, 6, 9; D6/18, 186; 84/327, 329; 211/182; 248/460**

[56] **References Cited**

U.S. PATENT DOCUMENTS

- D. 211,494 6/1968 Spranger D17/5
- 406,921 7/1889 Lohagen 248/460
- 3,483,999 12/1969 Barrett 211/182 X

- 3,960,275 6/1976 Haughton et al. 211/182
- 3,999,727 12/1976 Rennemann 211/182 X

FOREIGN PATENT DOCUMENTS

- 184107 4/1907 Fed. Rep. of Germany 248/460

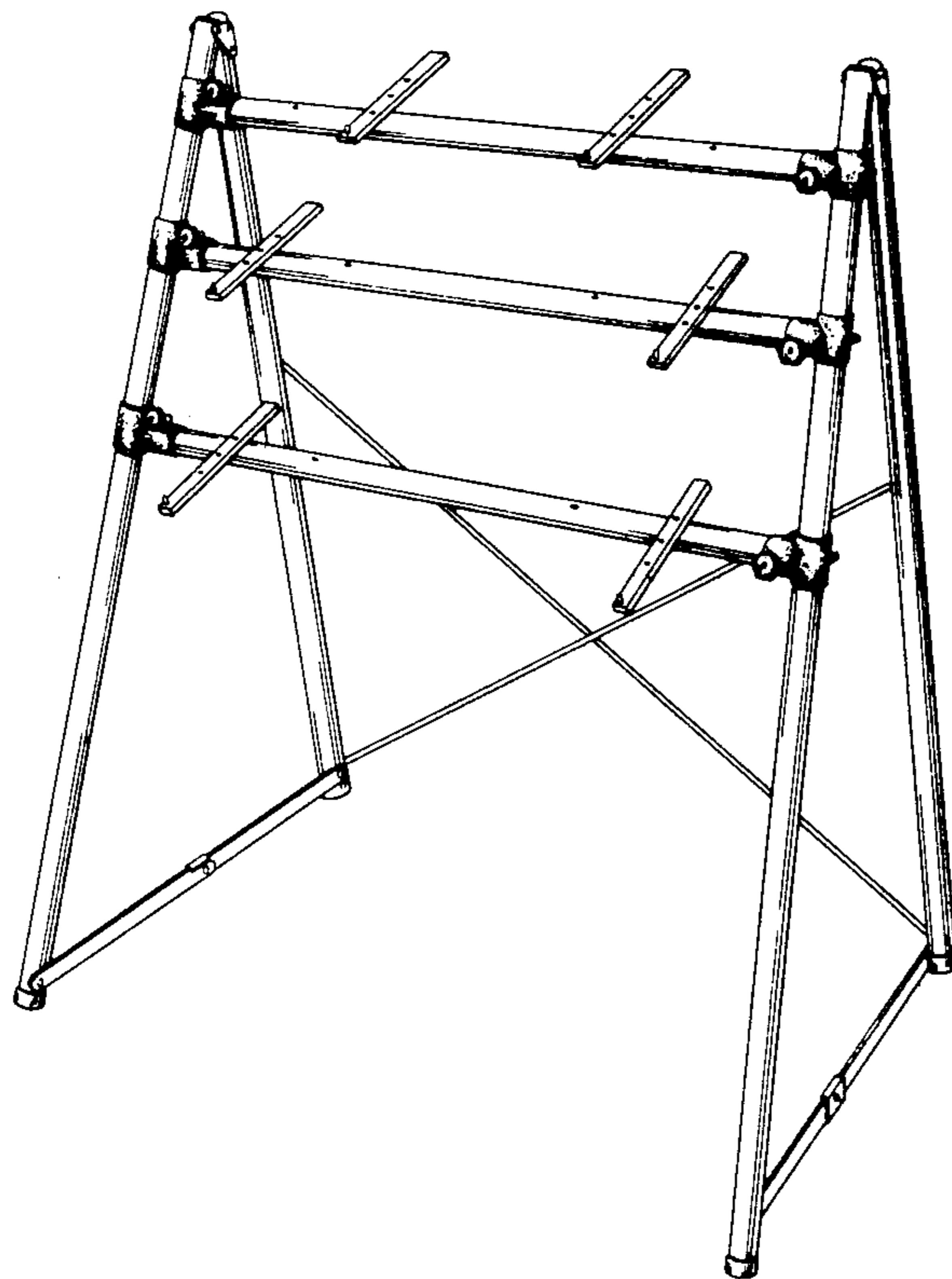
Primary Examiner—Jane E. Corrigan
Attorney, Agent, or Firm—Hugh H. Drake

[57] **CLAIM**

The ornamental design for a keyboard stand as shown.

DESCRIPTION

FIG. 1 is a front and right side perspective view of a keyboard stand showing my new design; FIG. 2 is a front elevational view thereof; FIG. 3 is a rear elevational view thereof; FIG. 4 is a left side elevational view thereof; FIG. 5 is a right side elevational view thereof; FIG. 6 is a bottom plan view thereof; and FIG. 7 is a top plan view thereof.



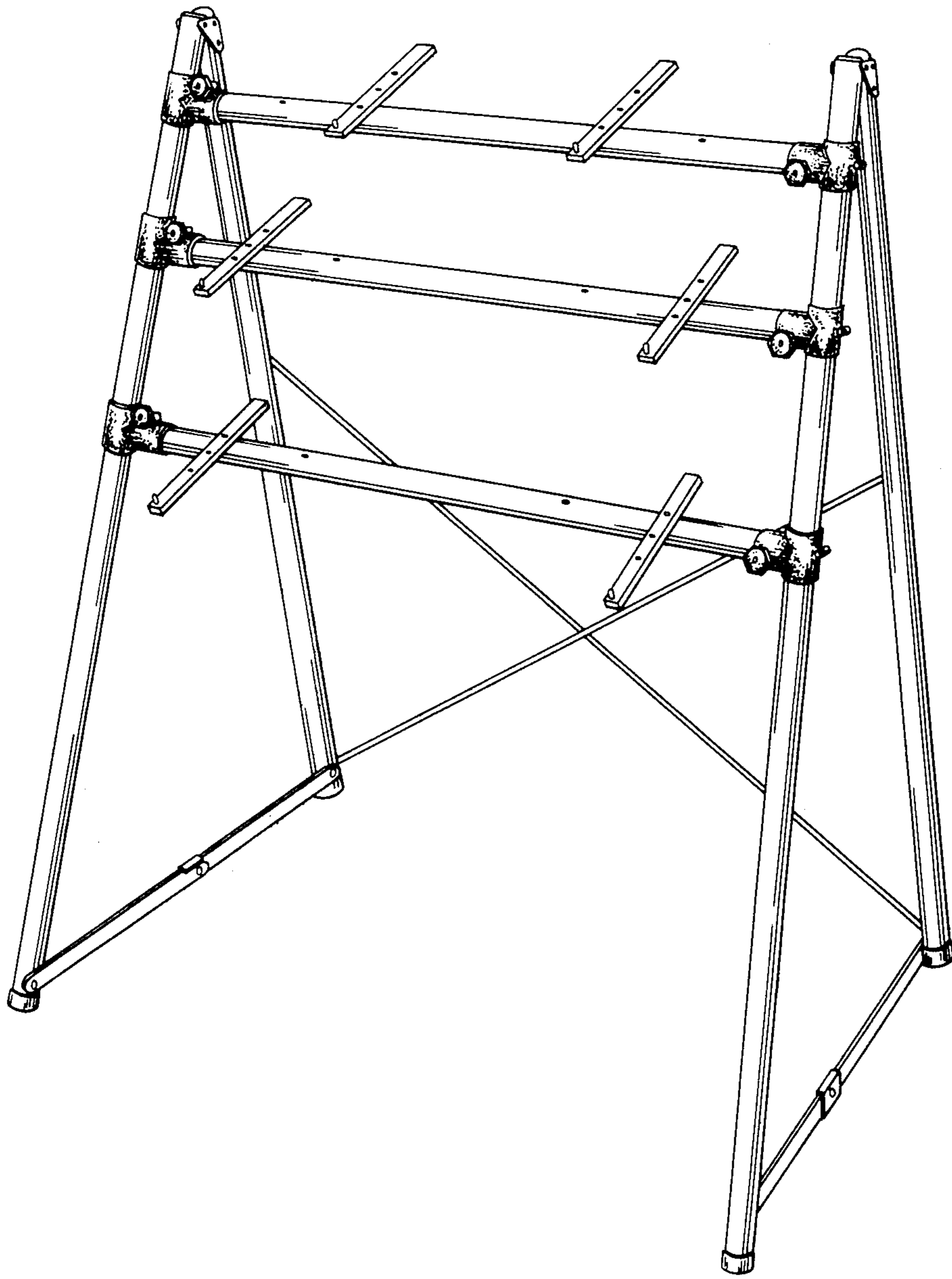


FIG. 1

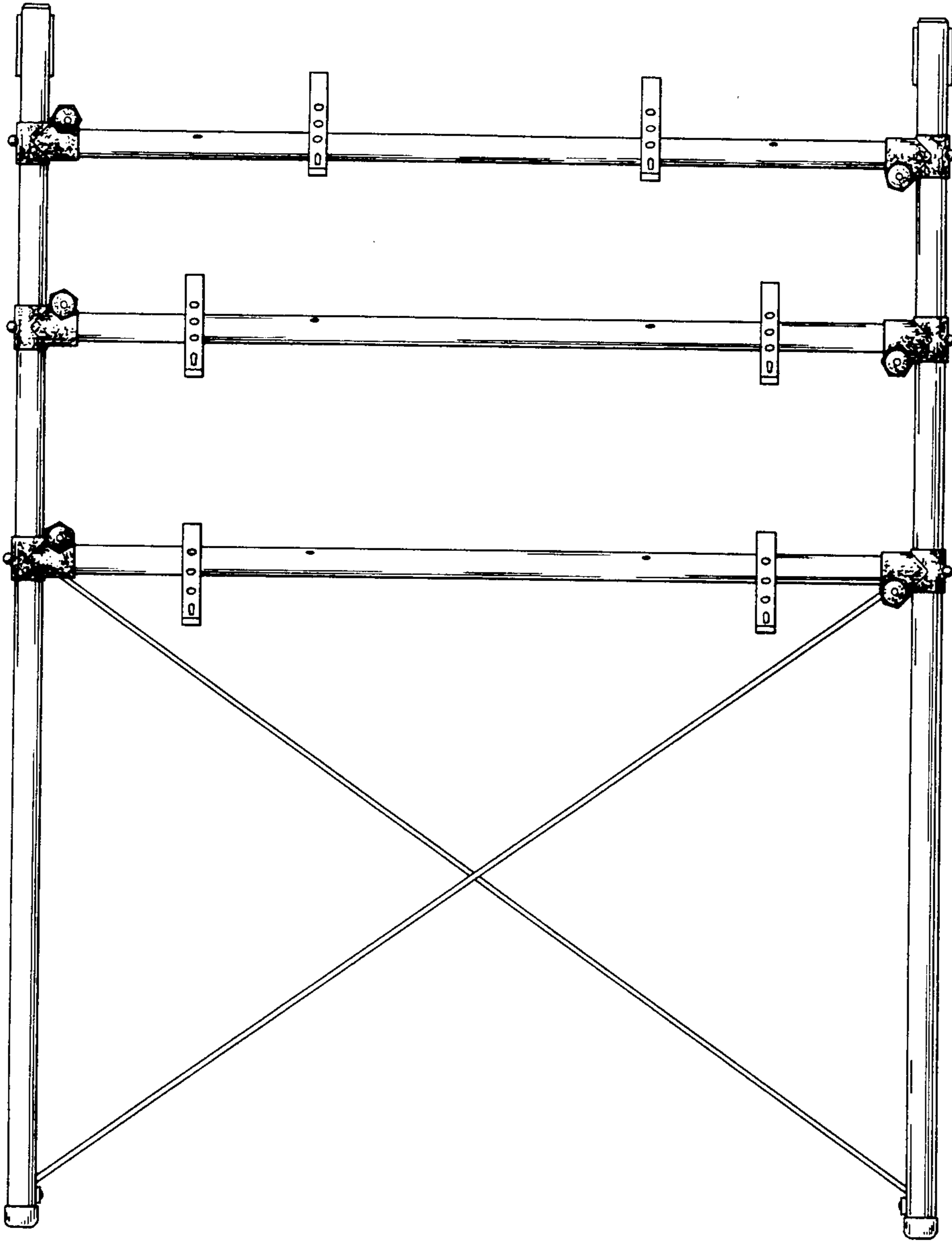


FIG. 2

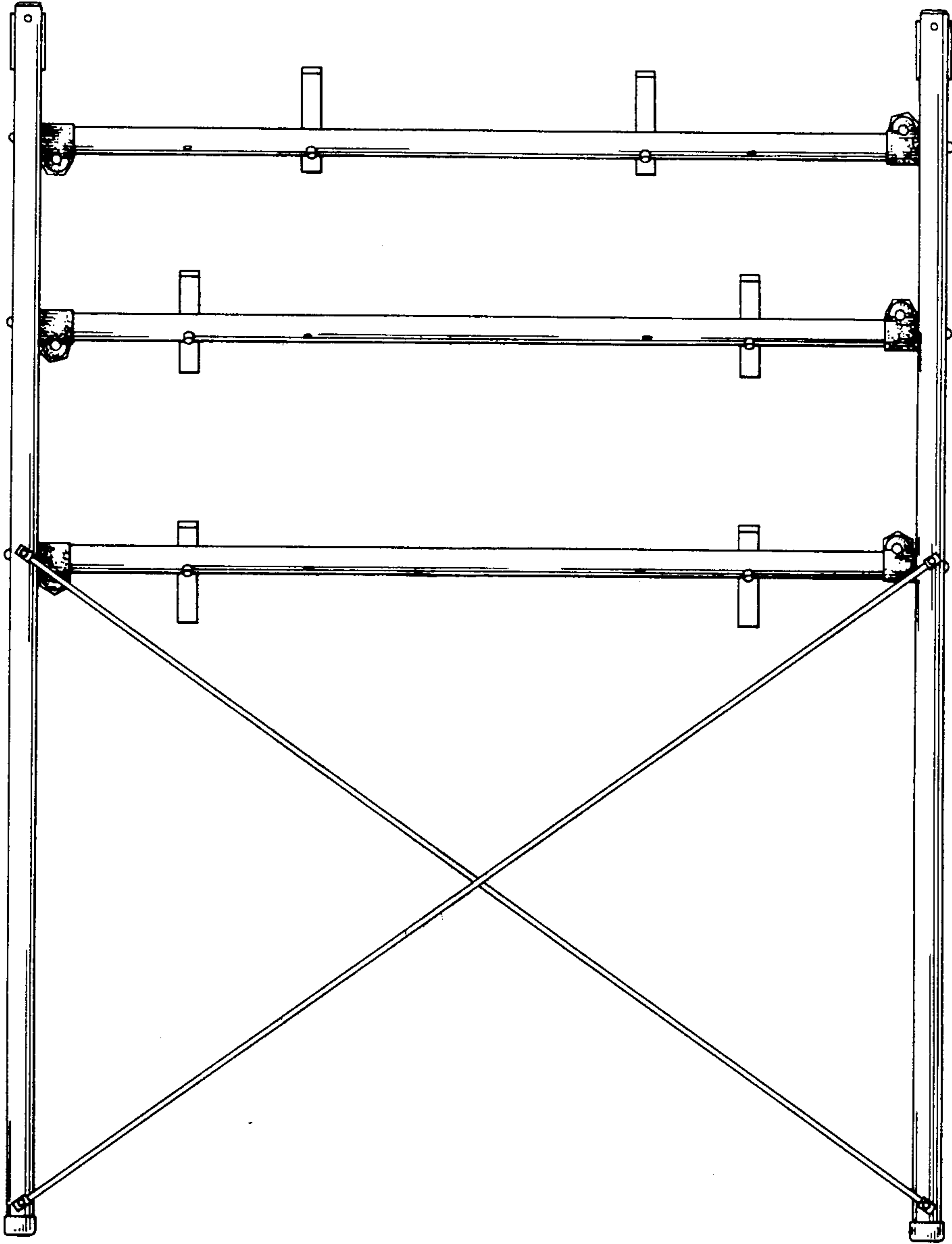


FIG. 3

FIG. 5

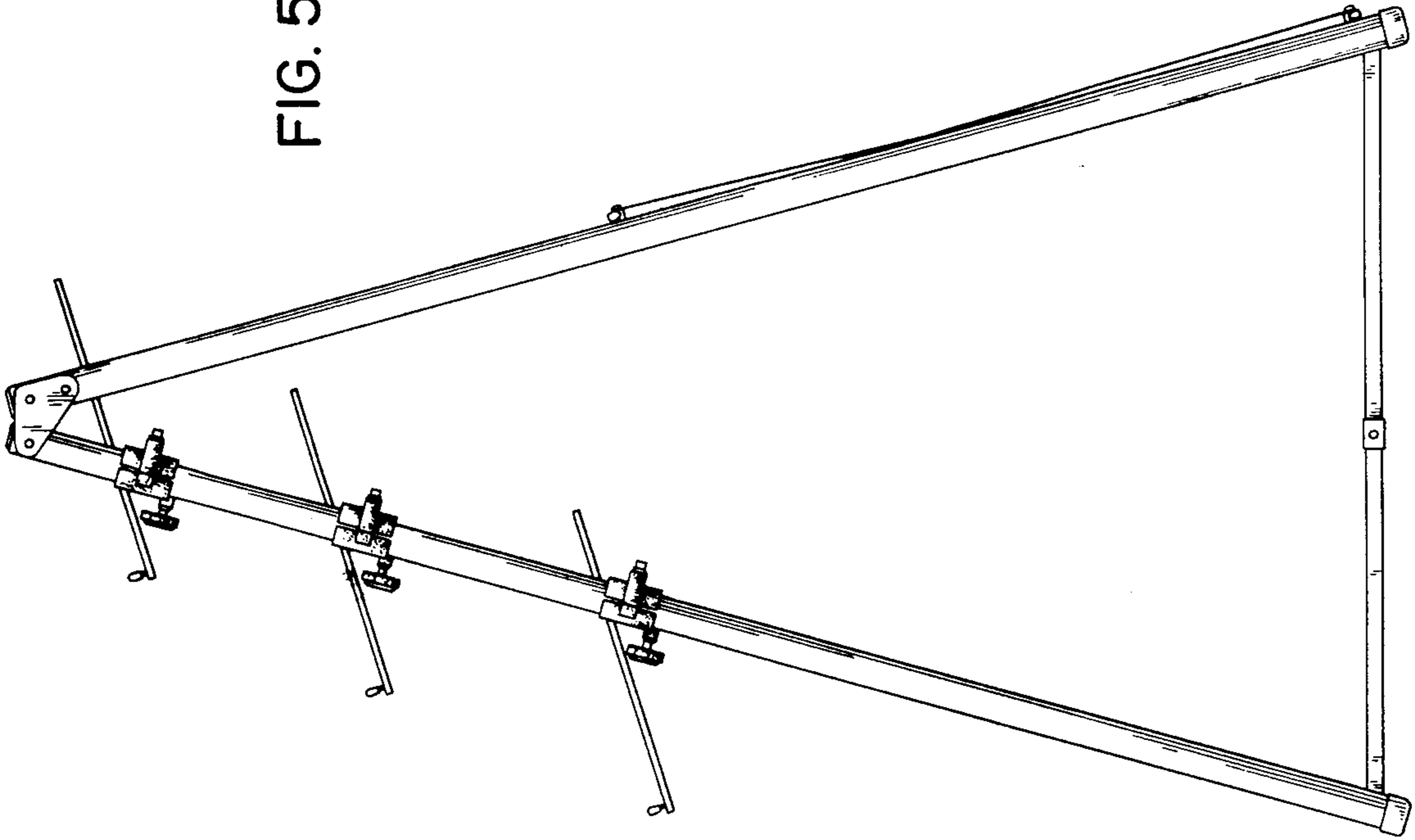
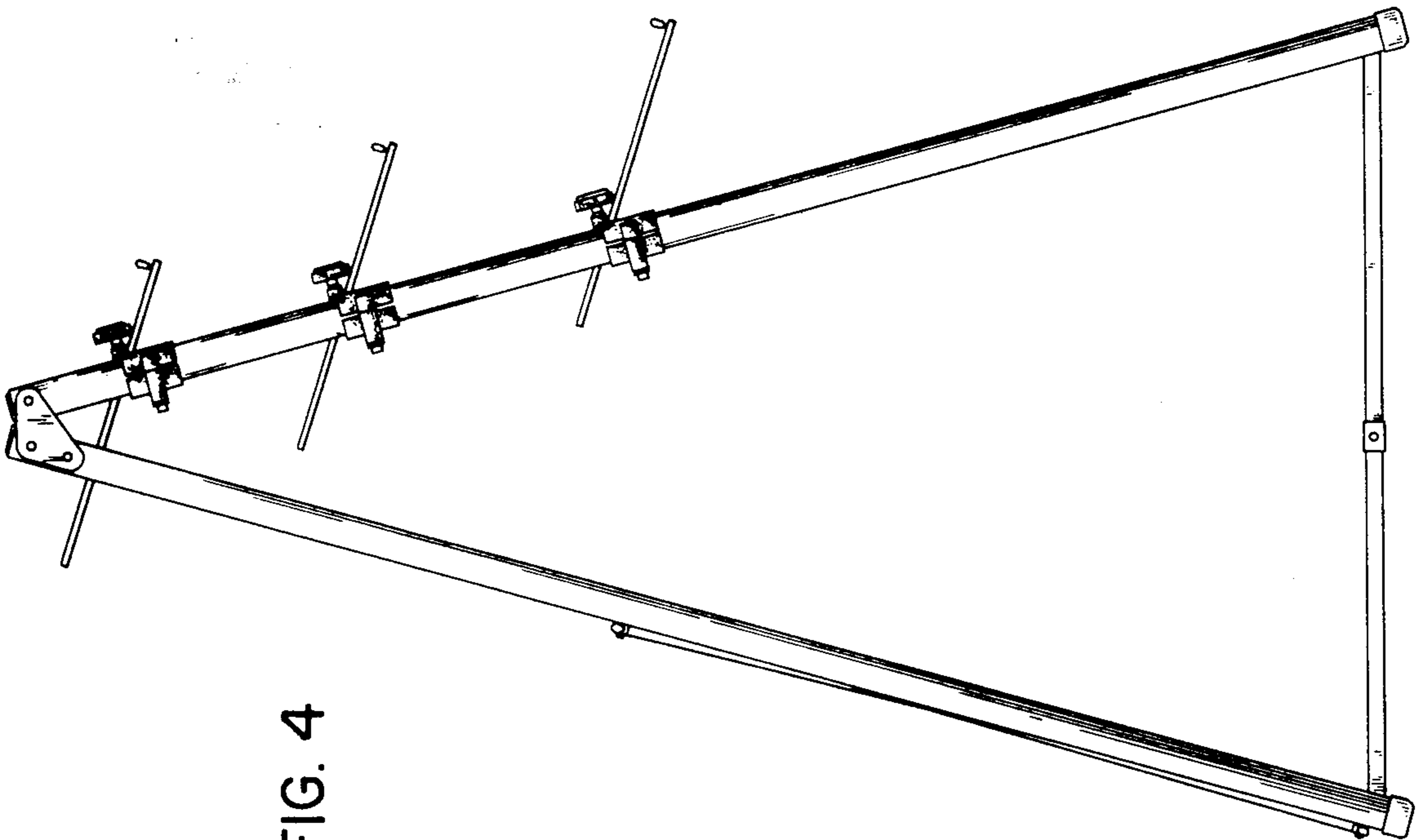


FIG. 4



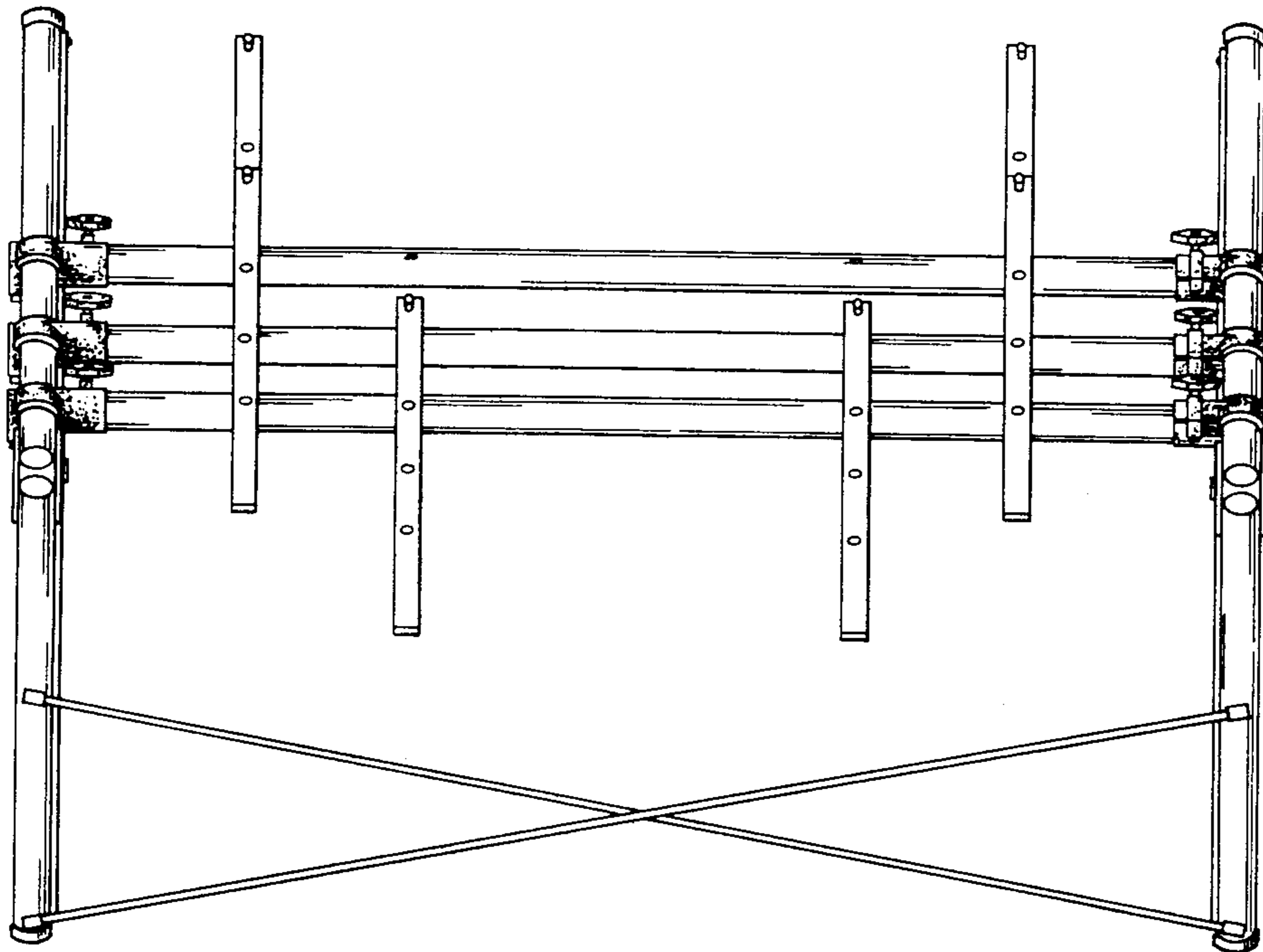


FIG. 6

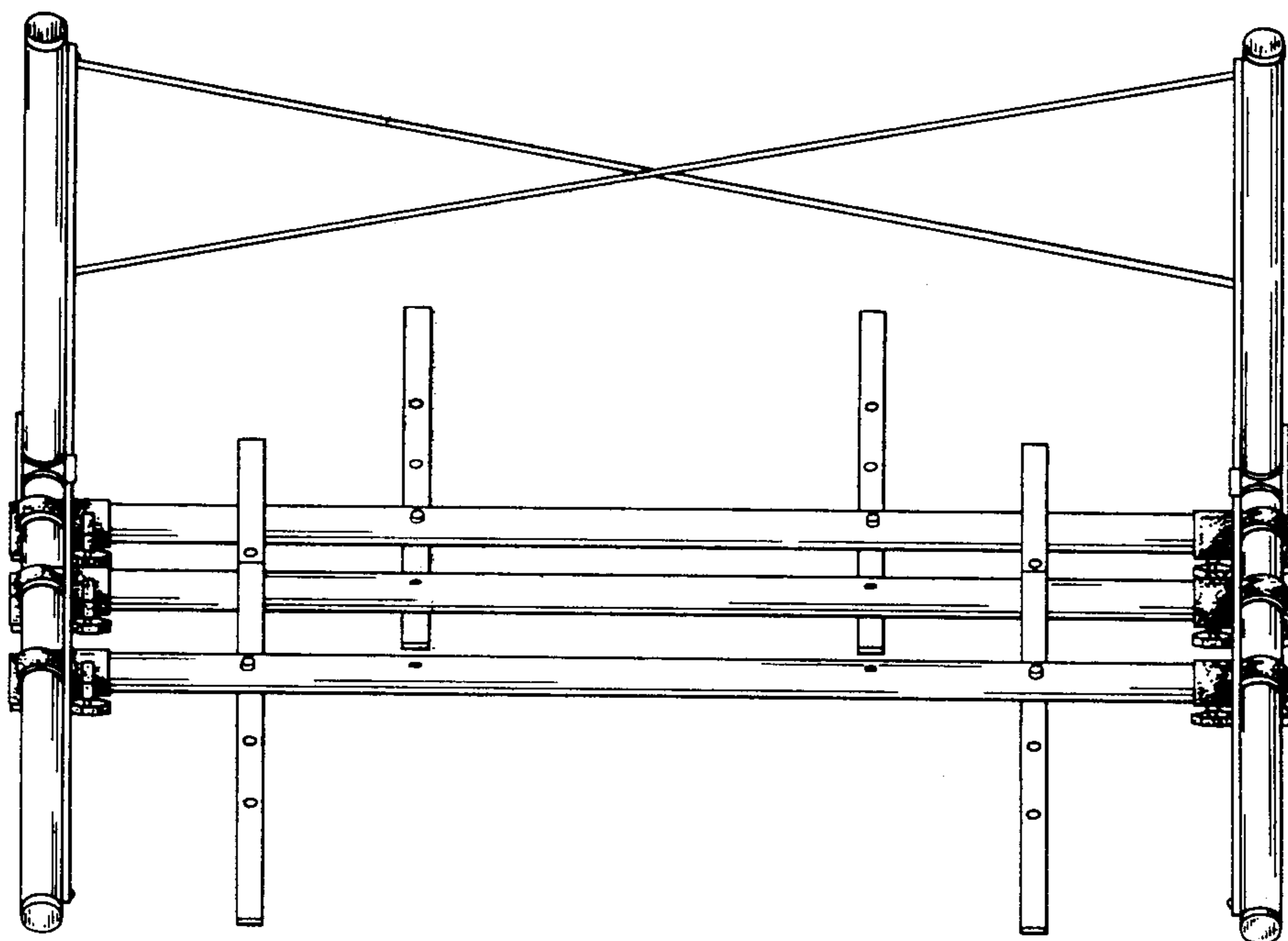


FIG. 7